

# Right Angle Mount Housing

## Technical Data

### HLMP-5029

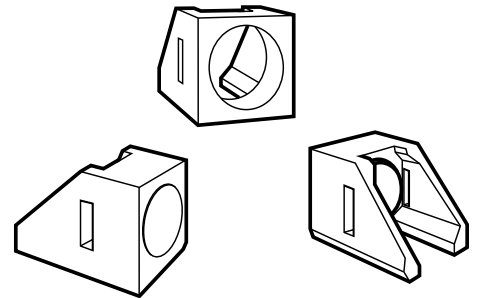
#### Features

- Fits Any Agilent High Dome T-1<sup>3</sup>/<sub>4</sub> LED Lamp
- Snap-In Fit Makes Mounting Simple
- High Contrast Black Plastic
- May be Ordered with Mounted T-1<sup>3</sup>/<sub>4</sub> Lamp as an Option
- Housing meets UL9V-0 Flammability Rating

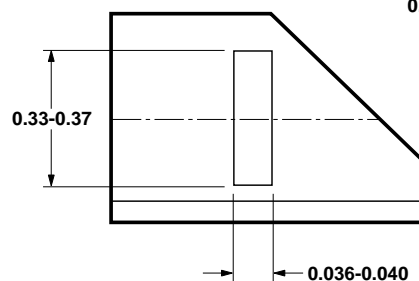
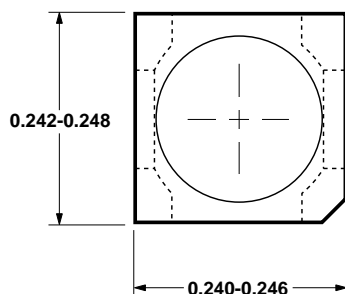
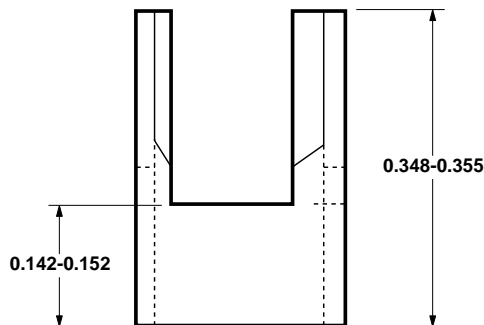
#### Description

The HLMP-5029 is a black plastic right angle housing which mates with Agilent high dome T-1<sup>3</sup>/<sub>4</sub> lamps. The leads should be prebent 90° as shown prior to snapping into the right angle housing.

The housing material is high temperature nylon capable of withstanding temperatures up to +150°C.

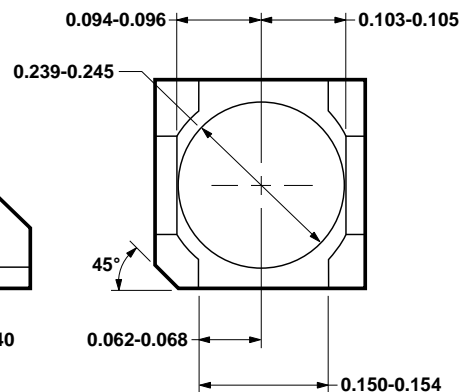


#### Physical Dimensions



OPTION NO.	CATHODE LEAD LENGTH	ANODE LEAD LENGTH	
B2	4.70 (0.185) 3.68 (0.145)	4.70 (0.185) 3.68 (0.145)	SHEARED EVEN LEADS
B1	20.32 (0.800) MIN.	1.27 (0.050) NOM. LONGER THAN CATHODE	UNSHEARED UNEVEN LEADS

- NOTES: 1. ALL DIMENSIONS ARE IN MILLIMETERS (INCHES).  
 2. LEAD WIDTH MAY BE 0.45 (0.018) OR 0.64 (0.025) SQUARE NOMINAL DEPENDING UPON PRODUCT TYPE.  
 3. OPTION 100 IS AVAILABLE FOR LONGER LEADS.



DIMENSIONS ARE IN INCHES.

As an option, T-1<sup>3</sup>/<sub>4</sub> lamps may be ordered pre-mounted into the HLMP-5029 housing with leads bent down 90° and sheared to length, see table. To order, select the lamp base, part number and affix the desired option code. For example, the HLMP-3300 HER lamp may be ordered pre-mounted into the HLMP-5029 housing with leads sheared to an even length. The part number for this option is:

**HLMP-3300-xxxB2.**

**[www.agilent.com/semiconductors](http://www.agilent.com/semiconductors)**

For product information and a complete list of distributors, please go to our web site.

For technical assistance call:

Americas/Canada: +1 (800) 235-0312 or  
(408) 654-8675

Europe: +49 (0) 6441 92460

China: 10800 650 0017

Hong Kong: (+65) 6271 2451

India, Australia, New Zealand: (+65) 6271 2394

Japan: (+81 3) 3335-8152(Domestic/International), or 0120-61-1280(Domestic Only)

Korea: (+65) 6271 2194

Malaysia, Singapore: (+65) 6271 2054

Taiwan: (+65) 6271 2654

Data subject to change.

Copyright © 2002 Agilent Technologies, Inc.

Obsoletes 5968-4122E

May 7, 2002

5988-6550EN