

FEATURES

- High Reliability
- Thermal Protection
- Small Packaging
- Standard Output Voltage Adjustment
(With External Potentiometer)
- Custom Control Chip Yields Compact Size with Low Cost

SPECIFICATIONS

INPUT

Voltage Range See Model Selection Table

Max. Input Current See Model Selection Table

OUTPUT

Output Voltage See Model Selection Table

Set Point ±2%

Regulation

Total ±5%

Noise & Ripple, (peak-to-peak)

5V Output 25 mV max.

12V Output 25 mV max.

Output Current See Model Selection Table

Short-Circuit Protection Foldback with automatic reset

Efficiency 75% - 91% (typ.)

Remote ON / OFF
Control Available

Instantaneous Output
Current 3.5A

ENVIRONMENTAL

Operating Ambient
Temp. -10 to +70°C (See Derating Chart)

Storage Temp. -30 to +85°C

Cooling Conditions With external heat sink

FUNCTIONS

Overload Protection Current limit (automatic reset)

Thermal Protection Standard

Remote ON/OFF Standard

Sync Operation Standard (with external circuit)

MODEL SPECIFICATIONS

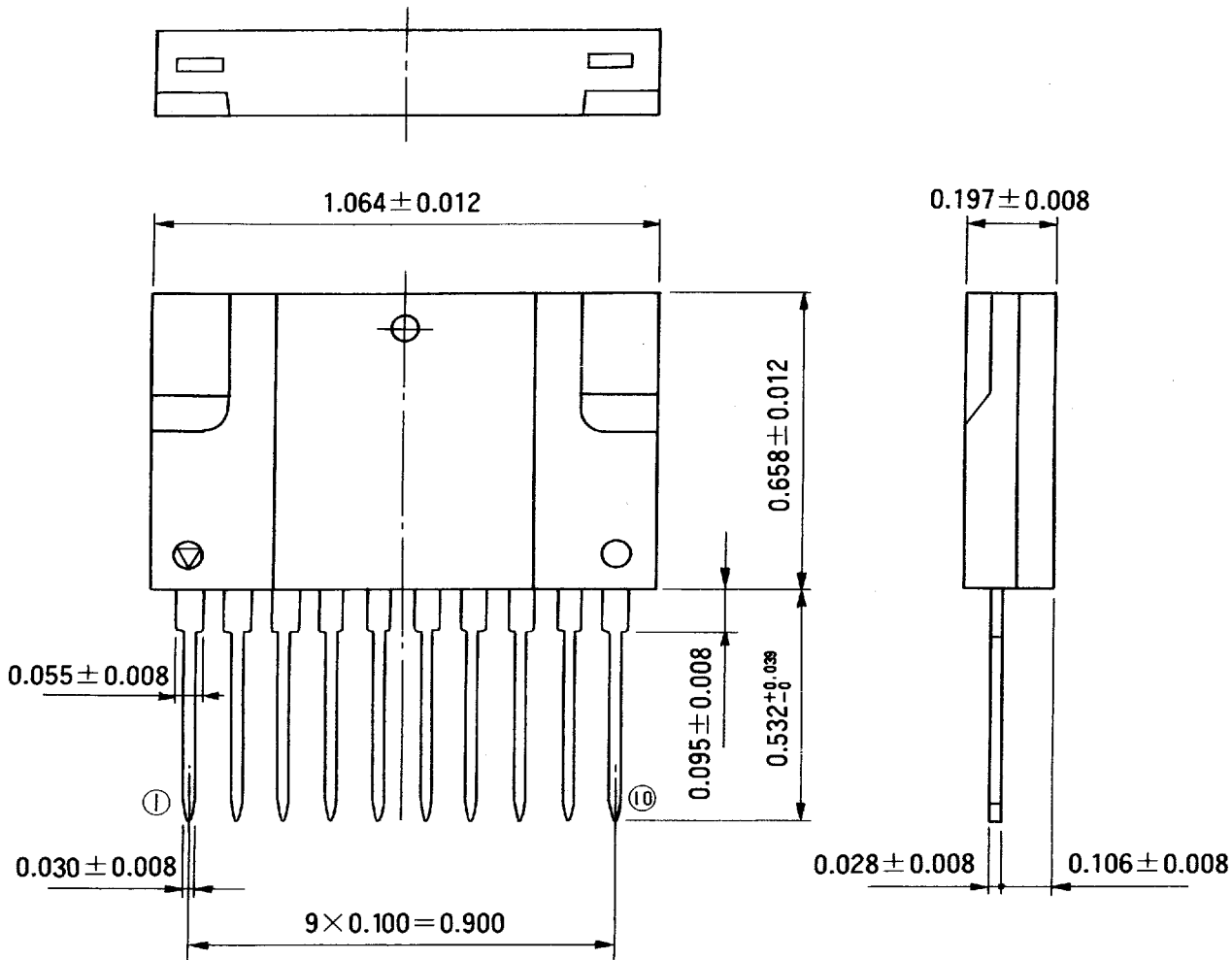
Output			Model and Input Range	
Volts	Range*	Amps	8-32 VDC	17-32 VDC
5	3 to 11	3.0/5A PK	HLD05003M	—
12	8 to 24	3.0/5A PK	—	HLE12003M

* With external potentiometer

8219387 0004037 374

MECHANICAL SPECIFICATIONS

Size (W x D x H) 0.66 x 1.06 x 0.20 inches (17 x 27 x 5 mm)
 Weight 0.3 oz (8.5 g)

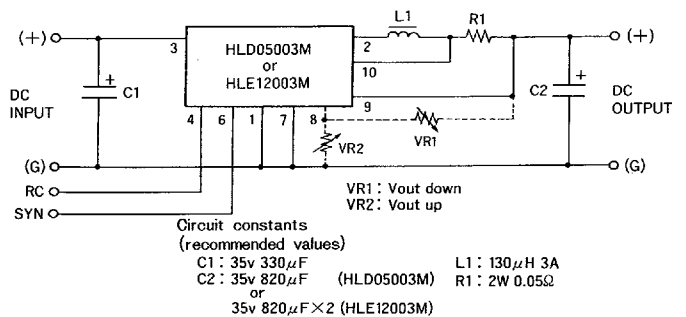


TERMINAL FUNCTION

No.	Function
1	Ground
2	Inductor connection
3	(+) Input
4	Remote control
5	No connection
6	Switching frequency synchronization control
7	Ground
8	Output voltage adjustment
9	(+) Output voltage detector
10	Current detector* (see note)

*Note: Do not connect when operating normally

STANDARD EXTERNAL CONNECTION DIAGRAM



Note 1 : When not using the remote control, please connect the RC terminal to the ground side for operation.

Note 2 : When not using the switching frequency synchronization control, please connect the SYN terminal to the ground side for operation.

Dimensions in inches; () Dimensions in mm.

8219387 0004038 200

For further product information call: West:1-800-634-3654, East:1-800-543-6525