



CS22220 Data Sheet

Wireless PCMCIA Controller

1 Description

The Cirrus Logic CS22220 Wireless Network Controller enables high performance, 11 Megabits per second digital wireless data connectivity for PCMCIA, mobile, embedded systems and other cost sensitive applications.

The CS22220 is a highly integrated single-chip PCMCIA solution for wireless networks supporting video, audio, voice, and data traffic. The programmable controller executes Cirrus Logic's Whitecap™2 networking protocol that provides Wi-Fi™ (802.11b) compliance as well as multimedia and quality of service (QoS) support. The device includes several high performance components including an ARM7TDMI RISC processor core, a Forward Error Correction (FEC) codec and a wireless radio MAC supporting up to 11 Mbps throughput. The CS22220 utilizes state of the art 0.18um CMOS process and is housed in a 208 FPBGA compact (15mm x 15mm) package, which has low-lead inductance suitable for highly integrated radio applications. The core is powered at 1.8 V with 3.3V (5.0V tolerant) I/O to reduce overall power consumption. In addition, the CS22220 supports low power management for the host and radio interfaces.

The CS22220 is designed to be an integral part of a PC card (PCMCIA 2.1/JEIDA 4.2). The PCMCIA host interface also supports both little endian and big endian protocol for easy interfacing to popular microprocessors in embedded system applications.

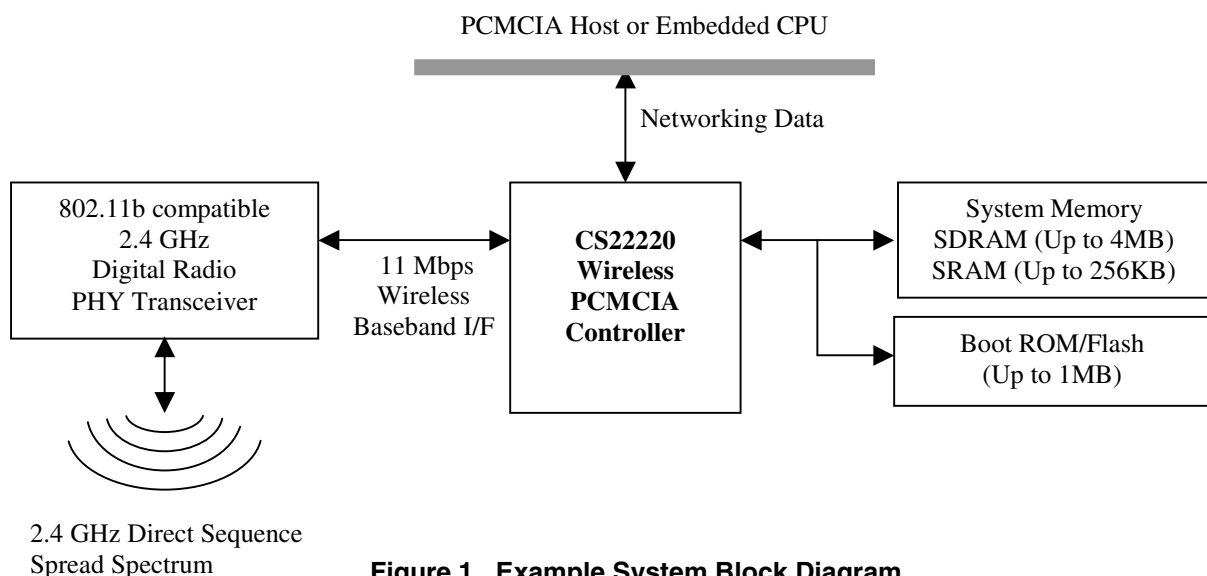


Figure 1. Example System Block Diagram

2 Features

Embedded ARM Core and System Support Logic

- High performance ARM7TDMI RISC processor core up to 77MHz
- 4KB integrated, one-way set associative, unified, write through cache
- Individual interrupt for each functional block
- Two 23-bit programmable (periodic or one-shot) general purpose timers
- 8 Dword (32-bits) memory write and read buffers for high system performance
- Abort cycle detection and reporting for debugging
- ARM performance monitoring function for system fine-tuning
- Programmable performance improvement logic based on system configuration

Enhanced Memory Controller Unit

- Programmable memory controller unit supporting SDRAM /async SRAM/Boot ROM/Flash interface
- 16-bit data bus with 12-bit address supporting up to 4MB up to 103 MHz (100/133MHz SDRAM)
- 8-bit data bus with addressing support up to 1MB of boot ROM/Flash.
- Programmable SDRAM timing and size parameters such as CAS latencies and number of banks, columns, and rows
- Flexible independent DMA engines for PCMCIA and digital radio functional units

FEC codec

- High performance Reed-Solomon coding for error correction (255:239 block coding)
- Reduces error probability of a typical 10e-3 error rate environment to 10e-9
- Programmable rate FEC engine to optimize channel efficiency
- Low latency, fully pipelined hardware encoding and decoding. Supports byte-wise single cycle throughput up to 77MHz, with a sustain rate of 77MBps.
- Double buffering (63 Dword read/write buffer) to enhance system performance

Digital Radio MAC Interface

- Glue-less interface to 802.11b baseband transceivers
- Up to 11Mbps data rates
- 32 Dword transmit/receive FIFO
- Supports clear channel assessment (CCA)

Power Management

- Host (PCMCIA) ACPI compliant
- Programmable sleep timer for ARM core and system low power management
- Independent power management control for individual functional units
- Supports variable rate radio transmit, receive, and standby radio power modes

Clock and PLL Interface

- Single 44MHz crystal oscillator reference clock
- Internal PLL to generate internal and on board clocks

PCMCIA Interface

- 16 bit PCMCIA I/O target device supporting memory map or program I/O using 11 address bits
- Independent DMA controller to transfer data between PCMCIA and main memory
- Fully compliant with PCMCIA 2.1/JEIDA 4.2 standard
- Supports big endian and little endian (default) data formats
- Supports custom mode for embedded applications where the interface becomes a generic memory address/data interface

Chip Processing and Packaging

- 208 FPBGA package and 0.18um state of the art CMOS process
- 1.8 V core for low power consumption. 3.3V I/O - 5V tolerant I/O

IMPORTANT NOTICE

"Preliminary" product information describes products that are in production, but for which full characterization data is not yet available. "Advance" product information describes products that are in development and subject to development changes. Cirrus Logic, Inc. and its subsidiaries ("Cirrus") believe that the information contained in this document is accurate and reliable. However, the information is subject to change without notice and is provided "AS IS" without warranty of any kind (express or implied). Customers are advised to obtain the latest version of relevant information to verify, before placing orders, that information being relied on is current and complete. All products are sold subject to the terms and conditions of sale supplied at the time of order acknowledgment, including those pertaining to warranty, patent infringement, and limitation of liability. No responsibility is assumed by Cirrus for the use of this information, including use of this information as the basis for manufacture or sale of any items, or for infringement of patents or other rights of third parties. This document is the property of Cirrus and by furnishing this information, Cirrus grants no license, express or implied under any patents, mask work rights, copyrights, trademarks, trade secrets or other intellectual property rights. Cirrus owns the copyrights of the information contained herein and gives consent for copies to be made of the information only for use within your organization with respect to Cirrus integrated circuits or other parts of Cirrus. This consent does not extend to other copying such as copying for general distribution, advertising or promotional purposes, or for creating any work for resale.

An export permit needs to be obtained from the competent authorities of the Japanese Government if any of the products or technologies described in this material and controlled under the "Foreign Exchange and Foreign Trade Law" is to be exported or taken out of Japan. An export license and/or quota needs to be obtained from the competent authorities of the Chinese Government if any of the products or technologies described in this material is subject to the PRC Foreign Trade Law and is to be exported or taken out of the PRC.

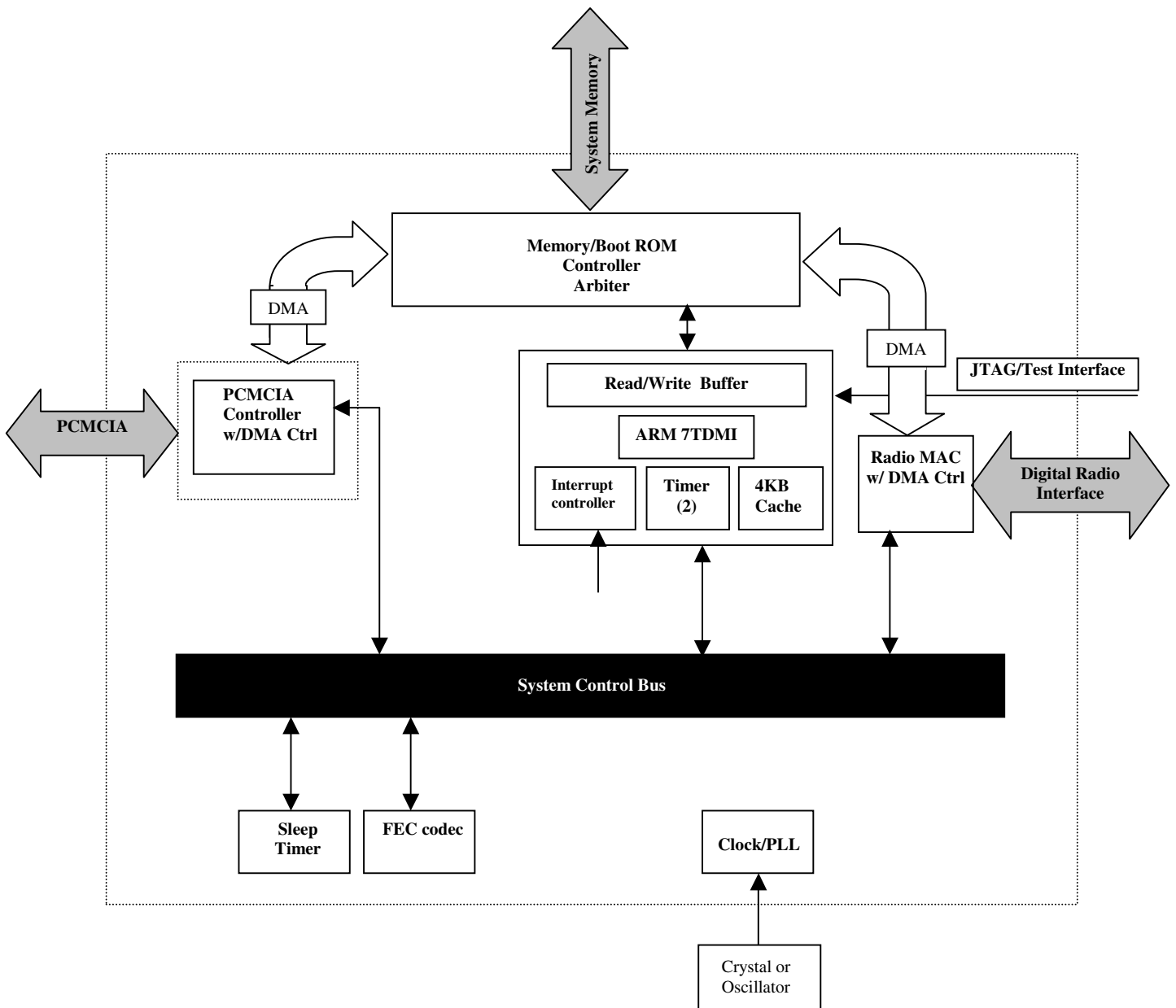
CERTAIN APPLICATIONS USING SEMICONDUCTOR PRODUCTS MAY INVOLVE POTENTIAL RISKS OF DEATH, PERSONAL INJURY, OR SEVERE PROPERTY OR ENVIRONMENTAL DAMAGE ("CRITICAL APPLICATIONS"). CIRRUS PRODUCTS ARE NOT DESIGNED, AUTHORIZED, OR WARRANTED TO BE SUITABLE FOR USE IN LIFE-SUPPORT DEVICES OR SYSTEMS OR OTHER CRITICAL APPLICATIONS. INCLUSION OF CIRRUS PRODUCTS IN SUCH APPLICATIONS IS UNDERSTOOD TO BE FULLY AT THE CUSTOMER'S RISK.

Cirrus Logic, Cirrus, and the Cirrus Logic logo designs are trademarks of Cirrus Logic, Inc. All other brand and product names in this document may be trademarks or service marks of their respective owners.

Use of this product in any manner that complies with the MPEG-2 video standard as defined in ISO documents IS 13818-1 (including annexes C, D, F, J, and K), IS 13818-2 (including annexes A, B, C, and D, but excluding scalable extensions), and IS 13818-4 (only as it is needed to clarify IS 13818-2) is expressly prohibited without a license under applicable patents in the MPEG-2 patent portfolio, which license is available from MPEG LA, L.L.C. 250 Steele Street, Suite 300, Denver, Colorado 80296.

3 Functional Description

Figure 2. Block Diagram of Major Functional Units



3.1 Embedded ARM Core and System Support Logic

The processing elements of the CS22220 include the ARM7TDMI core and its associated system control logic. The ARM processor and system controller consists of a memory management unit, 4-KB write through cache controller, 20 IRQ and 4 FIRQ interrupt controller, and 2 general purpose timers. The ARM processor and integrated system support logic provide the necessary execution engine to support a real time multi-tasking operating system, the network protocol stack, and firmware services.

Memory Management Unit

ARM instructions and data are fetched from system memory a cache-line (4/8 – Dwords /Programmable) at a time when caching is turned on. During a cache line fill, critical word data, i.e., the access that caused the miss, is forwarded to the ARM and also written into the data RAM cache. The non-critical words in the line fetched following the critical word are then written to the cache on a Dword basis, as they become available.

Memory writes are posted to dual 4-Dwords (32-bit) memory write posting buffers. Write posts use the sequential addressing feature on the memory bus. With dual buffering an out of sequence write will post to one write buffer while the other buffer is flushed to memory.

There is one 8Dword Read Buffer in the MEM block. The buffer is used for both cacheable and non-cacheable memory space.

Interrupt Controller

The interrupt controller provides two interrupt channels to the ARM processor. One interrupt channel is presented to the ARM on its *nFIQ*, and the other channel is presented on its *nIRQ* pin. These are referred to as the FIQ channel and the IRQ channel. Both channels operate in identical but independent fashion. The FIQ channel has a higher priority on the ARM processor than the IRQ channel.

The interrupt controller includes a CONTROL register for each logical interrupt in the ARM Complex. The CONTROL register serves the following main purposes:

- Provides the mapping between the EXT_INT inputs (physical interrupts) and the logical interrupt
- Selects the particular type of signaling expected on the EXT_INT inputs: level, edge, active level high/low etc.
- Enable or disable a logical interrupt

3.2 Digital Radio Interface

The CS22220 digital radio MAC I/F supports multiple radio baseband and RF interfaces. The baseband registers can be programmed during the configuration time using the control port interface. The MAC also provides the capability of programming the signal, service and length on per packet basis without ARM intervention. This significantly improves the performance of the system.

There are three primary digital interface ports for the CS22220 that are used for configuration and during normal operation.

These ports are:

- The Control Port, which is used to configure, set power consumption modes, write and/or read the status of the radio base band registers.
- The TX Port, which is used to output the data that needs to be transmitted from the network processor.
- The RX Port, which is used to input the received demodulated data to the network processor

3.3 FEC Codec

The FEC codec performs Reed-Solomon coding to protect the data before it is transmitted to a noisy channel. It is a similar code as employed by the digital broadcast industry, such as ITU-T J.83 for DVB. The RS(255, 8) code implemented by the CS22220 can reduce error probability to $1/10e-9$ in a typical $1/10e-3$ error rate environment. The encoder/decoder can be programmed to vary the coding block length (N) and correctable error (t) to optimize the tradeoff between channel utilization and data protection. The range of N is currently set to be from 20 to 255, and the t is 8. The symbol size is fixed at 8 bits.

Coding parameters can be set real time, allowing maximum flexibility for the system to adjust the FEC setting, such as block size, in order to optimize channel efficiency. The encoder also has a very low latency of two cycles. Both the encoder and decoder are fully pipelined in structure to achieve single cycle throughput. The FEC can be disabled in firmware.

3.4 Programmable Memory Controller

The CS22220 incorporates a general-purpose memory controller. The memory controller supports both SDRAM/async SRAM memory interface and a FLASH memory interface.

In the RAM configuration, the system memory interface supports up to 4-Mbyte of 16-bit SDRAM running at frequency up to 103 MHz (using 133MHz SDRAM) single-state access cycles or 256KB of 16 bit async SRAM. The memory controller provides programming of SDRAM parameters such as CAS latency, refresh rate and etc; these registers are located in miscellaneous configuration registers. The CS22220 memory controller supports the power saving feature of the SDRAM by toggling the clock enable (CKE) signal. When there are no pending memory requests from any internal requester, the CS22220 will keep CKE low to cause the SDRAM to stay in power down mode. Once a memory request is active, the CS22220 will assert CKE high to cause the SDRAM to come out of power down mode. Typically, this can reduce memory power consumption by up to 50%.

In ROM configuration, firmware for CS22220 is stored in non-volatile memory and is accessed through the boot ROM interface. The maximum addressable ROM space supported is 1MB. ROM read/write and output enable are shared with RAM control pins.

3.5 PCMCIA Interface

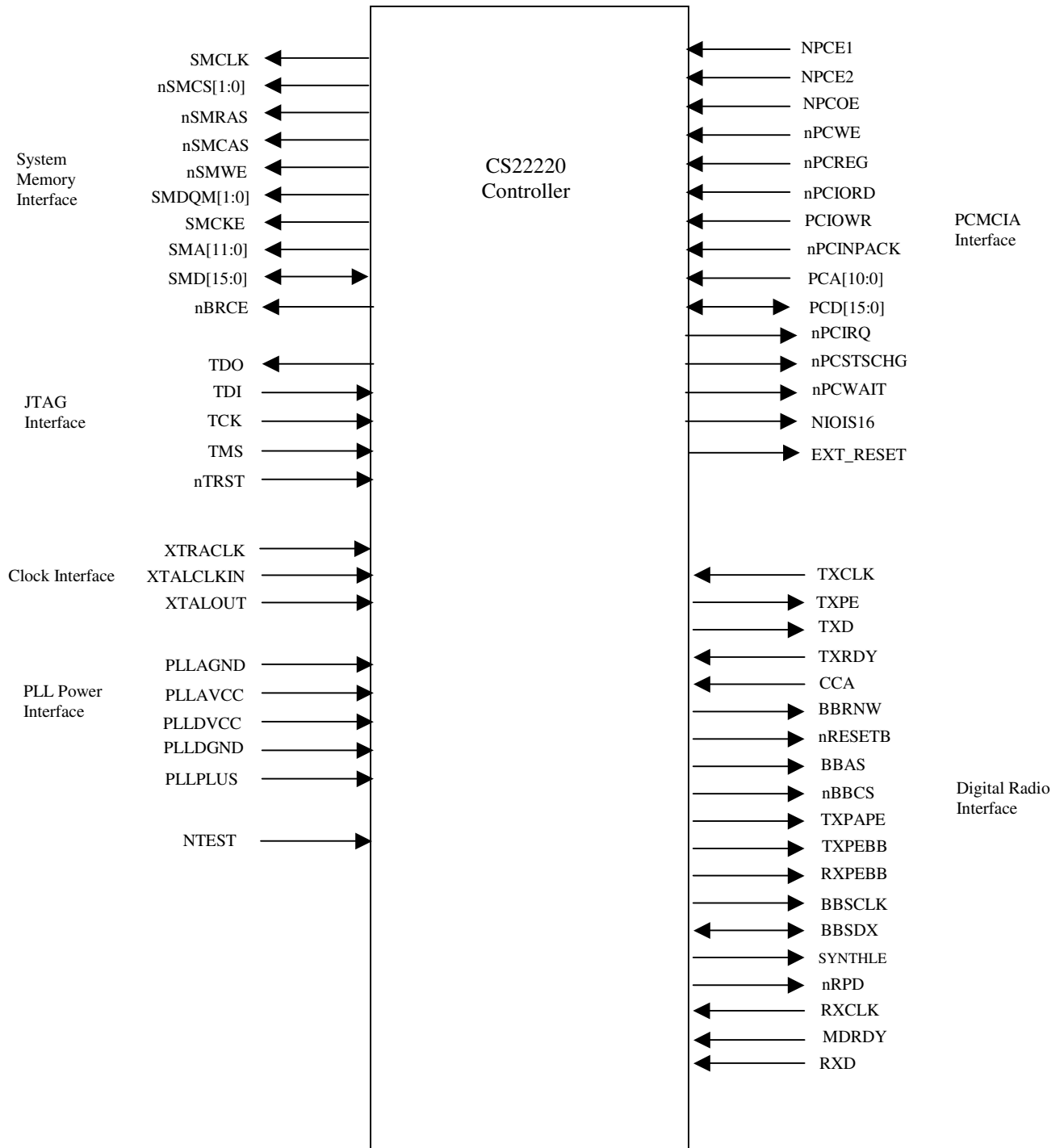
The PC-Card interface implemented in Cirrus Logic CS22220 is fully compliant with PCMCIA 2.1/JEIDA 4.2. The interface supports 16 data bits PCMCIA program I/O and memory mapped accesses using 11 address bits. PCMCIA interface allows laptop users to connect to home network to access data and multimedia streams with ease. The interface provides both memory and I/O access.

The PCMCIA interface incorporates an independent DMA controller to transfer data to/from the main memory. The ARM has the flexibility in controlling how often it is interrupted and simplifies the packet transmit/receive protocol. The DMA controller is programmed during power up.

The CS22220 PCcard interface incorporates a custom mode, which can be used for embedded applications, by bypassing the standard PC card Pnp configuration requirements. This interface thus becomes a generic asynchronous 16 bit data interface. This mode is useful when interfacing the CS22220 wireless network controller directly to an embedded micro-controller capable of supporting a 16 bit data bus.

4 Pinout and Signal Descriptions

Figure 3. CS22220 Logical Pin Groupings



This section provides detailed information on the CS22220 signals. The signal descriptions are useful for hardware designers who are interfacing the CS22220 with other devices.

System Memory Interface

The system memory interface supports standard SDRAM interface, async SRAM and FLASH. There are a total of 38 signals in this interface.

SMCLK	Output
System mem clock for SDRAM. Currently the interface supports 100 MHz for a maximum bandwidth of 200Mbytes/sec.	
nSMCS0	Output
Chip select bit 0. This signal is used to select or deselect the SDRAM for command entry. When SMNCS is low it qualifies the sampling of nSMRAS, nSMCAS and nSMWE. Also, used as testmode(2) when NTEST pin is '0'.	
nSMCS1	Output
Chip select bit 1.	
nBRCE	Output
Chip select for ROM access. This signal is used to select or deselect the boot ROM memory.	
nSMRAS	Output
Row address select. Used in combination with nSMCAS, nSMWE and nSMCS to specify which SDRAM page to open for access. Also used during reset to latch in the strap value for clk_bypass; if set to a '1' implies bypassing clock module; whatever clk is applied on the input clock is used for memclk and ctlclk. Also shared as the ROMOE signal.	
nSMCAS	Output
Column address select. Used in combination with nSMRAS, nSMWE and nSMCS to specify which piece of data to access in selected page. Also used during reset to latch in the strap value for same_freq; if set to a '1' implies internal mem_clk and arm_clk are running at the same frequency and 180 degrees out of phase.	
nSMWE	Output
Write enable. Used in combination with nSMRAS, nSMCAS, and nSMWE to specify whether the current cycle is a read or a write cycle. Also used during reset to latch in the strap value for tst_bypass; if set to a '1' implies PLL bypass. Also shared as the ROMWE to do flash programming.	

SMDQM[1:0]	Output
<p>Data mask bit 1:0. These signals function as byte enable lines masking unwanted bytes on memory writes. Also, used as testmode(1:0) when NTEST pin is '0'.</p>	
SMCKE	Output
<p>Clock enable. SMCKE is used to enable and disable clocking of internal RAM logic.</p>	
SMA0	Output
<p>Address bit0. The address bus specifies either the row address or column address. Also, this is shared as boot-ROM address bit0. Also used during reset to latch in the strap value for pccsel, if set to a '1' implies pccard mode</p>	
SMA1	Output
<p>Address bit1. Also, this is shared as boot-ROM address bit1. This pin should be pull-down.</p>	
SMA2	Output
<p>Address bit2. Also, this is shared as boot-ROM address bit2. This pin should be pull-down.</p>	
SMA3	Output
<p>Address bit3. Also shared as boot-ROM address bit3. This pin should be pull-down.</p>	
SMA4	Output
<p>Address bit4. Also shared as boot-ROM address bit4. Also used during reset to latch in the strap value for romcfg; if set to a '1' implies pccard configuration data should be downloaded from ROM.</p>	
SMA5	Output
<p>Address bit5. Also shared as boot-ROM address bit5. Also used during reset to latch in the strap value for test_rst_enb; if set to a '0' implies normal operation mode.</p>	
SMA6	Output
<p>Address bit6. Also shared as boot-ROM address bit6. Also used during reset to latch in the strap value for freq_sel(0). Freq_sel(2:0) is used to select the multiplication factor for the internal PLL (000=1x, and 111=8x).</p>	

SMA7	Output
Address bit7. Also shared as boot-ROM address bit7. Also used during reset to latch in the strap value for freq_sel(1). Freq_sel(2:0) is used to select the multiplication factor for the internal PLL (000=1x, and 111=8x).	
SMA8	Output
Address bit8. Also shared as boot-ROM address bit8. Also used during reset to latch in the strap value for freq_sel(2). Freq_sel(2:0) is used to select the multiplication factor for the internal PLL (000=1x, and 111=8x).	
SMA9	Output
Address bit9. Also shared as boot-ROM address bit9. Also used during reset to latch in the strap value for sdram_delay(0). Sdram_delay(2:0) is used to select the delay factor for the internal memory clock (000=0ns, and 111=1.75ns with each .25ns increments).	
SMA10	Output
Address bit10. Also shared as boot-ROM address bit10. Also used during reset to latch in the strap value for sdram_delay(1). Sdram_delay(2:0) is used to select the delay factor for the internal memory clock (000=0ns, and 111=1.75ns with each .25ns increments).	
SMA11	Output
Address bit11. Also shared as boot-ROM address bit11. Also used during reset to latch in the strap value for sdram_delay(2). Sdram_delay(2:0) is used to select the delay factor for the internal memory clock (000=0ns, and 111=1.75ns with each .25ns increments).	
SMD[7:0]	Bi-directional
Data bus. The data bus contains the data to be written to memory on a write cycle and the read return data on a read cycle.	
SMD[15:8]	Bi-directional
Shared data bus. The data bus contains the data to be written to RAM memory on a write cycle and the read return data on a read cycle. Data bit [15:8] is also shared as boot ROM address bit [19:12].	

Digital Radio Interface

All radio input buffers are Schmitt triggered input buffers. There are total of 26 signals in this interface.

TXCLK	Input
Transmit clock is a clock input from the radio baseband processor. This signal is used to clock out the transmit data on the rising edge of TXCLK.	

TXPEBB	Output
<p>Baseband transmit power enable, an output from the MAC to the radio baseband processor. When active, the baseband processor transmitter is configured to be operational, otherwise the transmitter is in standby mode.</p>	
TXD	Output
<p>It is the serial data output from the MAC to the radio baseband processor. The data is transmitted serially with the LSB first. The data is driven by the MAC on the rising edge of TXCLK and is sampled by the radio baseband processor on the falling or rising edge of TXCLK depending on baseband requirements.</p>	
TXRDY	Input
<p>Transmit data ready is an input to the MAC from the radio baseband processor to indicate that the radio baseband processor is ready to receive the data packet over the TXD signal. The signal is sampled by the MAC on the rising edge of TXCLK.</p>	
CCA	Input
<p>Clear channel assessment is an input from the radio baseband processor to signal that the channel is clear to transmit. When this signal is a 0, the channel is clear to transmit. When this signal is a 1, the channel is not clear to transmit. This helps the MAC to determine when to switch from receive to transmit mode.</p>	
BBRNW	Output
<p>Baseband read/write is an output from the MAC to indicate the direction of the SD bus when used for reading or writing data. This signal has to be setup to the rising edge of BBSCLK for the baseband processor and is driven on the rising edge of the ARMCLK corresponding the falling edge of BBSCLK.</p>	
nRESETBB	Output
<p>Baseband reset is an output of the MAC to reset the baseband processor.</p>	
BBAS	Output
<p>Baseband address strobe is used to envelop the address or the data on the BBSDX bus. A logic 1 envelops the address and a logic 0 envelops the data. This signal has to be setup to the rising edge of BBSCLK for the baseband processor and is driven on the falling edge of BBSCLK.</p>	
nBBCS	Output
<p>Baseband chip select is an active low output to activate the serial control port. When inactive the SD, BBSCLK, BBAS and BBRNW signals are 'don't cares'.</p>	

TXPAPE	Output
Radio power amplifier power enable is a software-controlled output. This signal is used to gate power to the power amplifier.	
TXPE	Output
Radio transmit power enable indicates if transmit mode is enabled. When low, this signal indicates transmitter is in standby mode.	
RXPEBB	Output
Baseband receive power enable is an output that indicates if the MAC is in receive mode. Output to baseband processor enables receive mode in baseband processor.	
BBSCLK	Output
Baseband serial clock is a programmable output generated by dividing ARM_CLK by 14 (default). This clock is used for the serial control port to sample the control and data signals.	
BBSDX	Bi-directional
Baseband serial data is a bi-directional serial data bus, which is used to transfer address and data to/from the internal registers of the baseband processor.	
SYNTHLE	Output
Synthesizer latch enable is an active high signal used to send data to the synthesizer.	
nRPD	Output
Radio power down enable. This active low signal is used to power management purpose for the radio circuitry.	
RXCLK	Input
This is an input from the baseband processor. It is used to clock in received data from baseband processor.	
MDRDY	Input
Receive data ready is an input signal from the baseband processor, indicating a data packet is ready to be transferred to the MAC. The signal returns to an inactive state when there is no more receiver data or when the link has been interrupted. This signal is sampled on the falling or rising edge of RXCLK depending on baseband requirements.	
RXD	Input
Receive data is an input from the baseband processor transferring demodulated header information and data in a serial format. The data is frame aligned with MD_RDY. This signal is sampled on the falling or rising edge of RXCLK depending on baseband requirements.	

DACAVCC		Input
	Analog power for DAC. This is 3.3V.	

DACAGND		Input
	Analog ground for DAC.	

PLL and Clock Interface

There are three clock pins and five PLL power pins. There are a total of 8 signals in this interface.

XTAL_CLKIN		Input
	44 MHz reference clock input/crystal clock input.	

XTALOUT		Input
	Reference crystal clock output.	

XTRCLK		Input
	Second clock input to the clock module. This input clock is used depending on the clock configuration, which is determined by three strapping pin values.	

PLLAGND		Input
	Analog PLL ground.	

PLLAVCC		Input
	Analog PLL power. This is 3.3V.	

PLLDGND		Input
	Digital PLL ground.	

PLLDVCC		Input
	Digital PLL power. This is 1.8V.	

PLLPLUS		Input
	Analog PLL ground.	

PC Card Interface

The PC Card interface is PCMCIA 2.1 fully compliant interface. The following provides detail pin description.

PCD[15:0]	Bi-directional
Data lines. The data bus contains the data to be written on a write cycle and the read return data on a read cycle.	
PCA[10:0]	Input
Address lines. Signal PCA[10:0] are address bus input lines. PCA10 is the most significant bit. During memory word access mode, A0 is not used. During I/O word access cycle, A0 must be negated.	
nPCE[2:1]	Input
Card enable. These lines are active low input signals. nPCE1 enables even numbered addresses and nPCE2 enables odd numbered addresses.	
nPOE	Input
Output enable. This signal is used to gate memory read data from memory card.	
nPCWE	Input
Write enable. This is active low input signal is used for strobing memory write data into the memory card.	
nPCREG	Input
Attribute memory select. Assertion of this signal indicates the access is limited to attribute memory and to I/O space. Attribute memory is a separate accessed section of card memory and is generally used to record card capacity and other configuration and attribute information.	
nPCIREQ	Output
Interrupt request. This signal is asserted to indicate to the host system that a PC card device requires host software service.	
nPCSTSCHG	Output
PC card status changed – Not supported. This pin is used as a mode strap pin. When asserted during reset, PC CARD I/F uses the big endian protocol; otherwise pulled low (Default), it uses the little endian protocol.	

nPCWAIT		Output
	The wait signal is asserted by a PC card to delay completion of the memory access or I/O access.	
nIOIS16		Output
	The nIOIS16 output signal is asserted when the address at the socket corresponds to an I/O address to which the card responds, and the I/O port addressed is capable of 16-bit access.	
nPCINPACK		Output
	Input port acknowledge. This output signal is asserted when the PC card is selected and can respond to an I/O read cycle at the address on the address bus.	
nPCIORD		Input
	The host asserts nIORD to read data from a PC card's I/O space.	
nPCIOWR		Input
	The host asserts nPCIOWR to write data to a PC card's I/O space.	

System and PC Card Reset

EXT_RESET		Input
	The reset signal clears the configuration option register and places the card in an unconfigured state. The system must place the RESET signal in a high-Z state during card power up. The signal must remain high impedance for at least 1 msec after Vcc becomes valid.	

JTAG Interface

TDO		Output
	Test data output. This input has an integral pull up.	
TDI		Input
	Test data input.	
TCK		Input
	Test clock signal.	
TMS		Input
	Test mode select. This input has an internal pull up.	
nTRST		Input
	Test interface reset. This input has an internal pull up.	

Miscellaneous Interface

NTEST		Input
	Chip test mode pin. Used in conjunction with SMNCS0, SMDQM[0:1]. Pull up for normal operation	
SPIO_0:8,12:15		Bi-directional
	Special purpose I/O reserved for supporting custom interfaces. <i>* Check with Cirrus Logic support for supported options and usage.</i>	

Power and Ground

VCC (5V and 3.3V) ¹		Input
VDD (3.3V)	5V inputs. There are a total of 3 pins.	Input
VEE (1.8V)	3.3V inputs. There are a total of 22 pins.	Input
VSS	1.8V inputs to the core. There are a total of 9 pins. Ground. There are total of 28 pins.	Input

¹ 5V or 3.3V depending on desired PCMCIA configuration

Figure 4. CS22220 208 Pin FPBGA Pinout Diagram

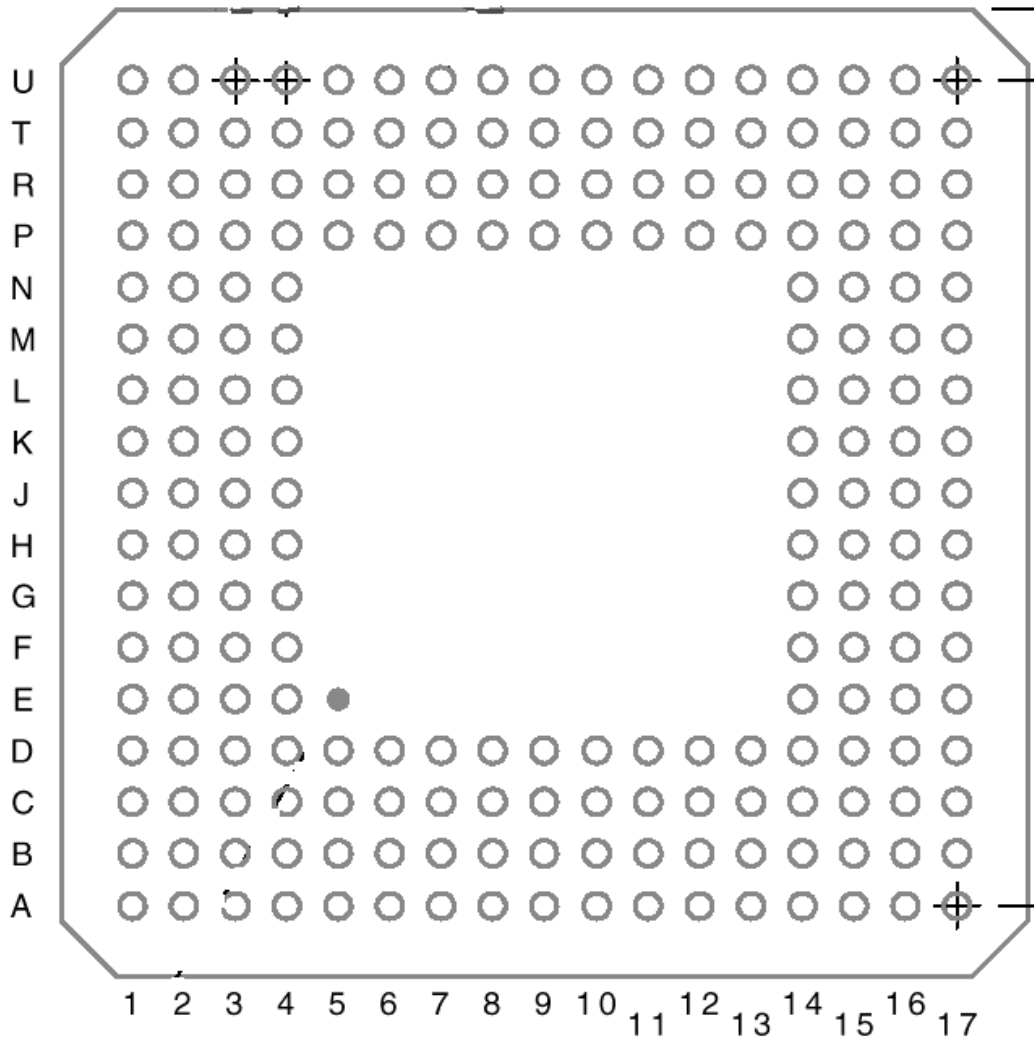


Table 1. Pin Listing by Name

ball	name	ball	name	ball	name	ball	name
A07	(N/C)	K03	PCA08	T16	SMA00	E16	TXPAPE
A13	(N/C)	L04	PCA09	U17	SMA01	B17	TXPE
B08	(N/C)	L01	PCA10	P14	SMA02	E15	TXPEBB
C03	(N/C)	E04	PCD00	T17	SMA03	D16	TXRDY
C07	(N/C)	D03	PCD01	R17	SMA04	A01	VCC
C08	(N/C)	C01	PCD02	P15	SMA05	J01	VCC
C12	(N/C)	R03	PCD03	N14	SMA06	T02	VCC
R05	(N/C)	R01	PCD04	P17	SMA07	B03	VDD
T06	(N/C)	P02	PCD05	N15	SMA08	A12	VDD
H17	BBAS	N01	PCD06	M14	SMA09	B04	VDD
K17	BBNCS	N02	PCD07	M16	SMA10	B11	VDD
H15	BBRNW	D02	PCD08	M15	SMA11	B14	VDD
J16	BBSCLK	D04	PCD09	U07	SMCKE	C06	VDD
H14	BBSDX	B02	PCD10	U11	SMCLK	C15	VDD
T04	CAL_EN	R02	PCD11	T08	SMD00	D09	VDD
C16	CCA	P03	PCD12	R10	SMD01	E17	VDD
D11	DACAVDD	P01	PCD13	P11	SMD02	F04	VDD
C13	DACAVSS	N03	PCD14	T11	SMD03	G16	VDD
D12	RSVD	N04	PCD15	R11	SMD04	J15	VDD
B12	RSVD	A16	PLLAGND	P12	SMD05	K01	VDD
H01	EXT_RESET	D14	PLLAVCC	R12	SMD06	N17	VDD
G15	MDRDY	B15	PLLDGND	P13	SMD07	P16	VDD
L15	NBRCE	A17	PLLDVCC	U12	SMD08	R04	VDD
M03	NPCE1	A15	PLLPLUS	R13	SMD09	R08	VDD
M02	NPCE2	F15	RLINK	U13	SMD10	T01	VDD
G02	NPCINPACK	B16	RNPD	U14	SMD11	T10	VDD
C02	NPCIOIS16	U01	RSVD	R14	SMD12	T12	VDD
L03	NPCIOR	T03	RSVD	U15	SMD13	T14	VDD
L02	NPCIOR	E14	RSVD	U16	SMD14	U09	VDD
H03	NPCIREQ	P06	RSVD	R15	SMD15	A09	VEE
M04	NPCOE	U05	RSVD	U06	SMDQM00	C09	VEE
F03	NPCREG	P05	RSVD	T07	SMDQM01	D07	VEE
D01	NPCSTSCHG	U04	RSVD	P08	SMNCAS	J03	VEE
G03	NPCWAIT	T05	RSVD	R06	SMNCS00	J04	VEE
K02	NPCWE	A02	RSVD	P07	SMNCS01	J14	VEE
G14	NRESETBB	A03	RSVD	L16	SMNRAS	K16	VEE
K14	NTEST	A04	RSVD	L14	SMNWE	R09	VEE
C11	NTRST	A05	RSVD	U03	SYNTH_LE1	T09	VEE
E02	PCA00	A06	RSVD	P04	SYNTH_LE2	A08	VSS
E03	PCA01	B05	RSVD	J17	SYNTHLE	A11	VSS
E01	PCA02	B06	RSVD	A10	TCK	A14	VSS
F02	PCA03	C04	RSVD	B10	TDI	B01	VSS
G04	PCA04	D06	RSVD	C10	TDO	B07	VSS
F01	PCA05	G17	RXCLK	D10	TMS	B09	VSS
G01	PCA06	F14	RXD	D17	TXCLK	C05	VSS
H02	PCA07	F17	RXPEBB	D15	TXD	C17	VSS

ball	name	Ball	name	ball	name	ball	name
D08	VSS	L17	VSS	R16	VSS	C14	XTALCLKIN
F16	VSS	M01	VSS	T13	VSS	D13	XTALOUT
H04	VSS	M17	VSS	T15	VSS	B13	XTRACLK
H16	VSS	N16	VSS	U02	VSS		
J02	VSS	P09	VSS	U08	VSS		
K04	VSS	P10	VSS	U10	VSS		
K15	VSS	R07	VSS	D05	WC_WiFi		

Table 2. Pin Listing by Ball

ball	name	Ball	name	ball	name	ball	name
A01	VCC	C12	(N/C)	G16	VDD	N04	PCD15
A02	RSVD	C13	DACAVSS	G17	RXCLK	N14	SMA06
A03	RSVD	C14	XTALCLKIN	H01	EXT_RESET	N15	SMA08
A04	RSVD	C15	VDD	H02	PCA07	N16	VSS
A05	RSVD	C16	CCA	H03	NPCIREQ	N17	VDD
A06	RSVD	C17	VSS	H04	VSS	P01	PCD13
A07	(N/C)	D01	NPCSTSCHG	H14	BBSDX	P02	PCD05
A08	VSS	D02	PCD08	H15	BBRNW	P03	PCD12
A09	VEE	D03	PCD01	H16	VSS	P04	SYNTH_LE2
A10	TCK	D04	PCD09	H17	BBAS	P05	RSVD
A11	VSS	D05	WC_WiFi	J01	VCC	P06	RSVD
A12	VDD	D06	RSVD	J02	VSS	P07	SMNCS01
A13	(N/C)	D07	VEE	J03	VEE	P08	SMNCAS
A14	VSS	D08	VSS	J04	VEE	P09	VSS
A15	PLLPLUS	D09	VDD	J14	VEE	P10	VSS
A16	PLLAGND	D10	TMS	J15	VDD	P11	SMD02
A17	PLLDVCC	D11	DACAVDD	J16	BBCLK	P12	SMD05
B01	VSS	D12	RSVD	J17	SYNTHLE	P13	SMD07
B02	PCD10	D13	XTALOUT	K01	VDD	P14	SMA02
B03	VDD	D14	PLLA VCC	K02	NPCWE	P15	SMA05
B04	VDD	D15	TXD	K03	PCA08	P16	VDD
B05	RSVD	D16	TXRDY	K04	VSS	P17	SMA07
B06	RSVD	D17	TXCLK	K14	NTEST	R01	PCD04
B07	VSS	E01	PCA02	K15	VSS	R02	PCD11
B08	(N/C)	E02	PCA00	K16	VEE	R03	PCD03
B09	VSS	E03	PCA01	K17	BBNCS	R04	VDD
B10	TDI	E04	PCD00	L01	PCA10	R05	(N/C)
B11	VDD	E14	RSVD	L02	NPCIOWR	R06	SMNCS00
B12	RSVD	E15	TXPEBB	L03	NPCIORD	R07	VSS
B13	XTRACLK	E16	TXPAPE	L04	PCA09	R08	VDD
B14	VDD	E17	VDD	L14	SMNWE	R09	VEE
B15	PLLDGND	F01	PCA05	L15	NBRCE	R10	SMD01
B16	RNPD	F02	PCA03	L16	SMNRAS	R11	SMD04
B17	TXPE	F03	NPCREG	L17	VSS	R12	SMD06
C01	PCD02	F04	VDD	M01	VSS	R13	SMD09
C02	NPCIOIS16	F14	RXD	M02	NPCE2	R14	SMD12
C03	(N/C)	F15	RLINK	M03	NPCE1	R15	SMD15
C04	RSVD	F16	VSS	M04	NPCOE	R16	VSS
C05	VSS	F17	RXPEBB	M14	SMA09	R17	SMA04
C06	VDD	G01	PCA06	M15	SMA11	T01	VDD
C07	(N/C)	G02	NPCINPACK	M16	SMA10	T02	VCC
C08	(N/C)	G03	NPCWAIT	M17	VSS	T03	RSVD
C09	VEE	G04	PCA04	N01	PCD06	T04	CAL_EN
C10	TDO	G14	NRESETBB	N02	PCD07	T05	RSVD
C11	NTRST	G15	MDRDY	N03	PCD14	T06	N/C

ball	name	ball	name	ball	name	ball	name
T07	SMDQM01	T14	VDD	U04	RSVD	U11	SMCLK
T08	SMD00	T15	VSS	U05	RSVD	U12	SMD08
T09	VEE	T16	SMA00	U06	SMDQM00	U13	SMD10
T10	VDD	T17	SMA03	U07	SMCKE	U14	SMD11
T11	SMD03	U01	RSVD	U08	VSS	U15	SMD13
T12	VDD	U02	VSS	U09	VDD	U16	SMD14
T13	VSS	U03	SYNTH_LE1	U10	VSS	U17	SMA01

5 Specifications

Table 3. Absolute Maximum Ratings

Symbol	Parameter	Limits	Units
V _{EE}	Voltage at Core	-0.18 to 2.0	V
V _{DD}	DC Supply (I/O)	-0.3 to 3.9	V
V _{IN}	Input Voltage	-0.1 to V _{DD} + 0.3	V
I _{IN}	DC Input Current	+/- 10	μA
T _{STGP}	Storage Temperature Range	-40 to 125	°C

Table 4. Recommended Operating Conditions

Symbol	Parameter	Limits	Units
V _{DD} V _{EE}	DC Supply	3.15 to 3.60 (3V I/O) 1.6 to 2.0 (core)	V
XTALIN	Input frequency ¹	44	MHz
F _{TCK}	JTAG clock frequency	0 to 10	MHz
T _A	Ambient Temperature	0 to +70	°C
T _J	Junction Temperature	0 to +105	°C

Notes:

1. The XTALIN & XTALOUT pins have minimal ESD protection.
2. This device may have ESD sensitivity above 500V HBM per JESD22-A114. Normal ESD precautions need to be followed.

Table 5. Capacitance

Symbol	Parameter	Value	Units
C _{IN}	Input Capacitance	3.4	pF
C _{OUT}	Output Capacitance	4.0	pF

Table 6. DC Characteristics

Symbol	Parameter	Condition	Min	Typ.	Max	Units
V _{IL}	Voltage Input Low		-0.50		0.3 * V _{DD}	V
V _{IH}	Voltage Input High		0.7 * V _{DD}		V _{DD} + 0.3	V
V _{OL}	Voltage Output Low	I _{OL} = 800 μA			V _{SS} + 0.1	V
V _{OH}	Voltage Output High	I _{OH} = 800 μA	V _{SS} - 0.1			V
I _{IL}	Input Leakage Current	V _{IN} = V _{SS} or V _{DD}	-10		10	μA
I _{OZ}	3-State Output Leakage Current	V _{OH} = V _{SS} or V _{DD}	-10		10	μA
I _{DD} I _{EE}	Dynamic Supply Current Note 1	V _{DD} = 3.3V V _{DD} = 1.8V		35 135		mA

5.1 AC Characteristics and Timing

Table 7. System Memory Interface Timings

Parameter	Parameter Description	Min	Max	Units
t_{dSMD}	SMCLK to SMD[31:0] output delay		7	ns
t_{dSMA}	SMCLK to SMA[11:0] output delay		4.7	ns
t_{dSMDQM}	SMCLK to SMDQM[3:0] output delay		5.1	ns
t_{dSMNCS}	SMCLK to SMNCS[1:0] output delay		4.1	ns
t_{dSMNWE}	SMCLK to SMNWE output delay		4.5	ns
t_{dSMCKE}	SMCLK to SMCKE output delay		4.3	ns
$t_{dSMNCAS}$	SMCLK to SMNCAS output delay		4.0	ns
$t_{dSMNRAS}$	SMCLK to SMNRAS output delay		5.0	ns
$T_{perSMCLK}$	SMCLK period	72	103	ns
T_{suSMD}	SMD[31:0] setup to SMCLK	1.0		ns
T_{hSMD}	SMD[31:0] hold from SMCLK	2.4		ns

Notes:

1. Outputs are loaded with 35pf on SMD, 25pf on SMA, SMDQM, SMNRAS, and SMNCAS and 20pf on SMCLK, SMNCS, and SMCKE.
2. An attempt has been made to balance the setup time needed by the SDRAM and the setup needed by CS22210 to read data. If there is a problem meeting setup on the SDRAM, there is a programmable delay line on SMCLK which can help meet the setup time. Care must be taken, however, not to violate the setup on the return read data. The delay can be increased by a multiple of 0.25ns by using the SMA[11:09] pins to selectively set the clock delay .

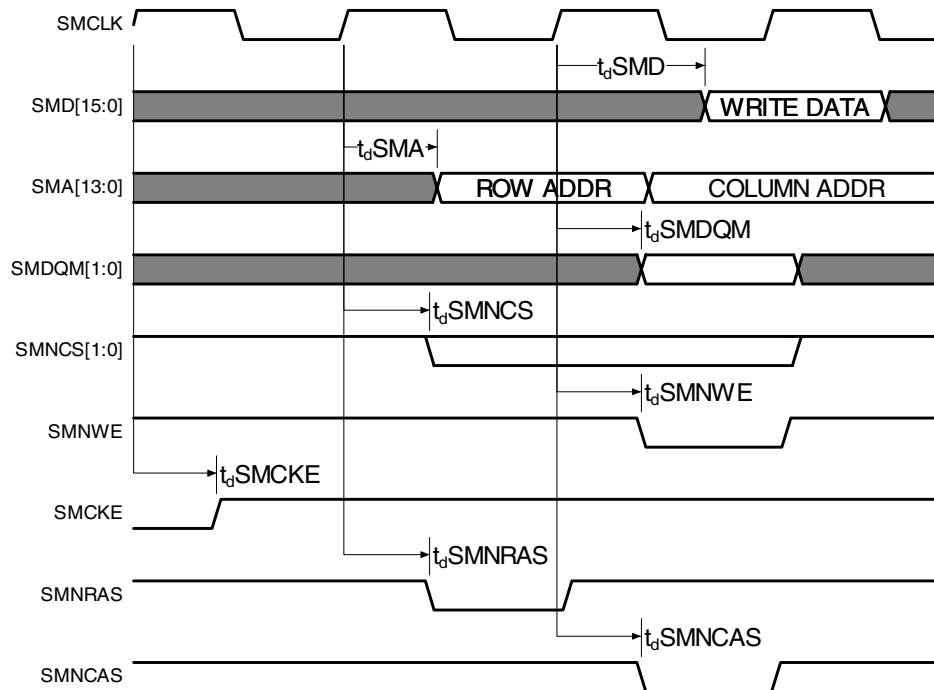


Figure 5. System Memory Interface 'Write' Timing Diagram

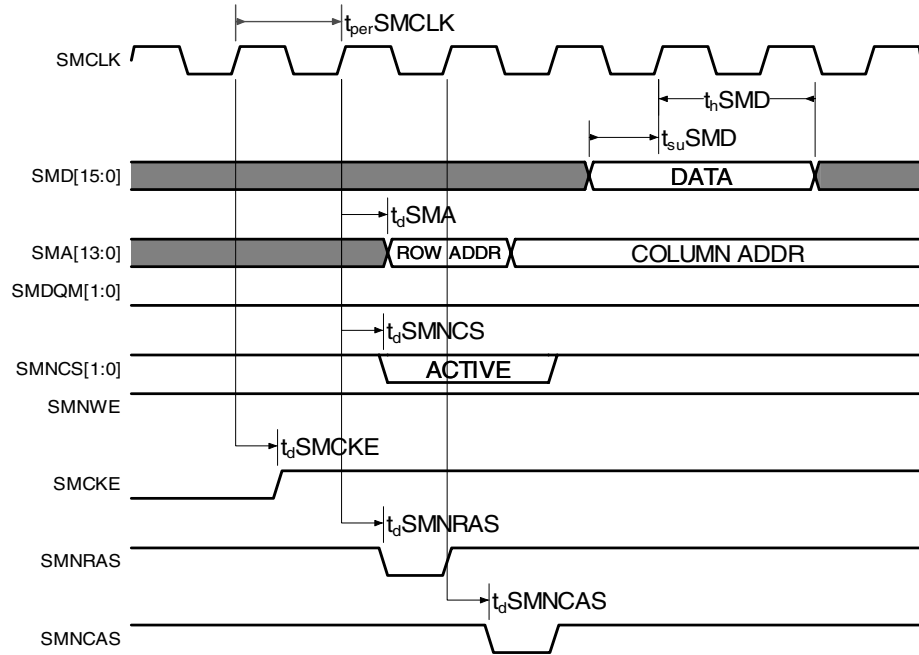


Figure 6. System Memory Interface 'Read' Timing Diagram

Table 8. ROM/Flash Memory ‘Read’ Timing

Item	Symbol	Min	Max
		Clock Period ⁽¹⁾	t_{per_SMCLK}
\overline{CE} to SMD Latched Data ⁽²⁾	t_{id_SMD}		221 ns
\overline{OE} de-asserted to OE asserted ⁽³⁾	t_f_SMRAS	$6(t_{per_SMCLK})$	
ROM address to output delay ⁽⁴⁾	t_{ACC}		220 ns
SMCLK to SMA output delay	t_d_SMA		4.0 ns
SMCLK to BRCE output delay (\overline{CE})	t_d_BRCE		4.5 ns
SMCLK to SMRAS output delay (\overline{OE})	t_d_SMRAS		5.0 ns
SMD setup to SMCLK	t_{su_SMD}	1.0 ns	
SMD hold from SMCLK	t_h_SMD	2.4 ns	

1. The memclock timing is derived by bootstrap PLL settings. Synchronous modes at 77 MHz & 72 MHz are currently supported.
2. t_{id_SMD} is based on the fm_romrdlat register settings – default is 09h max. (77Mhz ~ 17 times SMCLK = 221ns).
3. t_f_SMRAS is the minimum time required before the next OE is active on the bus (6 times SMCLK). The ROM device must release the bus within this time frame (77MHz ~ 78 ns).
4. Based on default fm_romrdlat register settings (note: 09h translates to 11h) *see fm_romrdlat register settings for more information*

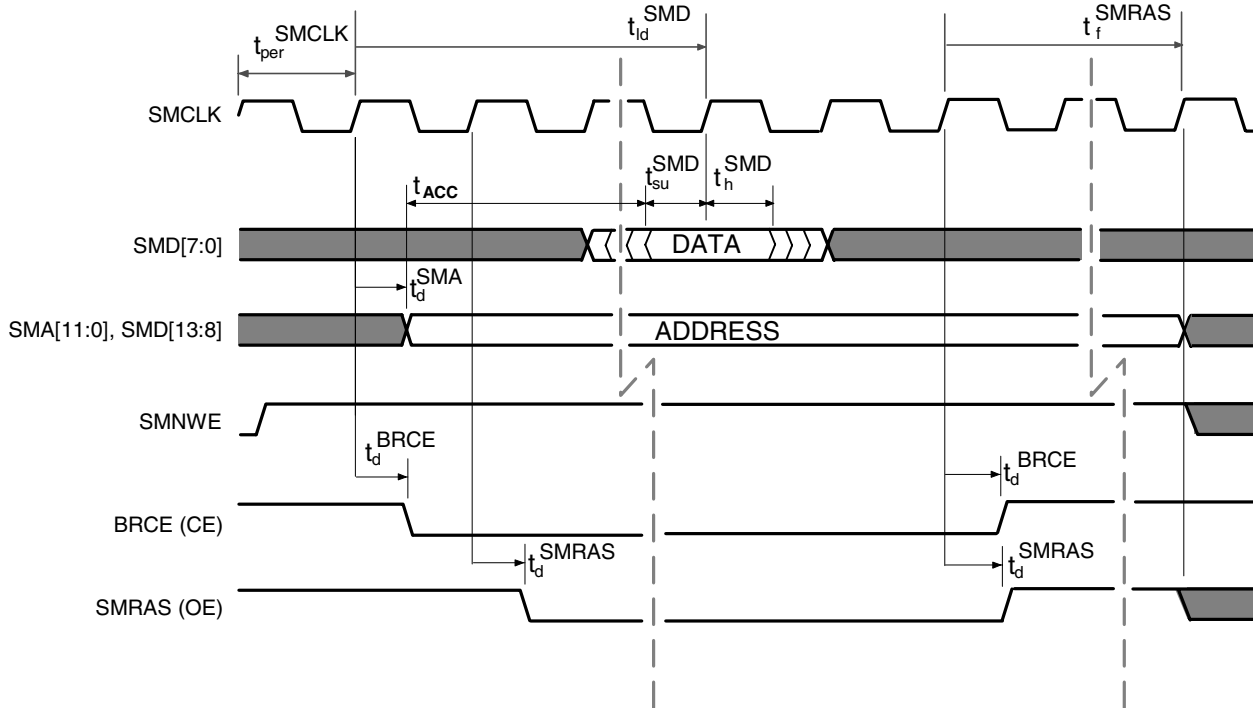


Figure 7. ROM Memory Interface 'Read' Timing Diagram

5.2 PCMCIA Interface Timing Diagrams

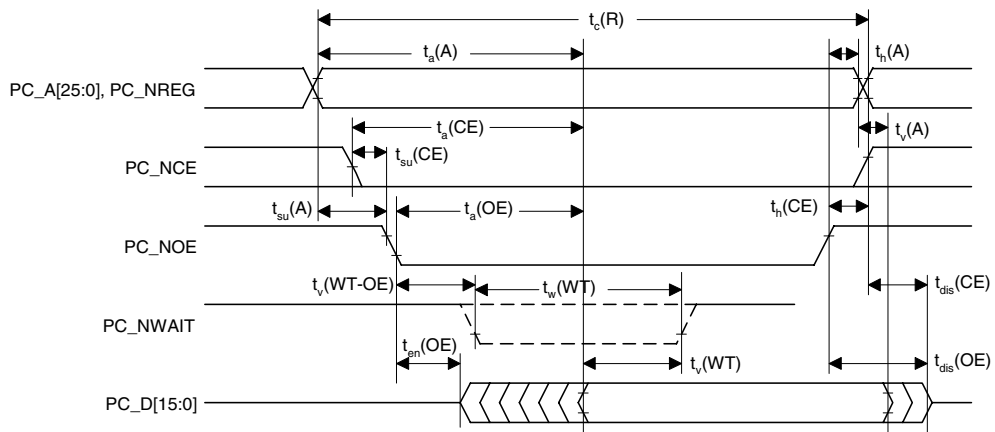


Figure 8. Attribute/Common Memory 'Read' Timing Diagram

Table 9. Common Memory 'Read' Timing Specification

Speed Version Item	Symbol	100 ns	
		Min	Max
Read Cycle Time	$t_c(R)$	100	
Address Access Time	$t_a(A)$		100
Card Enable Access Time	$t_a(CE)$		100
Output Enable Access Time	$t_a(OE)$		50
Output Disable Time from PC_NOE	$t_{dis}(OE)$		50
Output Disable Time from PC_NCE	$t_{en}(CE)$	5	
Data Valid from Address Change	$t_v(A)$	0	
Address Setup Time	$t_{su}(A)$	10	
Address Hold Time	$t_h(A)$	15	
Card Enable Setup Time	$t_{su}(CE)$	0	
Card Enable Hold Time	$t_h(CE)$	15	
PC_NWAIT Valid from PC_NOE	$t_v(WT-OE)$		35
PC_NWAIT Pulse Width	$t_w(WT)$		12 us
Data Setup for PC_NWAIT Released	$t_v(WT)$	0	

Table 10. Attribute Memory ‘Read’ Timing Specification

Speed Version Item	Symbol	600 ns	
		Min	Max
Read Cycle Time	t_{cR}	600	
Address Access Time	$t_a(A)$		600
Card Enable Access Time	$t_a(CE)$		600
Output Enable Access Time	$t_a(OE)$		300
Output Disable Time from PC_NOE	$t_{dis}(OE)$		150
Output Enable Time from PC_NCE	$t_{en}(OE)$	5	
Data Valid from Address Change	$t_v(A)$	0	
Address Setup Time	$t_{su}(A)$	100	
Address Hold Time	$t_h(A)$	35	
Card Enable Setup Time	$t_{su}(CE)$	0	
Card Enable Hold Time	$t_h(CE)$	35	
PC_NWAIT Valid from PC_NOE	$t_v(WT-OE)$		100
PC_NWAIT Pulse Width	$t_w(WT)$		12 us
Data Setup for PC_NWAIT Released	$t_v(WT)$	0	

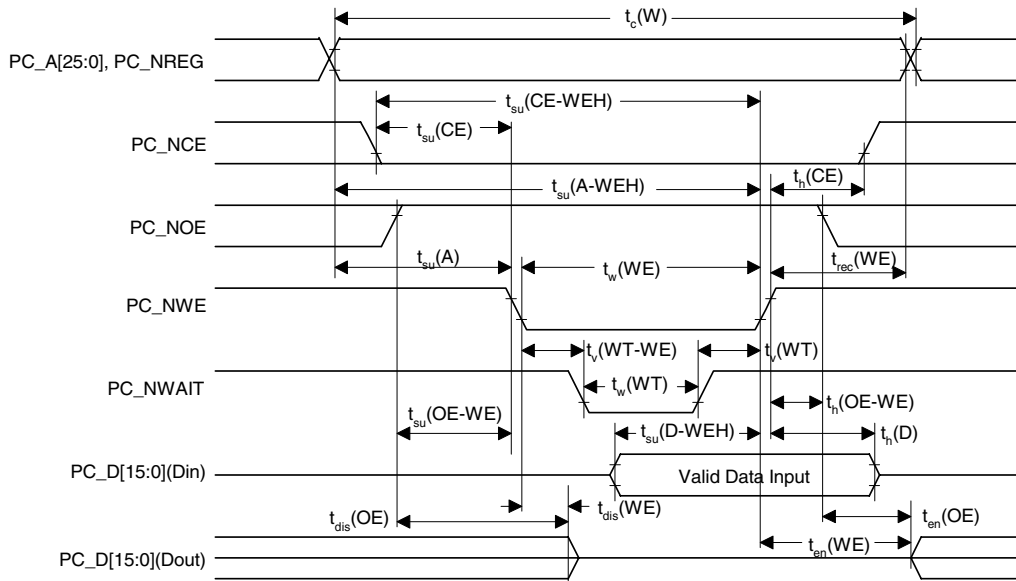


Figure 9. Memory ‘Write’ Timing Diagram

Table 11. Common Memory ‘Write’ Timing Specification

Speed Version Item	Symbol	100 ns	
		Min	Max
Write Cycle time	t_c W	100	
Write Pulse Width	t_w (WE)	60	
Address Setup Time	t_{su} (A)	10	
Address Setup Time for PC_NWE	t_{su} (A-WEH)	70	
Card Enable Setup Time for PC_NWE	t_{su} (CE-WEH)	70	
Data Setup time for PC_NWE	t_{su} (D-WEH)	40	
Data Hold Time	t_h (D)	15	
Write Recovery Time	t_{rec} (WE)	15	
Output Disable Time from PC_NWE	t_{dis} (WE)		50
Output Disable Time from PC_NOE	t_{dis} (OE)		50
Output Enable Time from PC_NWE	t_{en} (WE)	5	
Output Enable Time from PC_NOE	t_{en} (OE)	5	
Output Enable Setup from PC_NWE	t_{su} (OE-WE)	10	
Output Enable Hold from PC_NWE	t_h (OE-WE)	10	
Card Enable Setup Time	t_{su} (CE)	0	
Card Enable Hold Time	t_h (CE)	15	
PC_NWAIT Valid from PC_NWE	t_v (WT-WE)		35
PC_NWAIT Pulse Width	t_w (WT)		12 us
PC_NWE High from PC_NWAIT Released		0	

Table 12. Attribute Memory ‘Write’ Timing Specification

Speed Version Item	Symbol	600 ns	
		Min	Max
Write Cycle time	t_c W	600	
Write Pulse Width	t_w (WE)	300	
Address Setup Time	t_{su} (A)	50	
Address Setup Time for PC_NWE	t_{su} (A-WEH)	350	
Card Enable Setup Time for PC_NWE	t_{su} (CE-WEH)	300	
Data Setup time for PC_NWE	t_{su} (D-WEH)	150	
Data Hold Time	t_h (D)	70	
Write Recovery Time	t_{rec} (WE)	70	
Output Disable Time from PC_NWE	t_{dis} (WE)		150
Output Disable Time from PC_NOE	t_{dis} (OE)		150
Output Enable Time from PC_NWE	t_{en} (WE)	5	
Output Enable Time from PC_NOE	t_{en} (OE)	5	
Output Enable Setup from PC_NWE	t_{su} (OE-WE)	35	
Output Enable Hold from PC_NWE	t_h (OE-WE)	35	
Card Enable Setup Time	t_{su} (CE)	0	
Card Enable Hold Time	t_h (CE)	35	
PC_NWAIT Valid from PC_NWE	t_v (WT-WE)		100
PC_NWAIT Pulse Width	t_w (WT)		12 us
PC_NWE High from PC_NWAIT Released		0	

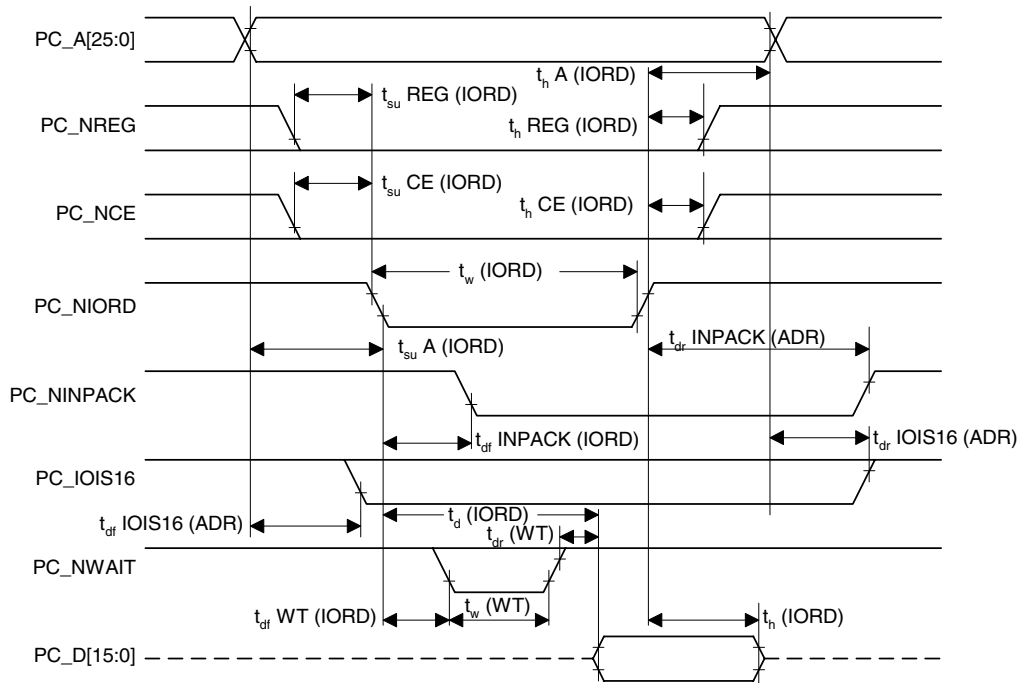


Figure 10. I/O 'Read' Timing Diagram

Table 13. I/O 'Read' (Input) Timing Specification

Item	Symbol	Min	Max
Data Delay after PC_NIORD	$t_d (IORD)$		100
Data Hold following PC_NIORD	$t_h (IORD)$	0	
PC_NIORD Width Time	$t_w IORD$	165	
Address Setup before PC_NIORD	$t_{su} A (IORD)$	70	
Address Hold following PC_NIORD	$t_h A (IORD)$	20	
PC_NCE Setup before PC_NIORD	$t_{su} CE (IORD)$	5	
PC_NCE Hold following PC_NIORD	$t_h CE (IORD)$	20	
PC_NREG Setup before PC_NIORD	$t_{su} REG (IORD)$	5	
PC_NREG Hold before PC_NIORD	$t_h REG (IORD)$	0	
PC_NINPACK Delay Falling from PC_NIORD	$t_{df} INPACK (IORD)$	0	45
PC_NINPACK Delay Rising from PC_NIORD	$t_{dr} INPACK (IORD)$		45
PC_NIOIS16 Delay Falling from Address	$t_{df} IOIS16 (ADR)$		35
PC_NIOIS16 Delay Rising from Address	$t_{dr} IOIS16 (ADR)$		35
PC_NWAIT Delay Falling from PC_NIORD	$t_d WT (IORD)$		35
Data Delay from PC_NWAIT Rising	$t_{dr} (WT)$		0
PC_NWAIT Width Time	$t_w (WT)$		12,000

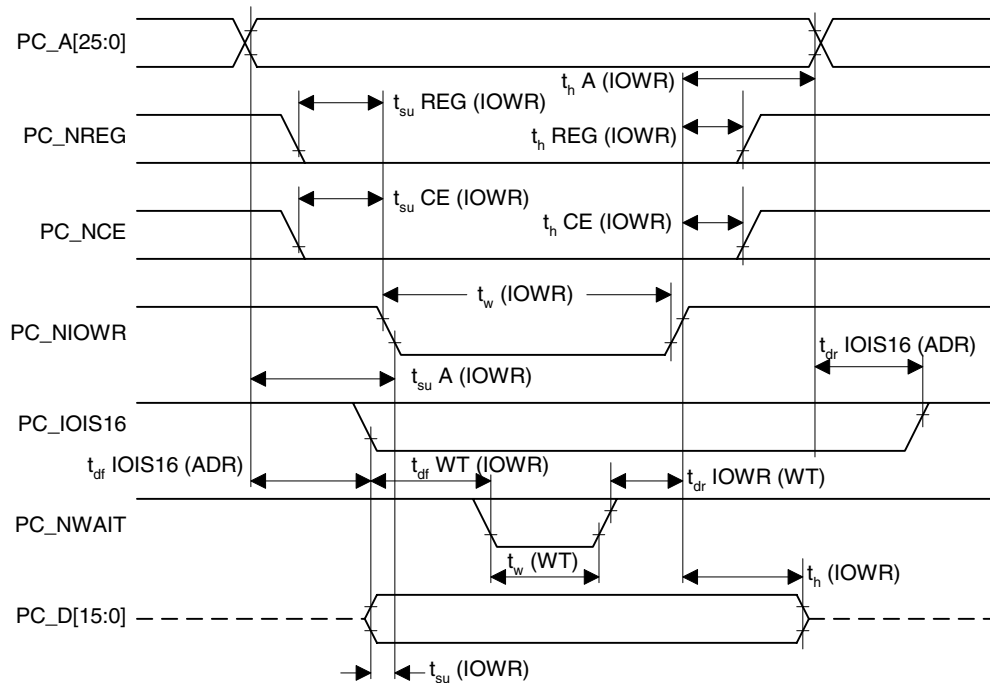


Figure 11. I/O 'Write' Timing Diagram

Table 14. I/O 'Write' (Output) Timing Specification

Item	Symbol	Min	Max
Data Setup after PC_NIOWR	$t_d (NIOWR)$	60	
Data Hold following PC_NIOWR	$t_h (NIOWR)$	30	
PC_NIOWR Width Time	$t_w IOWR$	165	
Address Setup before PC_NIOWR	$t_{su} A (NIOWR)$	70	
Address Hold following PC_NIOWR	$t_h A (NIOWR)$	20	
PC_NCE Setup before PC_NIOWR	$t_{su} CE (NIOWR)$	5	
PC_NCE Hold following PC_NIOWR	$t_h CE (NIOWR)$	20	
PC_NREG Setup before PC_NIOWR	$t_{su} REG (NIOWR)$	5	
PC_NREG Hold following PC_NIOWR	$t_h REG (NIOWR)$	0	
PC_NIOIS16 Delay Falling from Address	$t_{dr} IOIS16 (ADR)$		35
PC_NIOIS16 Delay Rising from Address	$t_{dr} IOIS16 (ADR)$		35
PC_NWAIT Delay Falling from PC_NIOWR	$t_d WT (NIOWR)$		35
PC_NWAIT Width Time	$t_w (WT)$		12,000
PC_NIOWR Width Time	$t_{dr} IOWR (WT)$	0	

Table 15. Radio MAC AC Timings – Intersil Modes

Parameter	Parameter Description	Min	Max	Units
t _d BBAS	BBAS output delay from falling BBSCLK		8.2	ns
t _d BBRNW	BBRNW output delay from falling BBSCLK		8.0	ns
t _d nBBCS	nBBCS output delay from falling BBSCLK		59.0	ns
t _d BBSDX	BBSDX output delay from falling BBSCLK		7.0	ns
T _{su} BBSDX	BBSDX setup to rising edge of BBSCLK	14.8		ns
T _h BBSDX	BBSDX hold from rising edge of BBSCLK	0.0		ns
t _d TXD	TXD output delay from rising TXCLK (SMAC Mode)		33.5	ns
t _d TXD	TXD output delay from rising TXCLK (RMAC Mode)		15.4	ns
T _{su} RXD	RXD setup to rising edge of RXCLK	1.0		ns
T _h RXD	RXD hold from rising edge of RXCLK	1.8		ns
T _{su} MDRDY	MDRDY setup to falling edge of RXCLK	2		ns
T _h MDRDY	MDRDY hold from falling edge of RXCLK	1		ns
t _d TXPEBB	TXPEBB output delay from rising TXCLK		15.0	ns
t _d RXPEBB	RXPEBB output delay from rising RXCLK		16.0	ns
T _{su} TXRDY	TXRDY setup to falling edge of TXCLK	6.5		ns
T _h TXRDY	TXRDY hold from falling edge of TXCLK	0		ns
T _{duty} RXCLK ²	RXCLK period	See Note		ns
T _{duty} TXCLK ²	TXCLK period	See Note		ns

Notes:

1. CCA signal is double synchronized to ARMCLKIN.
2. ARMCLK must be at least 4 times the TXCLK and RXCLK frequency.
3. Harris baseband (3824/3824A) generates RXCLK and TXCLK of 4 Mhz. the duty cycle varies between 33-40% with a high time of 90.9ns and low time that alternates between 136 and 182ns. The clock period varies between 227 and 272 ns, giving an effective period of 250ns.
4. TXD delay in 802.11b mode is the result of sampling the TXCLK with the ctclk, therefore the maximum delay is equal to two ctclk periods plus the flop-to-output delay. In this table, ctclk is assumed to have a 13 ns period.
5. BBNCS output delay = [(1/ARMCLK freq)*ceiling(SER_CLK_DIV/2)] + 7ns, the specified value is based on ARMCLK of 77 Mhz and SER_CLK_DIV=8.

Table 16. Radio MAC AC Timings – RFMD Modes

Parameter	Parameter Description	Min	Max	Units
t _d BBRNW	BBRNW output delay from falling BBSCLK		6.7	ns
t _d nBBCS	nBBCS output delay from falling BBSCLK		110.79	ns
t _d BBSDX	BBSDX output delay from falling BBSCLK		7.0	ns
T _{su} BBSDX	BBSDX setup to rising edge of BBSCLK	14.5		ns
T _h BBSDX	BBSDX hold from rising edge of BBSCLK	0.0		ns
t _d TXD	TXD output delay from rising TXCLK (SMAC Mode)		33.5	ns
t _d TXD	TXD output delay from rising TXCLK (RMAC Mode)		15.4	ns
T _{su} RXD	RXD setup to rising edge of RXCLK	1.0		ns
T _h RXD	RXD hold from rising edge of RXCLK	1.8		ns
T _{su} MDRDY	MDRDY setup to falling edge of RXCLK	2		ns
T _h MDRDY	MDRDY hold from falling edge of RXCLK	1		ns
t _d TXPEBB	TXPEBB output delay from rising TXCLK		15.0	ns
t _d RXPEBB	RXPEBB output delay from rising RXCLK		16.0	ns
T _{su} TXRDY	TXRDY setup to falling edge of TXCLK	6.5		ns
T _h TXRDY	TXRDY hold from falling edge of TXCLK	0		ns

Notes:

1. CCA signal is double synchronized to ARMCLKIN.
2. ARMCLK must be at least 4 times the TXCLK and RXCLK frequency.
3. TXD delay in 802.11b mode is the result of sampling the TXCLK with the ctclk, therefore the maximum delay is equal to two ctclk periods plus the flop-to-output delay. In this table, ctclk is assumed to have a 13 ns period.
4. BBNCS output delay = $[(1/\text{ARMCLK freq}) * \text{ceiling}(\text{SER_CLK_DIV}/2)] + 7\text{ns}$, the specified value is based on ARMCLK of 77 Mhz and SER_CLK_DIV=8.

Table 17. Package Specifications

Symbol	Parameter	Value	Units
θ _{JC}	Junction-to-Case Thermal Resistance	2.5	°C/W
θ _{JA}	Junction-to-Open Air Thermal Resistance	26.9	°C/W
T _{J_MAX}	Max Junction Temperature	105	°C

Notes:

1. ARMCLK / MEMCLK = 77MHz

6 Packaging

The CS22220 Controller is available in a 208 Fine Pitch Ball Grid Array (FPBGA) package. Figure 12 contains the package mechanical drawing.

Figure 12. CS22220 208 FPBGA-pin Mechanical Drawing

