

**> Features**

- High Speed Switching
- Low On-Resistance
- No Secondary Breakdown
- Low Driving Power
- High Voltage
- $V_{GS} = \pm 30V$  Guarantee
- Avalanche Proof

**> Applications**

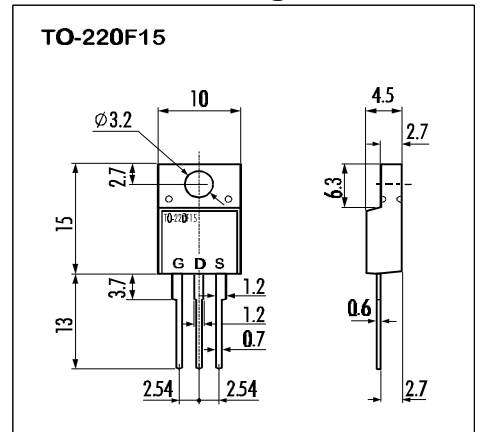
- Switching Regulators
- UPS
- DC-DC converters
- General Purpose Power Amplifier

**> Maximum Ratings and Characteristics**

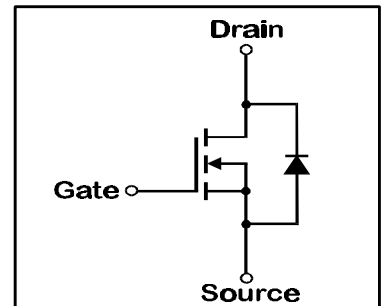
- Absolute Maximum Ratings ( $T_C=25^\circ C$ ), unless otherwise specified

Item	Symbol	Rating	Unit
Drain-Source-Voltage	$V_{DS}$	250	V
Drain-Gate-Voltage( $R_{GS}=20K\Omega$ )	$V_{DGR}$	250	V
Continous Drain Current	$I_D$	8	A
Pulsed Drain Current	$I_{D(puls)}$	32	A
Gate-Source-Voltage	$V_{GS}$	$\pm 30$	V
Max. Power Dissipation	$P_D$	40	W
Operating and Storage Temperature Range	$T_{ch}$	150	$^\circ C$
	$T_{stg}$	-55 ~ +150	$^\circ C$

**> Outline Drawing**



**> Equivalent Circuit**



- Electrical Characteristics ( $T_C=25^\circ C$ ), unless otherwise specified

Item	Symbol	Test conditions	Min.	Typ.	Max.	Unit
Drain-Source Breakdown-Voltage	$V_{(BR)DSS}$	$I_D=1mA$ $V_{GS}=0V$	250			V
Gate Threshold Voltage	$V_{GS(th)}$	$I_D=1mA$ $V_{DS}=V_{GS}$	2,5	3,0	3,5	V
Zero Gate Voltage Drain Current	$I_{DSS}$	$V_{DS}=250V$ $T_{ch}=25^\circ C$		10	500	$\mu A$
		$V_{GS}=0V$ $T_{ch}=125^\circ C$		0,2	1,0	mA
Gate Source Leakage Current	$I_{GSS}$	$V_{GS}=\pm 30V$ $V_{DS}=0V$		10	100	nA
Drain Source On-State Resistance	$R_{DS(on)}$	$I_D=4A$ $V_{GS}=10V$		0,35	0,5	$\Omega$
Forward Transconductance	$g_{fs}$	$I_D=4A$ $V_{DS}=25V$	2,5	5		S
Input Capacitance	$C_{iss}$	$V_{DS}=25V$		750	1130	pF
Output Capacitance	$C_{oss}$	$V_{GS}=0V$		130	200	pF
Reverse Transfer Capacitance	$C_{rss}$	$f=1MHz$		30	45	pF
Turn-On-Time $t_{on}$ ( $t_{on}=t_{d(on)}+t_r$ )	$t_{d(on)}$	$V_{CC}=150V$		30	45	ns
		$I_D=8A$		30	45	ns
Turn-Off-Time $t_{off}$ ( $t_{off}=t_{d(off)}+t_f$ )	$t_{d(off)}$	$V_{GS}=10V$		40	60	ns
		$R_{GS}=10\Omega$		10	15	ns
Avalanche Capability	$I_{AV}$	$L=100\mu H$ $T_{ch}=25^\circ C$	8			A
Continous Reverse Drain Current	$I_{DR}$	$T_C=25^\circ C$			8	A
Pulsed Reverse Drain Current	$I_{DRM}$	$T_C=25^\circ C$			32	A
Diode Forward On-Voltage	$V_{SD}$	$I_F=2I_{DR}$ $V_{GS}=0V$ $T_{ch}=25^\circ C$		1	1,5	V
Reverse Recovery Time	$t_{rr}$	$I_F=I_{DR}$ $V_{GS}=0V$		120		ns
Reverse Recovery Charge	$Q_{rr}$	$-di_F/dt=100A/\mu s$ $T_{ch}=25^\circ C$		0,6		$\mu C$

- Thermal Characteristics

Item	Symbol	Test conditions	Min.	Typ.	Max.	Unit
Thermal Resistance	$R_{th(ch-a)}$	channel to air			62,5	$^\circ C/W$
	$R_{th(ch-c)}$	channel to case			3,125	$^\circ C/W$

N-channel MOS-FET			
250V	0,5Ω	8A	40W

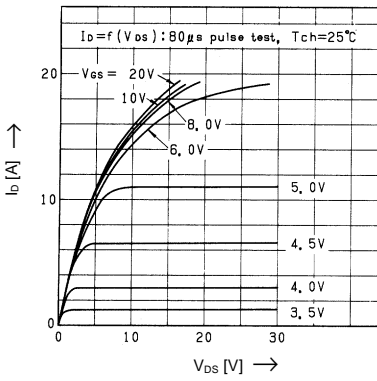
# 2SK2253-01MR

## FAP-IIA Series

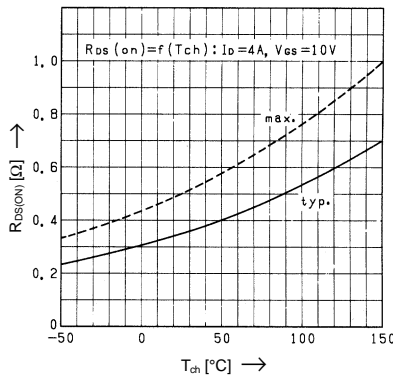


### > Characteristics

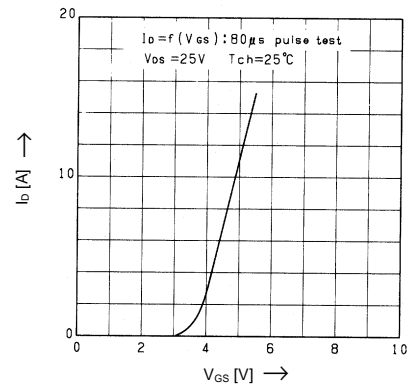
Typical Output Characteristics



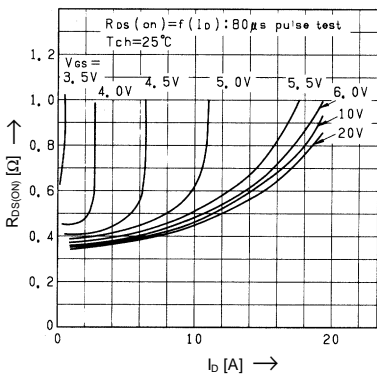
Drain-Source-On-State Resistance vs.  $T_{ch}$



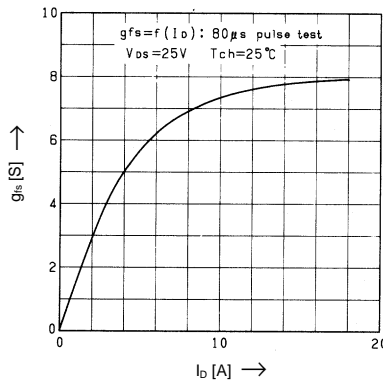
Typical Transfer Characteristics



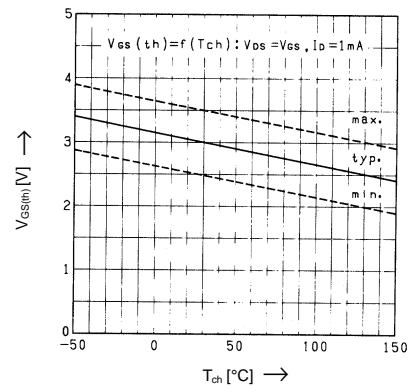
Typical Drain-Source-On-State-Resistance vs.  $I_D$



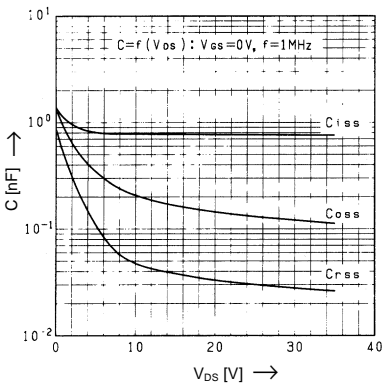
Typical Forward Transconductance vs.  $I_D$



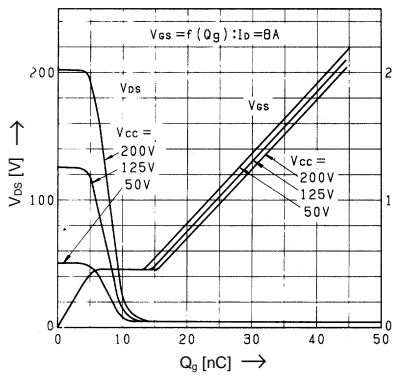
Gate Threshold Voltage vs.  $T_{ch}$



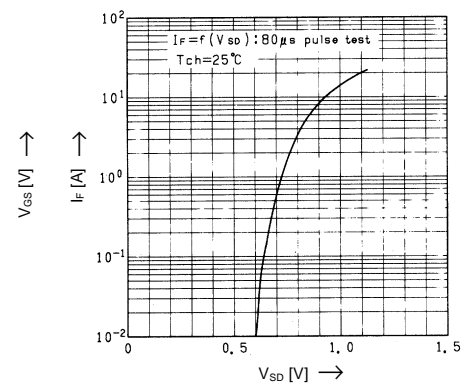
Typical Capacitance vs.  $V_{DS}$



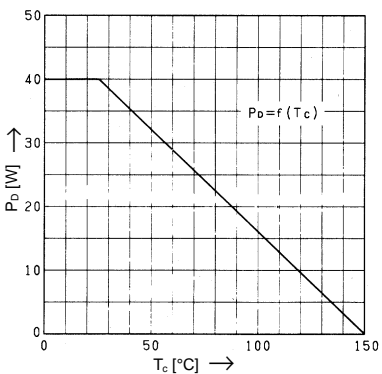
Typical Input Charge



Forward Characteristics of Reverse Diode



Allowable Power Dissipation vs.  $T_c$



Safe operation area

