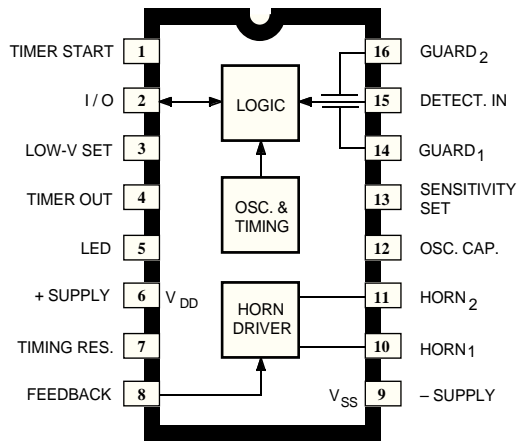


5349

AC SMOKE DETECTOR WITH INTERCONNECT AND TIMER



Dwg. PC-004

The A5349CA is a low-current, CMOS circuit providing all of the required features for an ionization-type smoke detector. A networking capability allows as many as 125 units to be interconnected so that if any unit senses smoke, all units will sound an alarm. In addition, special features are incorporated to facilitate alignment and test of the finished smoke detector. This device is designed to comply with Underwriters Laboratories Specification UL217.

The internal oscillator and timing circuitry keeps standby power to a minimum by powering down the device for 1.66 seconds and sensing smoke for only 10 ms. Every 24 on/off cycles, a check is made for low battery condition. By substituting other types of sensors, or a switch for the ionization detector, this very-low power device can be used in numerous other safety or security applications.

The A5349CA is supplied in a low-cost, 16-pin dual in-line plastic package. It is rated for continuous operation over the temperature range of 0°C to +50°C.

FEATURES

- Interconnect Up to 125 Detectors
- Piezoelectric Horn Driver
- Guard Outputs for Detector Input
- Low Supply Detection
- Power-ON Reset
- Internal Timer & Control for Reduced Sensitivity
- Built-In Hysteresis Reduces False Triggering

ABSOLUTE MAXIMUM RATINGS

(Voltages are referenced to V_{SS})

Supply Voltage Range,

V_{DD} -0.5 V to +15 V

Input Voltage Range,

V_{IN} -0.3 V to $V_{DD} + 0.3$ V

Input Current, I_{IN} 10 mA

Operating Temperature Range,

T_A 0°C to +50°C

Storage Temperature Range,

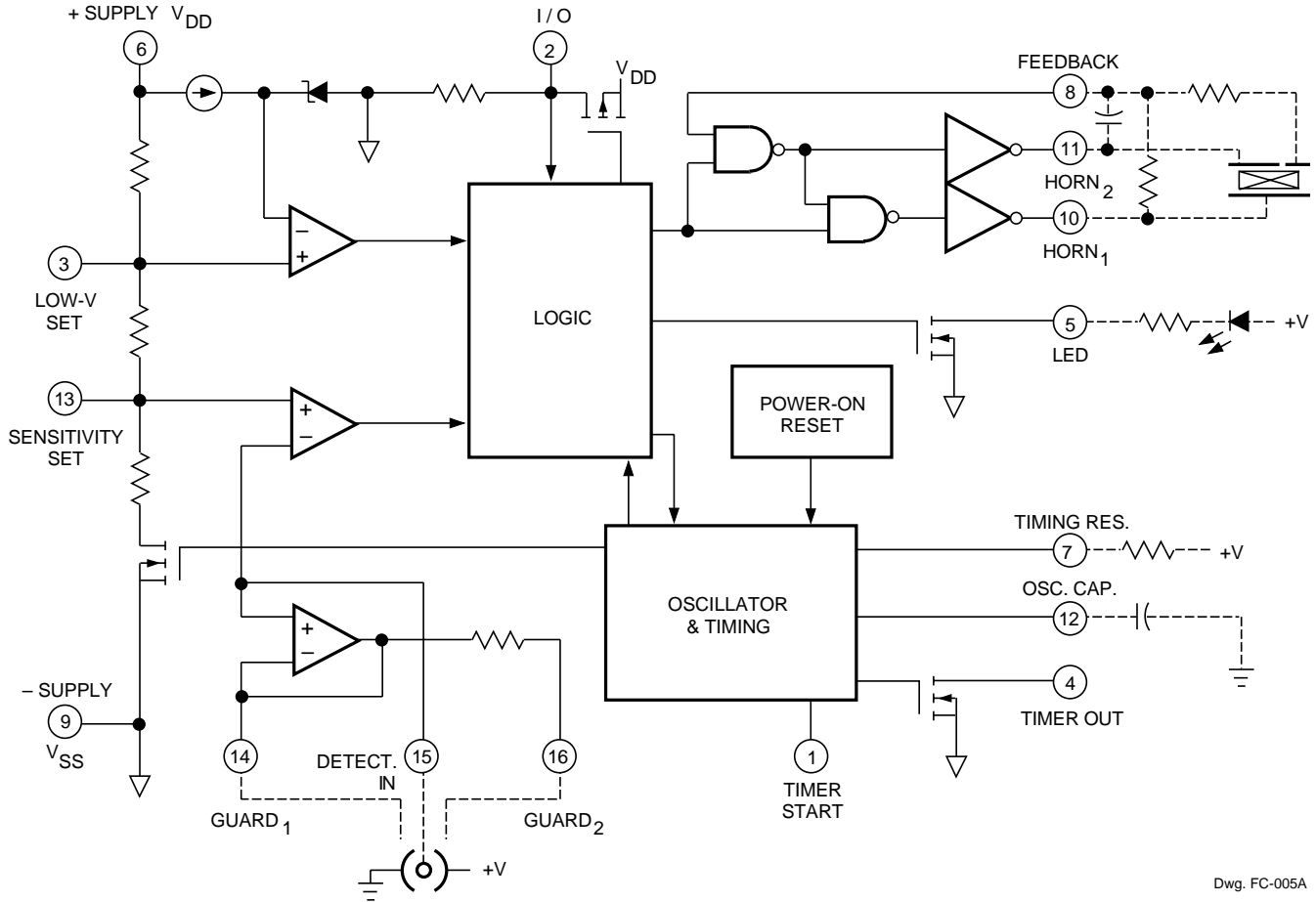
T_S -55°C to +125°C

CAUTION: CMOS devices have input static protection but are susceptible to damage when exposed to extremely high static electrical charges.

Always order by complete part number: **A5349CA**.

5349 AC SMOKE DETECTOR with INTERCONNECT and TIMER

FUNCTIONAL BLOCK DIAGRAM AND TYPICAL APPLICATION



Dwg. FC-005A

5349

AC SMOKE DETECTOR

with INTERCONNECT

and TIMER

ELECTRICAL CHARACTERISTICS at $T_A = +25^\circ\text{C}$, $V_{DD} = 9.0\text{ V}$, $V_{SS} = 0\text{ V}$, $C_{12} = 0.1\ \mu\text{F}$, $R_7 = 8.2\ \text{M}\Omega$ (unless otherwise noted).

Characteristic	Test Pin	Test Conditions	Limits			
			Min.	Typ.	Max.	Units
Supply Voltage Range	6	Operating	6.0	9.0	12	V
Detector Input Current	15	0 to 40% RH, $V_{IN} = 0$ to 9.0 V	—	—	± 1.0	pA
Input Offset Voltage	14-15	Active Guard	—	—	± 100	mV
	16-15	Active Guard	—	—	± 100	mV
	15-13	Detect Comparator	—	—	± 50	mV
Hysteresis	13	No Alarm to Alarm	90	130	170	mV
Common Mode Range	14-15	Guard Amplifier	2.0	—	$V_{DD} - 0.5$	V
	13-15	Smoke Comparator	0.5	—	$V_{DD} - 2.0$	V
Active Guard Impedance	14	to V_{SS}	—	10	—	k Ω
	16	to V_{SS}	—	500	—	k Ω
Oscillator Period	12	No Alarm	1.34	1.67	2.00	s
		Alarm	32	40	48	ms
Oscillator Pulse Width	4		8.0	10	12	ms
Timer Period	4	After Pin 1 High-to-Low, No Smoke	8.0	10	12	min
Low Voltage Threshold	6	$T_A = 0$ to 50°C	7.2	—	7.8	V
Sensitivity Adj. Voltage	13	V_{13} / V_{DD} , pin 13 open circuit	48.5	50	51.5	%
Horn Output Voltage	10-11	$I_{OUT} = 16\text{ mA}$, $V_{DD} = 9.0\text{ V}$	—	0.1	0.5	V
		$I_{OUT} = 16\text{ mA}$, $V_{DD} = 7.2\text{ V}$	—	—	0.9	V
		$I_{OUT} = -16\text{ mA}$, $V_{DD} = 9.0\text{ V}$	8.5	8.8	—	V
		$I_{OUT} = -16\text{ mA}$, $V_{DD} = 7.2\text{ V}$	6.3	—	—	V
Horn Output ON Time	10-11	Alarm	120	160	208	ms
		Low Battery	8.0	10	12	ms
Horn Output OFF Time	10-11	Alarm	60	80	104	ms
		Low Battery	32	40	48	s
Timer Start Logic Levels	1	V_{IH}	3.5	—	—	V
		V_{IL}	—	—	1.5	V
Timer Start Input Current	1	$V_{IN} = 9.0\text{ V}$	20	—	80	μA
Timer Out Output Current	4	$V_{OUT} = 0.5\text{ V}$	500	—	—	μA

Continued next page . . .

NOTE 1: Negative current is defined as coming out of (sourcing) the specified device pin.

NOTE 2: Alarm (Smoke) Condition is defined as $V_{15} < V_{13}$; No Alarm (No Smoke) Condition as $V_{15} > V_{13}$.

5349

AC SMOKE DETECTOR

with INTERCONNECT

and TIMER

ELECTRICAL CHARACTERISTICS continued

Characteristic	Test Pin	Test Conditions	Limits			
			Min.	Typ.	Max.	Units
LED Output ON Current	5	$V_{DD} = 7.2 \text{ V}$, $V_{OUT} = 1.0 \text{ V}$	10	—	—	mA
LED Output ON Time	5	Local Alarm	constant OFF			—
		Timer Mode, No Alarm	—	8.35	—	s
LED Output OFF Time	5	No Alarm, In Standby	constant ON			—
		No Alarm, Timer Mode After Pin 1 High-to-Low	—	1.67	—	s
I/O Current	2	No Alarm, $V_{I/O} = V_{DD} - 2.0 \text{ V}$	25	—	60	μA
		Alarm, $V_{I/O} = V_{DD} - 2.0 \text{ V}$	-7.5	—	—	mA
I/O Alarm Voltage	2	External "Alarm" In	3.0	—	—	V
I/O Delay	2	"Alarm" Out	—	3.0	—	s
Supply Current	6	$V_{DD} = 9.0 \text{ V}$, No Alarm, No Loads	—	5.0	9.0	μA
		$V_{DD} = 12 \text{ V}$, No Alarm, No Loads	—	—	12	μA

NOTE 1: Negative current is defined as coming out of (sourcing) the specified device pin.

NOTE 2: Alarm (Smoke) Condition is defined as $V_{15} < V_{13}$; No Alarm (No Smoke) Condition as $V_{15} > V_{13}$.

CIRCUIT DESCRIPTION

The A5349CA is a low-current CMOS circuit providing all of the required features for an ionization-type smoke detector.

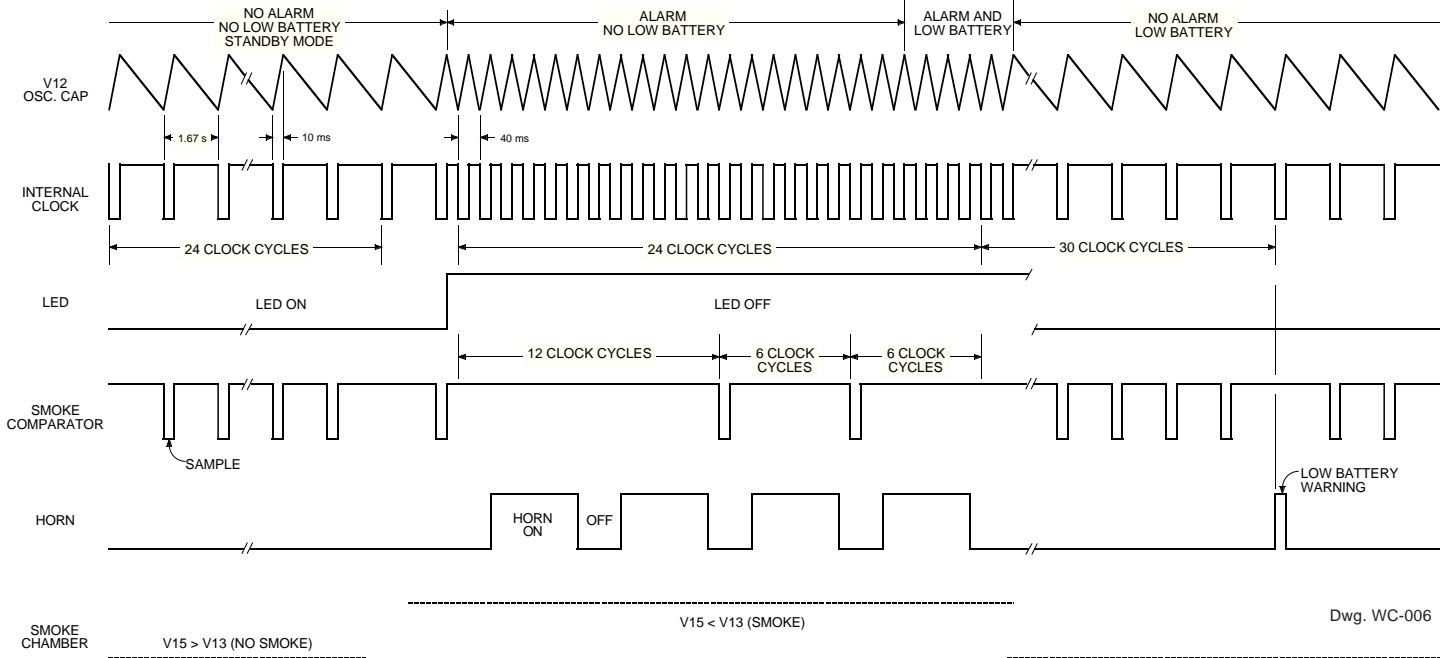
Oscillator. An internal oscillator operates with a period of 1.67 seconds during no-smoke conditions. Every 1.67 seconds, internal power is applied to the entire circuit and a check is made for smoke. Every 24 clock cycles (40 seconds), a check is made for low supply by comparing V_{DD} to an internal reference. Since very-low currents are used in the device, the oscillator capacitor at pin 12 should be a low-leakage type (PTFE, polystyrene, or polypropylene).

Detector Circuitry. When smoke is detected, the resistor divider network that sets the sensitivity (smoke trip point) is altered to increase the sensitivity set voltage (pin 13) by typically 130 mV with no external connections to pins 3 or 13. This provides hysteresis and reduces false triggering. An active guard is provided on both pins adjacent to the detector input (pin 15). The voltage at pins 14 and 16 will be within 100 mV of the input. This will keep surface leakage currents to a minimum and provide a method of measuring the input voltage without loading the ionization chamber. The active-guard amplifier is not power strobed and thus provides constant protection from surface leakage currents. The detector input has internal diode protection against static damage.

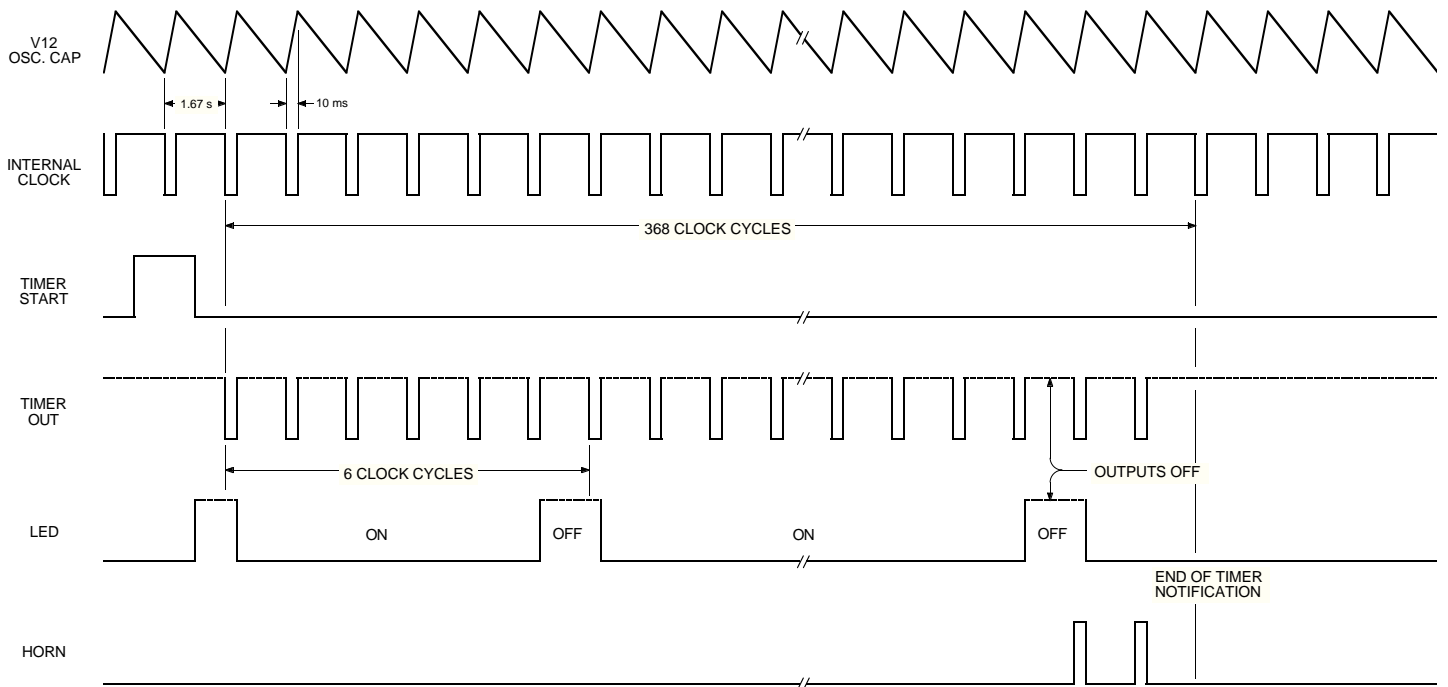
5349 AC SMOKE DETECTOR with INTERCONNECT and TIMER

TIMING DIAGRAMS IN TYPICAL APPLICATION

NON-TIMER MODE



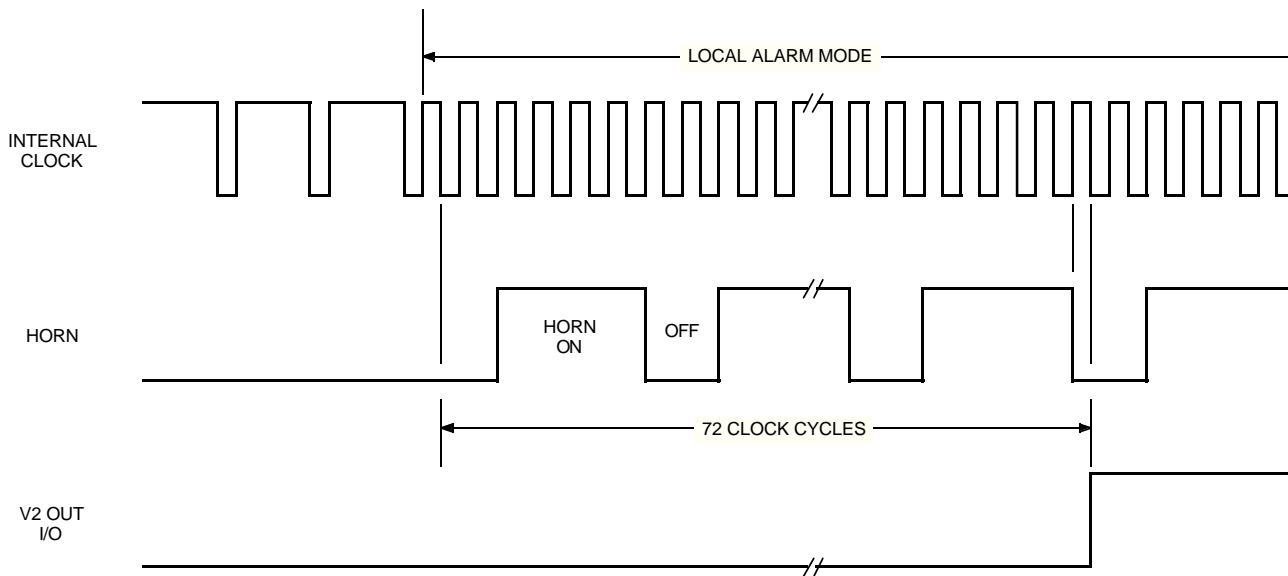
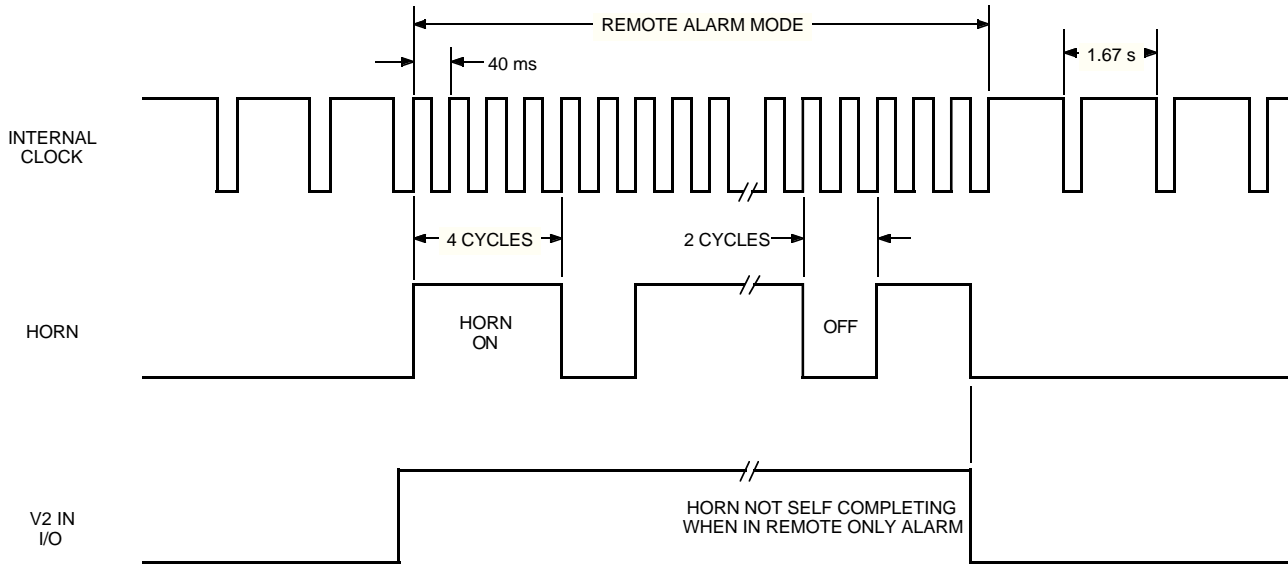
TIMER MODE



5349

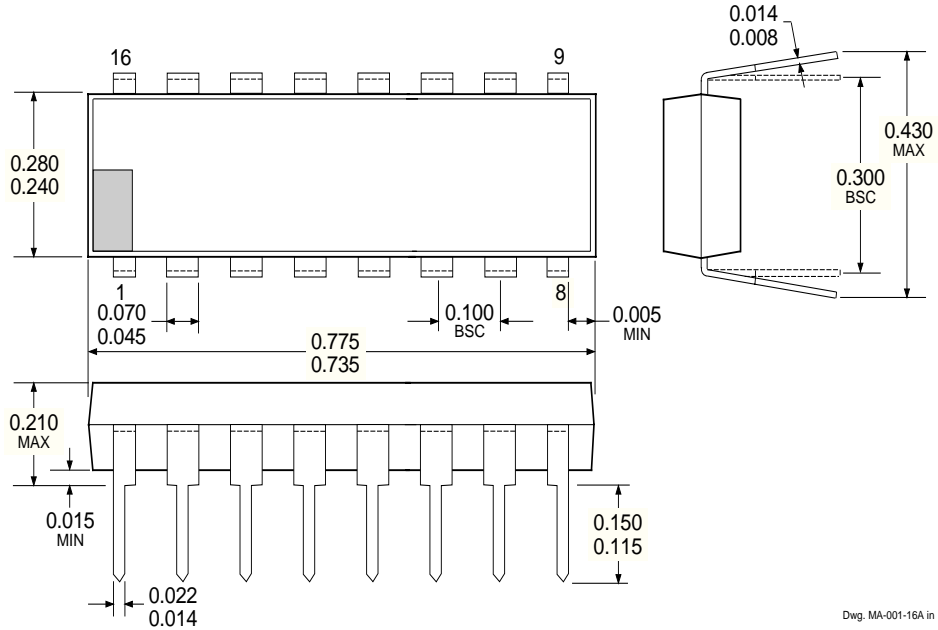
AC SMOKE DETECTOR with INTERCONNECT and TIMER

I/O OPERATION

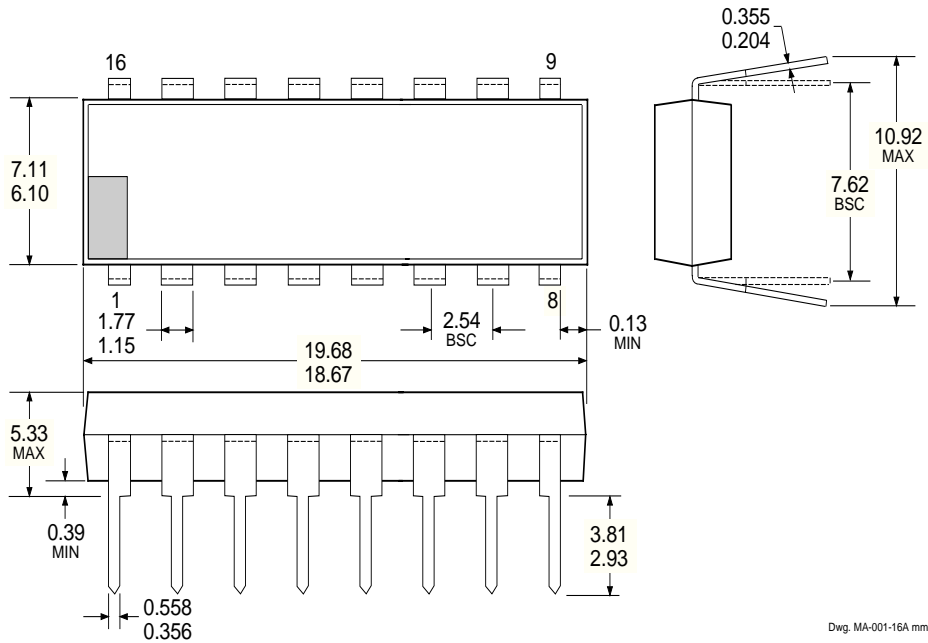


5349
AC SMOKE DETECTOR
with INTERCONNECT
and TIMER

Dimensions in Inches
 (controlling dimensions)



Dimensions in Millimeters
 (for reference only)



Allegro MicroSystems, Inc. reserves the right to make, from time to time, such departures from the detail specifications as may be required to permit improvements in the design of its products.

The information included herein is believed to be accurate and reliable. However, Allegro MicroSystems, Inc. assumes no responsibility for its use; nor for any infringements of patents or other rights of third parties which may result from its use.