

SM3504

4-Bit Single-Chip Microcomputer (For Data Bank Use)

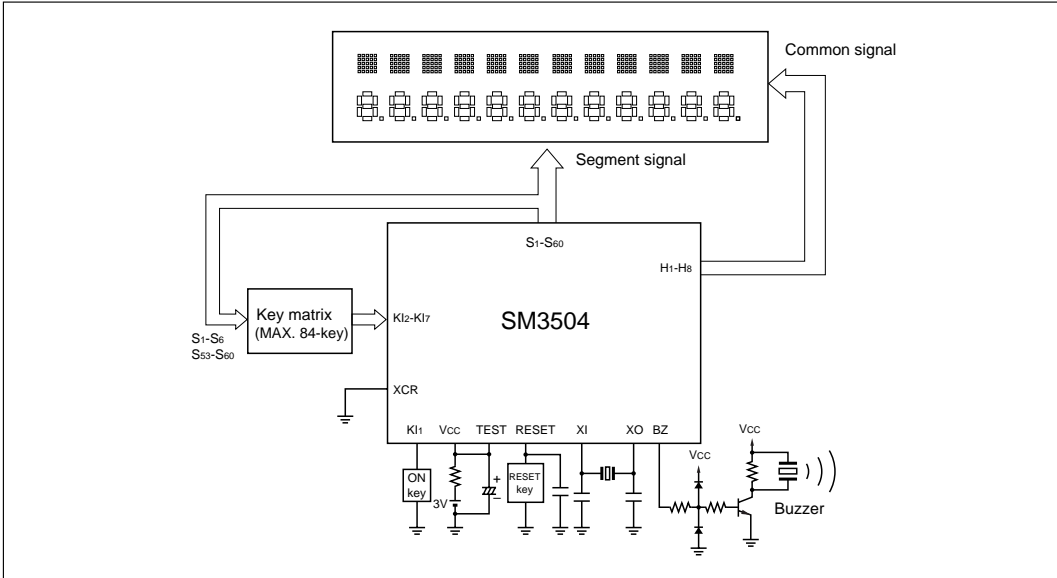
DESCRIPTION

The SM3504 is a CMOS 4-bit single-chip microcomputer for databank incorporating data memory RAM, LCD driver, key input circuit and buzzer output circuit. By connecting an external crystal, a 1 Hz timer interrupt is made possible for easier clock function.

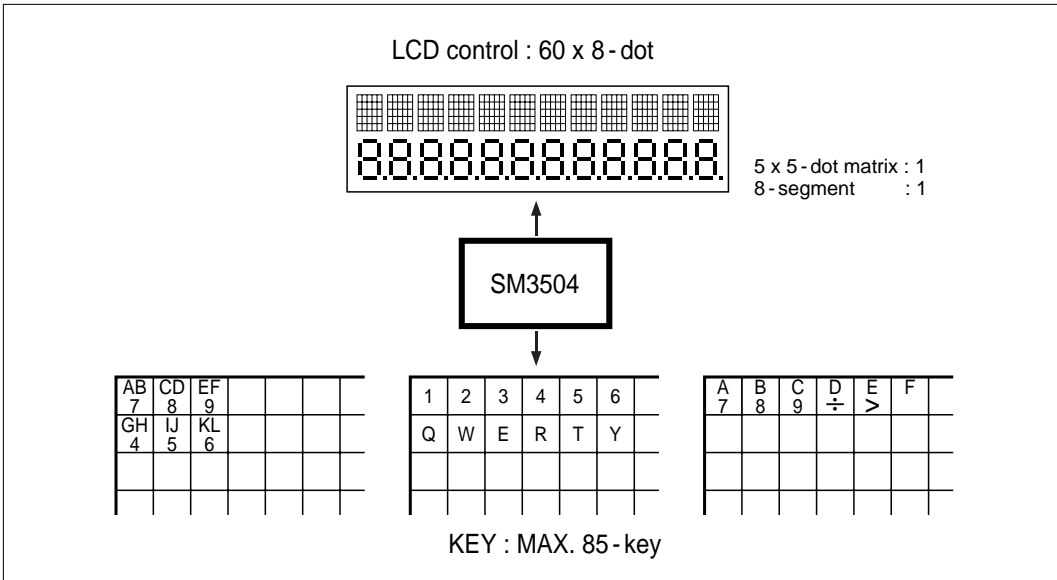
FEATURES

- ROM capacity :
 - Program ROM 6 k x 23 bits
 - Character ROM 5 x 8 x 128 bits
- RAM capacity :
 - Working RAM 256 x 4 bits
 - Display RAM 60 x 8 bits
 - Data RAM 512 x 8 bits
- LCD display : 60-segment x 8-common
- I/O ports :
 - Buzzer output 1 bit (4 kHz)
 - Key input 7 bits
- Standby release : 2 events (2 Hz signal, key input)
- Built-in oscillator :
 - System clock (built-in CR oscillator) 250 kHz
 - Timer (built-in CR oscillator) 32.8 kHz
 - (external crystal) 32.768 kHz
- Instruction cycle time : 12 μ s
- Operating temperature : -10 to +60°C
- Supply voltage : 2.5 to 3.4 V
- Package : 80-pin QFP (QFP080-P-1420)

SYSTEM CONFIGURATION EXAMPLE



APPLICATION EXAMPLE



80 QFP (QFP080-P-1420)

