

**SANYO**

NO.1235C

**LB1258****7-Unit, Low-Saturation Driver**

The LB1258 is a 7-unit driver array with large current, low saturation output. It is suited for low voltage, large current drivers.

**Features**

- Large current capacity (500mA) and low saturation voltage (0.65 Vmax).
- Especially suited for battery-powered printer drivers of various types and general-purpose 7-unit large current & low saturation voltage drivers.

**Absolute Maximum Ratings at Ta = 25°C**

			unit
Maximum Supply Voltage	V <sub>CC</sub> max	-0.3 to +7.0	V
Output Supply Voltage	V <sub>OUT</sub>	-0.3 to +10.0	V
Input Supply Voltage	V <sub>IN</sub>	-0.3 to +7.0	V
Maximum Output Current	I <sub>OUT</sub>	Per unit, pulse width ≤ 35ms	500 mA
GND Pin Flow-out Current	I <sub>GND</sub>	Pulse width ≤ 35ms	3000 mA
Allowable Power Dissipation	P <sub>d</sub> max		960 mW
Operating Temperature	T <sub>opr</sub>		-20 to +75 °C
Storage Temperature	T <sub>stg</sub>		-40 to +125 °C

**Allowable Operating Conditions at Ta = 25°C**

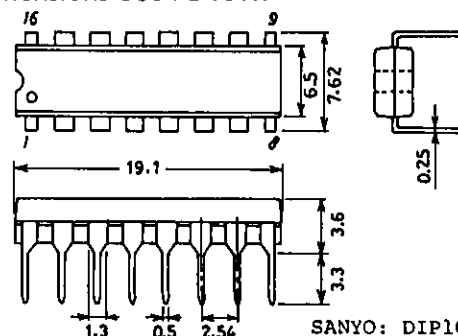
			unit
Supply Voltage	V <sub>CC</sub>	2.5 to 6.0	V
Input "H"-level Voltage	V <sub>IH</sub> I <sub>OUT</sub> = 150mA	2.5 to 7.0	V
Input "L"-level Voltage	V <sub>IL</sub> I <sub>OUT</sub> ≤ 100μA	-0.3 to +0.7	V

**Electrical Characteristics at Ta = 25°C**

			min	typ	max	unit
Output Voltage	V <sub>OUT1</sub>	V <sub>IN</sub> = 3.0V, V <sub>CC</sub> = 3.5V			0.25	V
		I <sub>OUT</sub> = 200mA				
	V <sub>OUT2</sub>	V <sub>IN</sub> = 5.5V, V <sub>CC</sub> = 6.0V			0.5	V
	V <sub>OUT3</sub>	V <sub>IN</sub> = 5.5V, V <sub>CC</sub> = 6.0V			0.65	V
		I <sub>OUT</sub> = 500mA				
Output Sustain Voltage	V <sub>O(SUS)</sub>	V <sub>IN</sub> : open, I <sub>OUT</sub> = 400mA	10			V
Supply + Output Leakage Current	I <sub>(OFF)</sub>	V <sub>IN</sub> = 0.5V, V <sub>OUT</sub> = V <sub>CC</sub> = 6.0V			30	μA
Input Current	I <sub>IN</sub>	V <sub>IN</sub> = 6.0V, I <sub>OUT</sub> = 0			2.5	mA

**Package Dimensions 3064-D16TR**

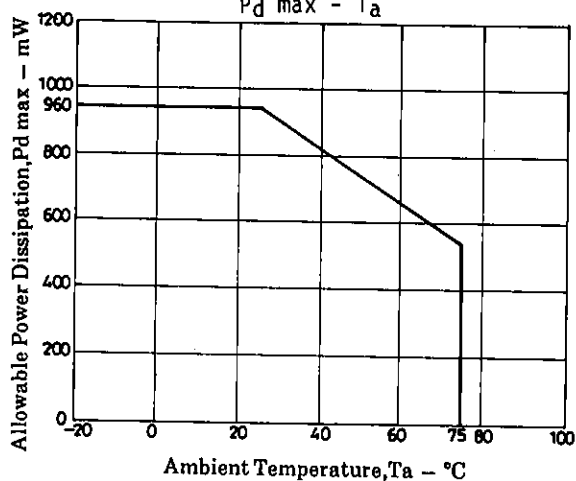
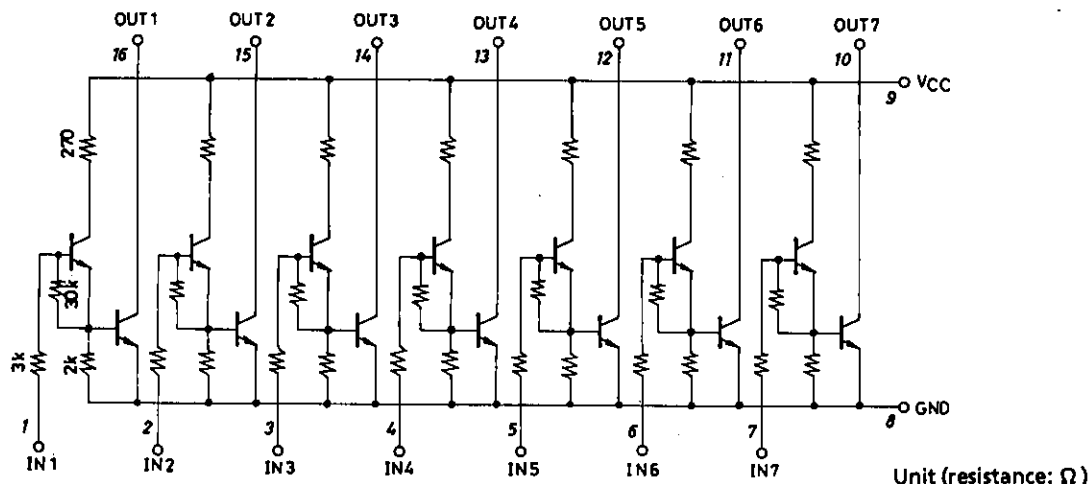
(unit : mm)

**SANYO Electric Co., Ltd. Semiconductor Business Headquarters**

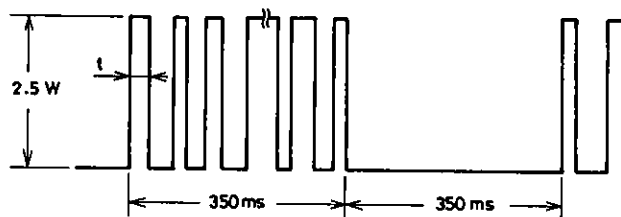
TOKYO OFFICE Tokyo Bldg., 1-10, 1 Chome, Ueno, Taito-ku, TOKYO, 110 JAPAN

O3095YK/ 7079YT/8037KI/4055KI/2103KI/3182KI, TS No.1366-1/2

Equivalent Circuit



Dissipation for the following waveform at  $T_a = 60^\circ\text{C}$ .



$t \leq 35\text{ms}$  and 40% 350ms duty ( $\overline{P_d} = 0.5\text{W}$ )

- No products described or contained herein are intended for use in surgical implants, life-support systems, aerospace equipment, nuclear power control systems, vehicles, disaster/crime-prevention equipment and the like, the failure of which may directly or indirectly cause injury, death or property loss.
- Anyone purchasing any products described or contained herein for an above-mentioned use shall:
  - ① Accept full responsibility and indemnify and defend SANYO ELECTRIC CO., LTD., its affiliates, subsidiaries and distributors and all their officers and employees, jointly and severally, against any and all claims and litigation and all damages, cost and expenses associated with such use.
  - ② Not impose any responsibility for any fault or negligence which may be cited in any such claim or litigation on SANYO ELECTRIC CO., LTD., its affiliates, subsidiaries and distributors or any of their officers and employees jointly or severally.
- Information (including circuit diagrams and circuit parameters) herein is for example only; it is not guaranteed for volume production. SANYO believes information herein is accurate and reliable, but no guarantees are made or implied regarding its use or any infringements of intellectual property rights or other rights of third parties.