

FEATURES

- Wide Operating V_{IN} Range: Up to 80V
- Rugged Architecture Tolerant of 100V V_{IN} Transients
- Powerful 1.5 Ω Driver Pull-Down
- Powerful 2.4A Peak Current Driver Pull-Up
- 7ns Fall Time Driving 1000pF Load
- 10ns Rise Time Driving 1000pF Load
- Drives Standard Threshold MOSFETs
- TTL/CMOS Compatible Inputs with Hysteresis
- Input Thresholds are Independent of Supply
- Undervoltage Lockout
- Low Profile (1mm) SOT-23 (ThinSOT)[™] or Thermally Enhanced 8-Pin MSOP Packages

APPLICATIONS

- Telecommunications Power Systems
- Distributed Power Architectures
- Server Power Supplies
- High Density Power Modules

DESCRIPTION

The LTC[®]4440 is a high frequency high side N-channel MOSFET gate driver that is designed to operate in applications with V_{IN} voltages up to 80V. The LTC4440 can also withstand and continue to function during 100V V_{IN} transients. The powerful driver capability reduces switching losses in MOSFETs with high gate capacitances. The LTC4440's pull-up has a peak output current of 2.4A and its pull-down has an output impedance of 1.5 Ω .

The LTC4440 features supply independent TTL/CMOS compatible input thresholds with 350mV of hysteresis. The input logic signal is internally level-shifted to the bootstrapped supply, which may function at up to 115V above ground.

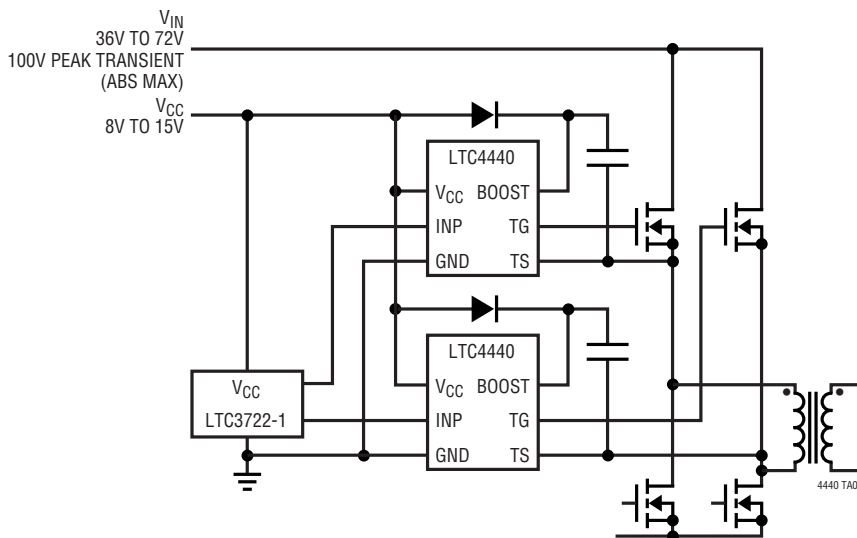
The LTC4440 contains both high side and low side undervoltage lockout circuits that disable the external MOSFET when activated.

The LTC4440 is available in the low profile (1mm) SOT-23 or a thermally enhanced 8-lead MSOP package.

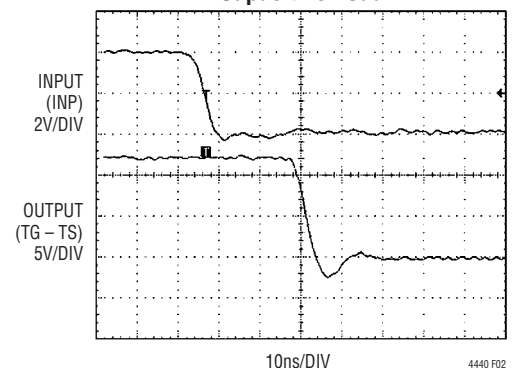
LTC, LTC and LT are registered trademarks of Linear Technology Corporation. ThinSOT is a trademark of Linear Technology Corporation.

TYPICAL APPLICATION

Synchronous Phase-Modulated Full-Bridge Converter



LTC4440 Driving a 1000pF Capacitive Load



LTC4440

ABSOLUTE MAXIMUM RATINGS (Note 1)

| | | | |
|----------------------------------|---------------|---|----------------|
| Supply Voltage | | Peak Output Current < 1 μ s (TG) | 4A |
| V_{CC} | -0.3V to 15V | Driver Output TG (with Respect to TS) | -0.3V to 15V |
| BOOST – TS | -0.3V to 15V | Operating Ambient Temperature Range | |
| INP Voltage | -0.3V to 15V | (Note 2) | -40°C to 85°C |
| BOOST Voltage (Continuous) | -0.3V to 95V | Junction Temperature (Note 3) | 150°C |
| BOOST Voltage (100ms) | -0.3V to 115V | Storage Ambient Temperature Range ... | -65°C to 150°C |
| TS Voltage (Continuous) | -5V to 80V | Lead Temperature (Soldering, 10 sec) | 300°C |
| TS Voltage (100ms) | -5V to 100V | | |

PACKAGE/ORDER INFORMATION

| | | | |
|--|-------------------|---|-------------------|
| <p>MS8E PACKAGE 8-LEAD PLASTIC MSOP $T_{JMAX} = 150^{\circ}\text{C}$, $\theta_{JA} = 40^{\circ}\text{C/W}$ (NOTE 4) EXPOSED PAD IS GND (PIN 9) MUST BE SOLDERED TO PCB</p> | ORDER PART NUMBER | <p>S6 PACKAGE 6-LEAD PLASTIC SOT-23 $T_{JMAX} = 150^{\circ}\text{C}$, $\theta_{JA} = 230^{\circ}\text{C/W}$</p> | ORDER PART NUMBER |
| | LTC4440EMS8E | | LTC4440ES6 |
| | MS8E PART MARKING | | S6 PART MARKING |
| | LTF9 | | LTZY |

Consult LTC Marketing for parts specified with wider operating temperature ranges.

ELECTRICAL CHARACTERISTICS

The ● denotes specifications which apply over the full operating temperature range, otherwise specifications are at $T_A = 25^{\circ}\text{C}$. $V_{CC} = V_{BOOST} = 12\text{V}$, $V_{TS} = \text{GND} = 0\text{V}$, unless otherwise noted.

| SYMBOL | PARAMETER | CONDITIONS | MIN | TYP | MAX | UNITS |
|--|---|--|------------------|------------|--------------|--------------------------------|
| Main Supply (V_{CC}) | | | | | | |
| I_{VCC} | DC Supply Current Normal Operation UVLO | INP = 0V $V_{IN} < \text{UVLO Threshold} - 0.1\text{V}$ | | 250 25 | 400 80 | μA μA |
| UVLO | Undervoltage Lockout Threshold | V_{CC} Rising V_{CC} Falling Hysteresis | ● 5.7 ● 5.4 | 6.5 6.2 | 7.3 7.0 | V V mV |
| Bootstrapped Supply (BOOST – TS) | | | | | | |
| I_{BOOST} | DC Supply Current Normal Operation UVLO | INP = 0V $V_{BOOST} - V_{TS} < \text{UVLO}_{HS} - 0.1\text{V}$, INP = 0V | | 110 86 | 180 170 | μA μA |
| UVLO _{HS} | Undervoltage Lockout Threshold | $V_{BOOST} - V_{TS}$ Rising $V_{BOOST} - V_{TS}$ Falling Hysteresis | ● 6.75 ● 6.25 | 7.4 6.9 | 7.95 7.60 | V V mV |
| Input Signal (INP) | | | | | | |
| V_{IH} | High Input Threshold | INP Ramping High | ● 1.3 | 1.6 | 2 | V |
| V_{IL} | Low Input Threshold | INP Ramping Low | ● 0.85 | 1.25 | 1.6 | V |
| $V_{IH} - V_{IL}$ | Input Voltage Hysteresis | | | 0.350 | | V |
| I_{INP} | Input Pin Bias Current | | | ± 0.01 | ± 2 | μA |

4440i

ELECTRICAL CHARACTERISTICS The ● denotes specifications which apply over the full operating temperature range, otherwise specifications are at $T_A = 25^\circ\text{C}$. $V_{CC} = V_{\text{BOOST}} = 12\text{V}$, $V_{\text{TS}} = \text{GND} = 0\text{V}$, unless otherwise noted.

| SYMBOL | PARAMETER | CONDITIONS | MIN | TYP | MAX | UNITS |
|--------------------------------|-----------------------------------|---|-----|-----------|-----|----------|
| Output Gate Driver (TG) | | | | | | |
| V_{OH} | High Output Voltage | $I_{\text{TG}} = -10\text{mA}$, $V_{\text{OH}} = V_{\text{BOOST}} - V_{\text{TG}}$ | | 0.7 | | V |
| V_{OL} | Low Output Voltage | $I_{\text{TG}} = 100\text{mA}$ | ● | 150 | 220 | mV |
| I_{PU} | Peak Pull-Up Current | | ● | 1.7 | 2.4 | A |
| R_{DS} | Output Pull-Down Resistance | | ● | 1.5 | 2.2 | Ω |
| Switching Timing | | | | | | |
| t_r | Output Rise Time | 10% – 90%, $C_L = 1\text{nF}$ 10% – 90%, $C_L = 10\text{nF}$ | | 10 100 | | ns ns |
| t_f | Output Fall Time | 10% – 90%, $C_L = 1\text{nF}$ 10% – 90%, $C_L = 10\text{nF}$ | | 7 70 | | ns ns |
| t_{PLH} | Output Low-High Propagation Delay | | ● | 30 | 65 | ns |
| t_{PHL} | Output High-Low Propagation Delay | | ● | 28 | 65 | ns |

Note 1: Absolute Maximum Ratings are those values beyond which the life of a device may be impaired.

Note 2: The LTC4440 is guaranteed to meet performance specifications from 0°C to 70°C . Specifications over the -40°C to 85°C operating temperature range are assured by design, characterization and correlation with statistical process controls.

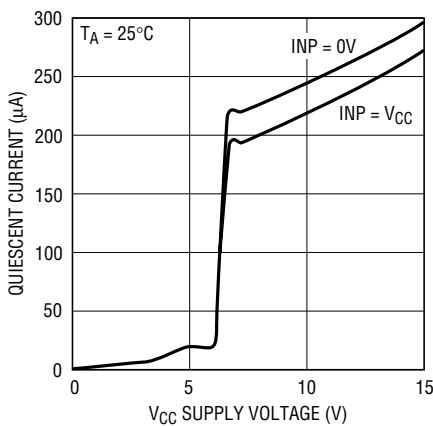
Note 3: T_J is calculated from the ambient temperature T_A and power dissipation PD according to the following formula:

$$T_J = T_A + (PD \cdot \theta_{JA}^\circ\text{C/W})$$

Note 4: Failure to solder the exposed back side of the MS8E package to the PC board will result in a thermal resistance much higher than 40°C/W .

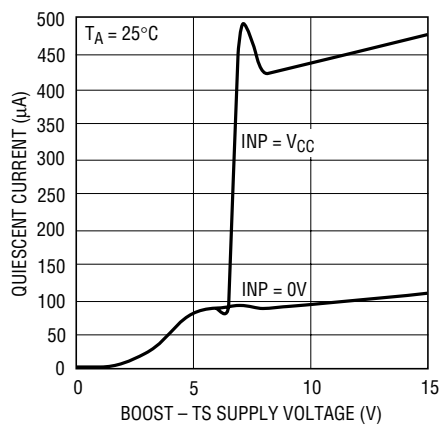
TYPICAL PERFORMANCE CHARACTERISTICS

V_{CC} Supply Quiescent Current vs Voltage



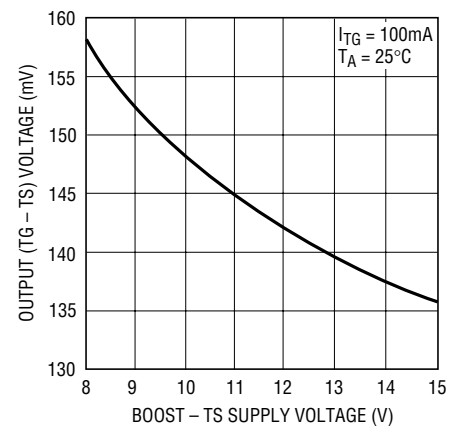
4440 G01

BOOST – TS Supply Quiescent Current vs Voltage



4440 G02

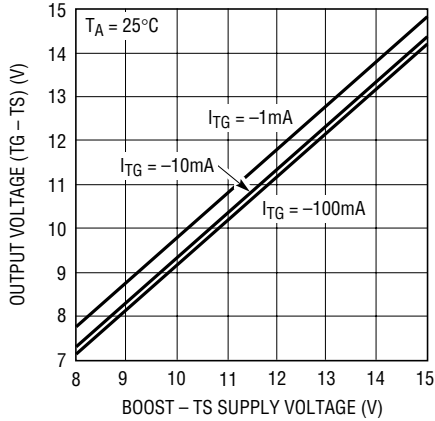
Output Low Voltage (V_{OL}) vs Supply Voltage



4440 G03

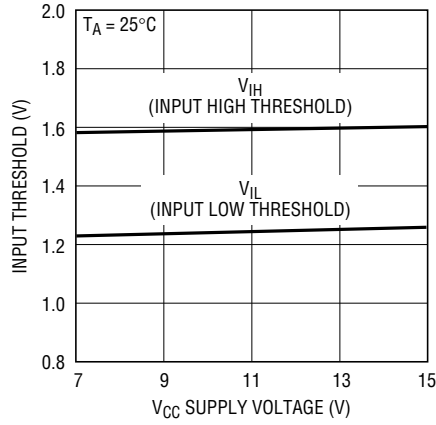
TYPICAL PERFORMANCE CHARACTERISTICS

Output High Voltage (V_{OH}) vs Supply Voltage



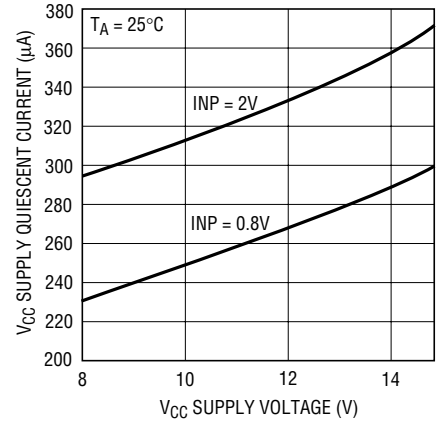
4440 G04

Input Thresholds (INP) vs Supply Voltage



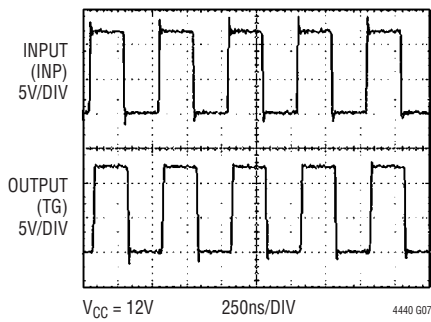
4440 G05

V_{CC} Supply Current at TTL Input Levels



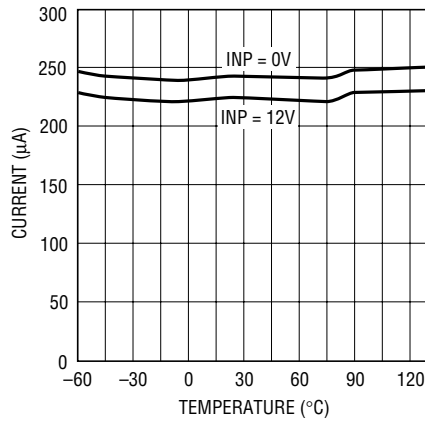
4440 G06

2MHz Operation



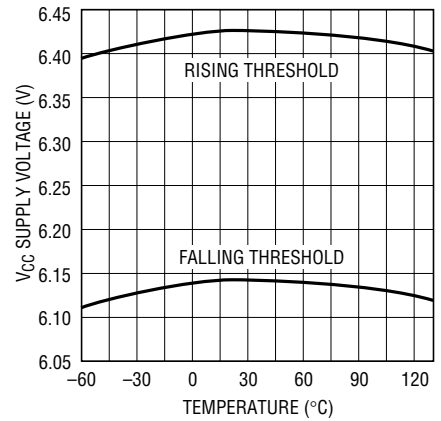
4440 G07

V_{CC} Supply Current ($V_{CC} = 12V$) vs Temperature



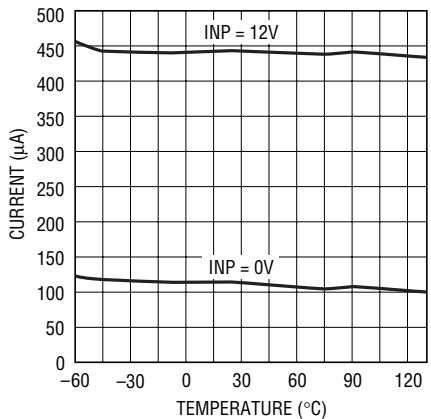
4440 G08

V_{CC} Undervoltage Lockout Thresholds vs Temperature



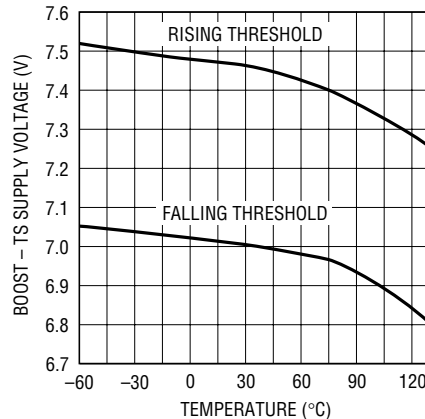
4440 G09

Boost Supply Current vs Temperature



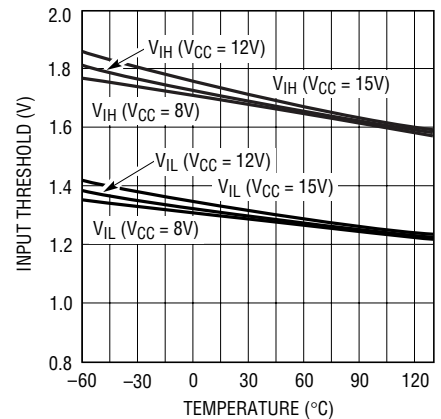
4440 G10

Boost Supply (BOOST - TS) Undervoltage Lockout Thresholds vs Temperature



4440 G11

Input Threshold vs Temperature

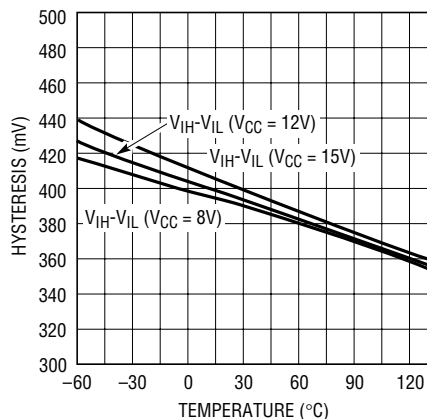


4440 G12

4440i

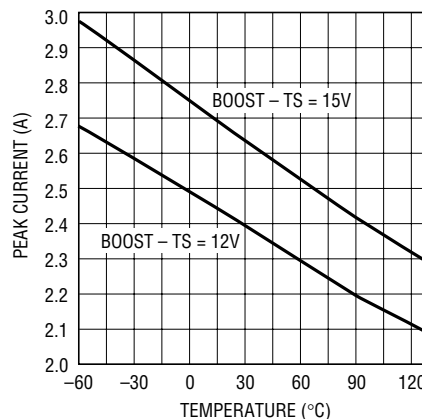
TYPICAL PERFORMANCE CHARACTERISTICS

Input Threshold Hysteresis vs Temperature



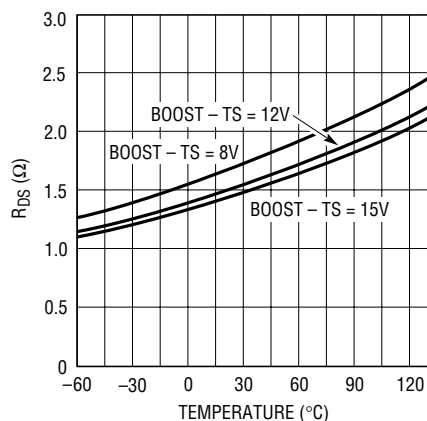
4440 G13

Peak Driver (TG) Pull-Up Current vs Temperature



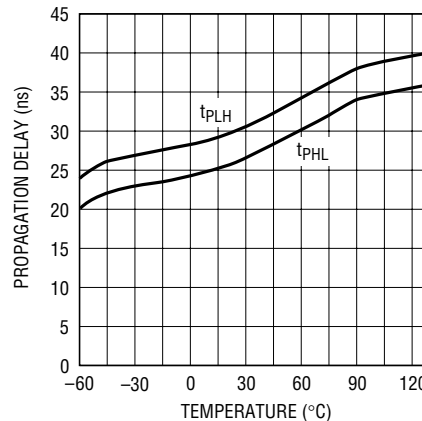
4440 G14

Output Driver Pull-Down Resistance vs Temperature



4440 G15

Propagation Delay vs Temperature (V_{CC} = BOOST = 12V)



4440 G16

PIN FUNCTIONS

SOT-23 Package

V_{CC} (Pin 1): Chip Supply. This pin powers the internal low side circuitry. A low ESR ceramic bypass capacitor should be tied between this pin and the GND pin (Pin 2).

GND (Pin 2): Chip Ground.

INP (Pin 3): Input Signal. TTL/CMOS compatible input referenced to GND (Pin 2).

TS (Pin 4): Top (High Side) Source Connection.

TG (Pin 5): High Current Gate Driver Output (Top Gate). This pin swings between TS and BOOST - 0.7V.

BOOST (Pin 6): High Side Bootstrapped Supply. An external capacitor should be tied between this pin and TS (Pin 4). Normally, a bootstrap diode is connected between V_{CC} (Pin 1) and this pin. Voltage swing at this pin is from V_{CC} - V_D to V_{IN} + V_{CC} - V_D, where V_D is the forward voltage drop of the bootstrap diode.

APPLICATIONS INFORMATION

Overview

The LTC4440 receives a ground-referenced, low voltage digital input signal to drive a high side N-channel power MOSFET whose drain can float up to 100V above ground, eliminating the need for a transformer between the low voltage control signal and the high side gate driver. The LTC4440 normally operates in applications with input supply voltages (V_{IN}) up to 80V, but is able to withstand and continue to function during 100V, 100ms transients on the input supply.

The powerful output driver of the LTC4440 reduces the switching losses of the power MOSFET, which increase with transition time. The LTC4440 is capable of driving a 1nF load with 10ns rise and 7ns fall times using a bootstrapped supply voltage $V_{BOOST-TS}$ of 12V.

Input Stage

The LTC4440 employs TTL/CMOS compatible input thresholds that allow a low voltage digital signal to drive standard power MOSFETs. The LTC4440 contains an internal voltage regulator that biases the input buffer, allowing the input thresholds ($V_{IH} = 1.6V$, $V_{IL} = 1.25V$) to be independent of variations in V_{CC} . The 350mV hysteresis between V_{IH} and V_{IL} eliminates false triggering due to noise during switching transitions. However, care should be taken to keep this pin from any noise pickup, especially in high frequency, high voltage applications. The LTC4440 input buffer has a high input impedance and draws negligible input current, simplifying the drive circuitry required for the input.

Output Stage

A simplified version of the LTC4440's output stage is shown in Figure 3. The pull-down device is an N-channel MOSFET (N1) and the pull-up device is an NPN bipolar junction transistor (Q1). The output swings from the lower rail (TS) to within an NPN V_{BE} ($\sim 0.7V$) of the positive rail (BOOST). This large voltage swing is important in driving external power MOSFETs, whose $R_{DS(ON)}$ is inversely proportional to its gate overdrive voltage ($V_{GS} - V_{TH}$).

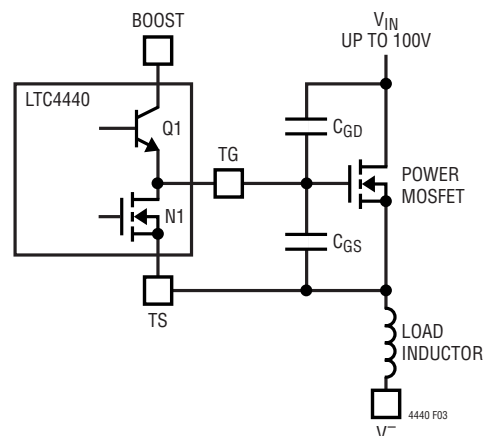


Figure 3. Capacitance Seen by TG During Switching

The LTC4440's peak pull-up (Q1) current is 2.4A while the pull-down (N1) resistance is 1.6 Ω . The low impedance of N1 is required to discharge the power MOSFET's gate capacitance during high-to-low signal transitions. When the power MOSFET's gate is pulled low (gate shorted to source through N1) by the LTC4440, its source (TS) is pulled low by its load (e.g., an inductor or resistor). The slow rate of the source/gate voltage causes current to flow back to the MOSFET's gate through the gate-to-drain capacitance (C_{GD}). If the MOSFET driver does not have sufficient sink current capability (low output impedance), the current through the power MOSFET's C_{GD} can momentarily pull the gate high, turning the MOSFET back on.

A similar scenario exists when the LTC4440 is used to drive a low side MOSFET. When the low side power MOSFET's gate is pulled low by the LTC4440, its drain voltage is pulled high by its load (e.g., inductor or resistor). The slow rate of the drain voltage causes current to flow back to the MOSFET's gate through its gate-to-drain capacitance. If the MOSFET driver does not have sufficient sink current capability (low output impedance), the current through the power MOSFET's C_{GD} can momentarily pull the gate high, turning the MOSFET back on.

APPLICATIONS INFORMATION

Rise/Fall Time

Since the power MOSFET generally accounts for the majority of the power loss in a converter, it is important to quickly turn it on or off, thereby minimizing the transition time in its linear region. The LTC4440 can drive a 1nF load with a 10ns rise time and 7ns fall time.

The LTC4440's rise and fall times are determined by the peak current capabilities of Q1 and N1. The predriver that drives Q1 and N1 uses a nonoverlapping transition scheme to minimize cross-conduction currents. N1 is fully turned off before Q1 is turned on and vice versa.

Power Dissipation

To ensure proper operation and long-term reliability, the LTC4440 must not operate beyond its maximum temperature rating. Package junction temperature can be calculated by:

$$T_J = T_A + PD (\theta_{JA})$$

where:

T_J = Junction Temperature

T_A = Ambient Temperature

PD = Power Dissipation

θ_{JA} = Junction-to-Ambient Thermal Resistance

Power dissipation consists of standby and switching power losses:

$$PD = P_{STDBY} + P_{AC}$$

where:

P_{STDBY} = Standby Power Losses

P_{AC} = AC Switching Losses

The LTC4440 consumes very little current during standby. The DC power loss at $V_{CC} = 12V$ and $V_{BOOST-TS} = 12V$ is only $(250\mu A + 110\mu A)(12V) = 4.32mW$.

AC switching losses are made up of the output capacitive load losses and the transition state losses. The capacitive load losses are primarily due to the large AC currents needed to charge and discharge the load capacitance during switching. Load losses for the output driver driving a pure capacitive load C_{OUT} would be:

$$\text{Load Capacitive Power} = (C_{OUT})(f)(V_{BOOST-TS})^2$$

The power MOSFET's gate capacitance seen by the driver output varies with its V_{GS} voltage level during switching. A power MOSFET's capacitive load power dissipation can be calculated using its gate charge, Q_G . The Q_G value corresponding to the MOSFET's V_{GS} value (V_{CC} in this case) can be readily obtained from the manufacturer's Q_G vs V_{GS} curves:

$$\text{Load Capacitive Power (MOS)} = (V_{BOOST-TS})(Q_G)(f)$$

Transition state power losses are due to both AC currents required to charge and discharge the driver's internal nodal capacitances and cross-conduction currents in the internal gates.

Undervoltage Lockout (UVLO)

The LTC4440 contains both low side and high side undervoltage lockout detectors that monitor V_{CC} and the bootstrapped supply $V_{BOOST-TS}$. When V_{CC} falls below 6.2V, the internal buffer is disabled and the output pin OUT is pulled down to TS. When $V_{BOOST-TS}$ falls below 6.9V, OUT is pulled down to TS. When both supplies are undervoltage, OUT is pulled low to TS and the chip enters a low current mode, drawing approximately 25 μA from V_{CC} and 86 μA from BOOST.

APPLICATIONS INFORMATION

Bypassing and Grounding

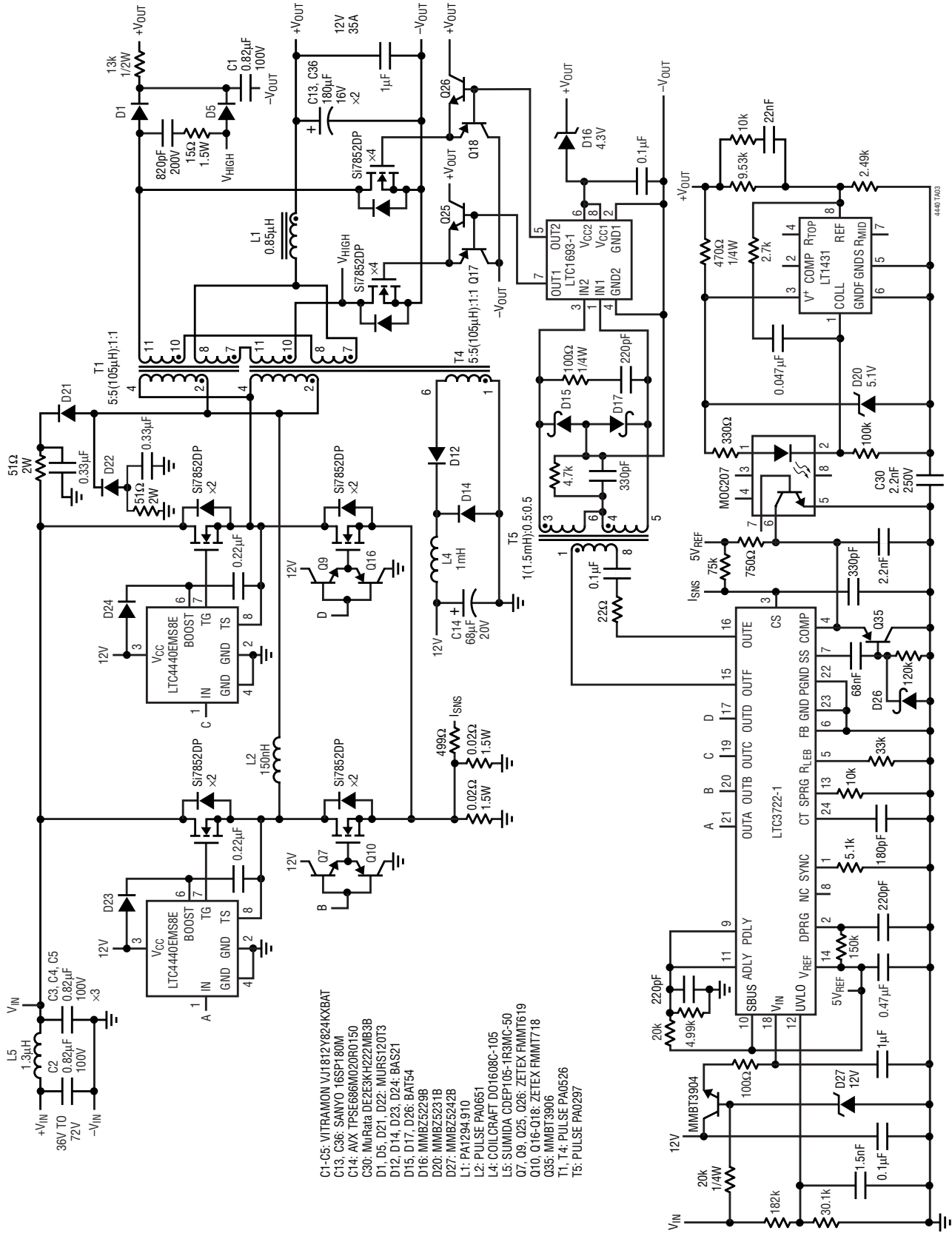
The LTC4440 requires proper bypassing on the V_{CC} and $V_{BOOST-TS}$ supplies due to its high speed switching (nanoseconds) and large AC currents (Amperes). Careless component placement and PCB trace routing may cause excessive ringing and under/overshoot.

To obtain the optimum performance from the LTC4440:

- A. Mount the bypass capacitors as close as possible between the V_{CC} and GND pins and the BOOST and TS pins. The leads should be shortened as much as possible to reduce lead inductance.
- B. Use a low inductance, low impedance ground plane to reduce any ground drop and stray capacitance. Remember that the LTC4440 switches $>2A$ peak currents and any significant ground drop will degrade signal integrity.
- C. Plan the power/ground routing carefully. Know where the large load switching current is coming from and going to. Maintain separate ground return paths for the input pin and the output power stage.
- D. Keep the copper trace between the driver output pin and the load short and wide.
- E. When using the MS8E package, be sure to solder the exposed pad on the back side of the LTC4440 package to the board. Correctly soldered to a 2500mm^2 double-sided 1oz copper board, the LTC4440 has a thermal resistance of approximately 40°C/W . Failure to make good thermal contact between the exposed back side and the copper board will result in thermal resistances far greater than 40°C/W .

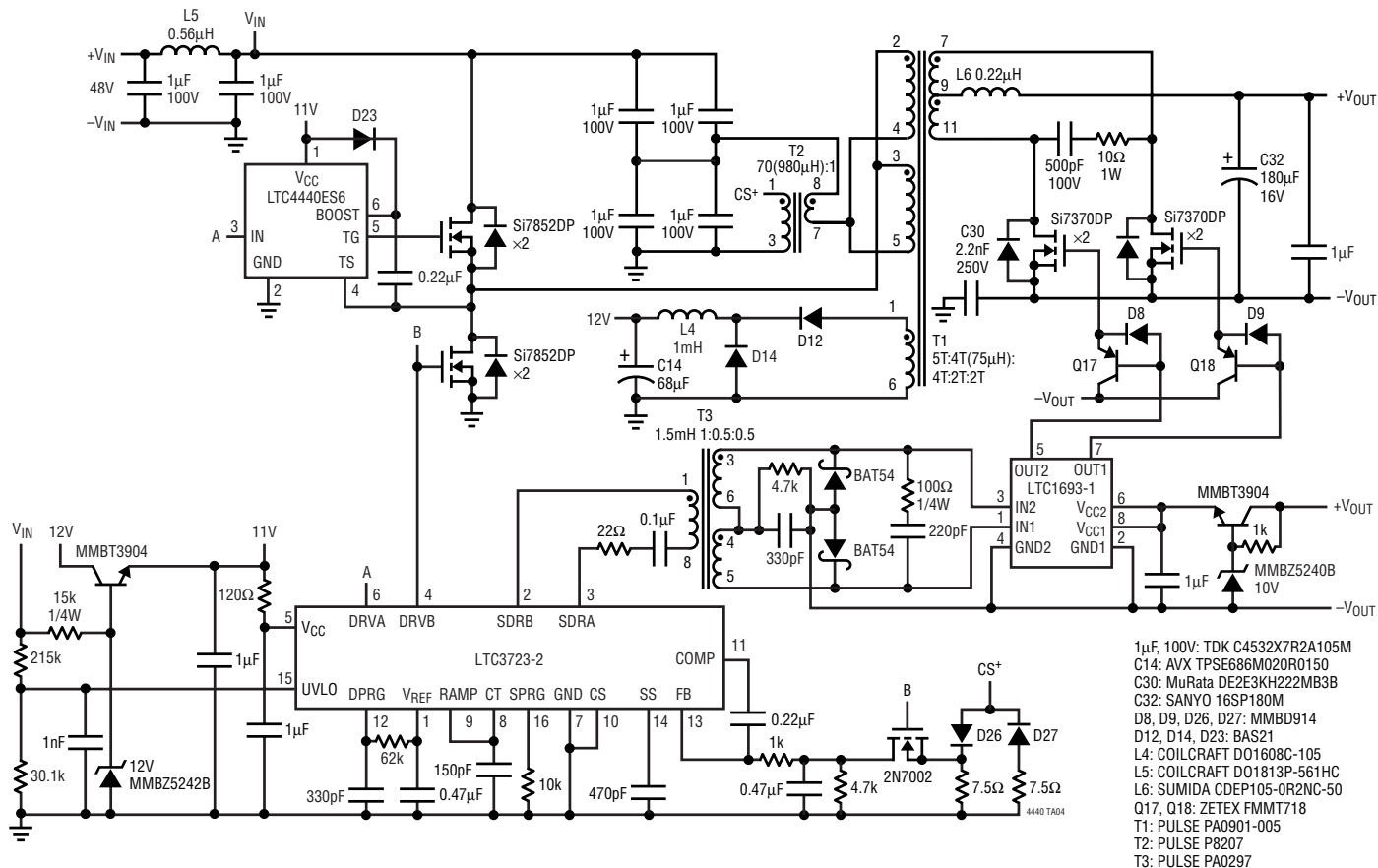
TYPICAL APPLICATION

LTC3722/LTC4440 420W 36V-72V Input to 12V/35A Isolated Full-Bridge Supply



TYPICAL APPLICATION

LTC3723-2/LTC4440 240W 42V-56V Input 94.5% Efficient Unregulated 12V Half-Bridge Converter



RELATED PARTS

| PART NUMBER | DESCRIPTION | COMMENTS |
|-------------------------|---|---|
| LTC1154 | High Side Micropower MOSFET Drivers | Internal Charge Pump, 4.5V to 48V Supply Range, $t_{ON} = 80\mu s$, $t_{OFF} = 28\mu s$ |
| LTC1155 | Dual Micropower High/Low Side Drivers with Internal Charge Pump | 4.5V to 18V Supply Range |
| LT [®] 1161 | Quad Protected High Side MOSFET Driver | 8V to 48V Supply Range, $t_{ON} = 200\mu s$, $t_{OFF} = 28\mu s$ |
| LTC1163 | Triple 1.8V to 6V High Side MOSFET Driver | 1.8V to 6V Supply Range, $t_{ON} = 95\mu s$, $t_{OFF} = 45\mu s$ |
| LT1339 | High Power Synchronous DC/DC Controller | Current Mode Operation Up to 60V, Dual N-Channel Synchronous Drive |
| LTC1535 | Isolated RS485 Transceiver | 2500V _{RMS} of Isolation Between Line Transceiver and Logic Level Interface |
| LTC1693 Family | High Speed Dual MOSFET Drivers | 1.5A Peak Output Current, $4.5V \leq V_{IN} \leq 13.2V$ |
| LT3010/LT3010-5 | 50mA, 3V to 80V Low Dropout Micropower Regulators | Low Quiescent Current (30μA), Stable with Small (1μF) Ceramic Capacitor |
| LT3430 | High Voltage, 3A, 200kHz Step-Down Switching Regulator | Input Voltages Up to 60V, Internal 0.1Ω Power Switch, Current Mode Architecture, 16-Pin Exposed Pad TSSOP Package |
| LTC3722-1/ LTC3722-2 | Synchronous Dual Mode Phase Modulated Full-Bridge Controllers | Adaptive Zero Voltage Switching, High Output Power Levels (Up to Kilowatts) |
| LT3781/LTC1698 | 36V to 72V Input Isolated DC/DC Converter Chip Set | Synchronous Rectification; Overcurrent, Overvoltage, UVLO Protection; Power Good Output Signal; Voltage Margining; Compact Solution |