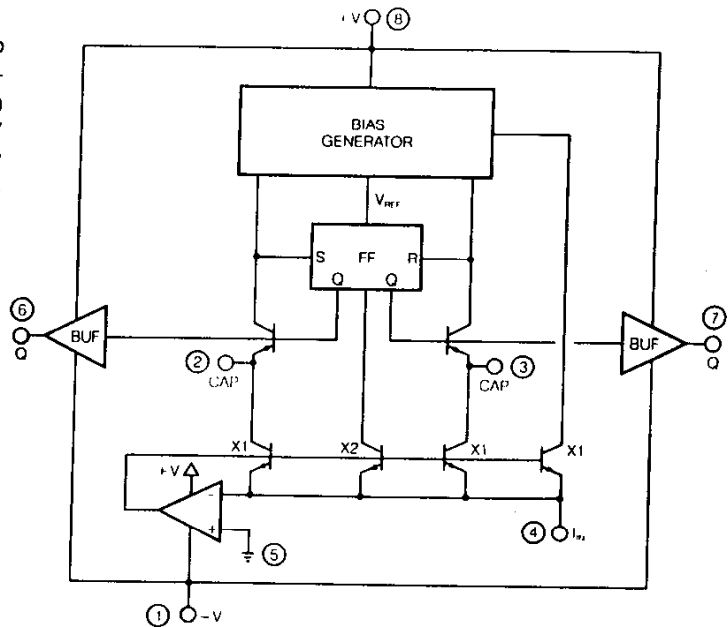


# General Purpose Devices

## SSM 2031 – HIGH FREQUENCY OSCILLATOR/VOLTAGE TO FREQUENCY CONVERTER

The SSM 2031 is a high frequency oscillator/voltage to frequency converter with wide sweep range, high linearity and temperature stability. The device has a minimum 10,000 to 1 sweep range when operated from  $\pm 15V$  supplies and has a 50ppm/degree C temperature stability figure. Complementary outputs are provided for two phase clocking applications. The 2031 is packaged in an 8-pin minidip and requires only one external resistor and capacitor for basic operation.

- 0.001Hz to 10MHz Operation
- 0.1% Linearity to 1MHz
- Low Cost
- Outputs TTL Compatible



## SSM 2100 – MONOLITHIC LOG/ANTILOG AMPLIFIER

The SSM 2100 is a complete monolithic subsystem for the realization of logarithmic and exponential transfer characteristics. Included are two precision op amps, a high conformance transistor pair and a precision bandgap voltage reference. Additionally, the chip has a substrate temperature regulator which stabilizes the scale factor and greatly attenuates drift of the reference. A negative reference voltage is also available to facilitate external trimming.

- 500pA Input Bias Current (untrimmed)
- 50pA Input Bias Current (trimmed)
- 4mV Input Offset Voltage
- 10ppm/degree C Reference Drift
- 30ppm/degree C Scale Factor Drift
- 0.25% Conformance
- 3 Decade Dynamic Range (Voltage Input)
- 5 Decade Dynamic Range (Current Input)
- Low Cost
- Few External Components Required

