



Reset Circuit with Fixed Delay

Description

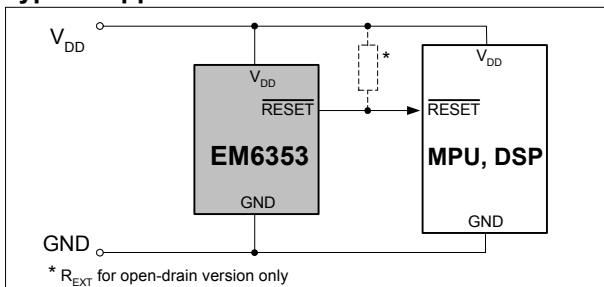
The EM6353 is an ultra-low current reset circuit available in a large variety of configurations and very small packages for maximum flexibility in all end-applications up to 125°C and using power supplies between 1.5V and 5.5V.

This circuit monitors the supply voltage of any electronic system, and generates the appropriate reset signal after a fixed reset timeout period. The threshold defines the minimum allowed voltage which guarantees the good functionality of the system. When V_{DD} rises above V_{TH} , the output remains active for an additional delay time. This allows the system to stabilize before getting fully active.

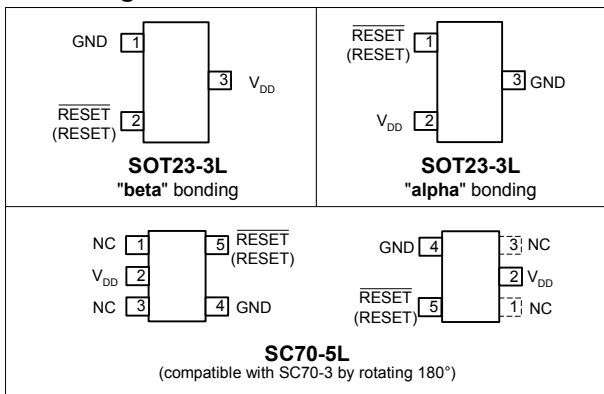
The EM6353 features three output types: active-low push-pull, active-low open-drain and active-high push-pull.

Small SC70-5L and SOT23-3L packages as well as ultra-low supply current of 2.9µA make the EM6353 an ideal choice for portable and battery-operated devices.

Typical Application



Pin Configuration (top view)



Pin Description

Pin			Name	Function
SOT23-3L "beta"	SOT23-3L "alpha"	SC70-5L		
1	3	4	GND	Ground
2	1	5	$\overline{\text{RESET}}$	Active-low $\overline{\text{RESET}}$ output. $\overline{\text{RESET}}$ remains low for the reset timeout period after all reset conditions are deasserted and then goes high.
			RESET	Active-high RESET output. RESET remains high for the reset timeout period after all reset conditions are deasserted and then goes low.
3	2	2	V_{DD}	Supply Voltage (5.5V max.)
-	-	1,3	N.C.	Not connected. Not internally connected.

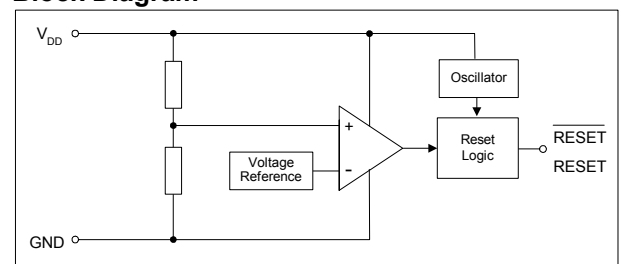
Features

- 200ms reset timeout period (25ms on request)
- Ultra-low supply current of 2.9µA ($V_{DD}=3.3V$)
- Operating temperature range: -40°C to +125°C
- ±1.5% reset threshold accuracy
- 11 reset threshold voltages V_{TH} : 4.63V, 4.4V, 3.08V, 2.93V, 2.63V, 2.2V, 1.8V, 1.66V, 1.57V, 1.38V, 1.31V
- 3 reset output options:
 - Active-low $\overline{\text{RESET}}$ push-pull
 - Active-low $\overline{\text{RESET}}$ open-drain
 - Active-high RESET push-pull
- No external components
- Immune to short negative V_{DD} transients
- Guaranteed Reset valid down to 0.8V
- Threshold hysteresis: 2.1% of V_{TH}
- Very small SOT23-3L and SC70-5L packages

Applications

- Mobile phones
- Set-top boxes
- Video, digital cameras, DVD players and recorders
- Modems
- Personal computers
- Switching hubs
- Copiers and fax
- Utility meters
- Automotive systems

Block Diagram





Ordering Information

EM6353 B X 2SP3B - 2.9

Reset Threshold Voltage:

1.3 = 1.31V	2.6 = 2.63V
1.4 = 1.38V	2.9 = 2.93V
1.6 = 1.57V	3.1 = 3.08V
1.7 = 1.66V	4.4 = 4.40V
1.8 = 1.80V	4.6 = 4.63V
2.2 = 2.20V	

Package & Bonding:

1SP3B = SOT23-3, "alpha", Tape&Reel 3kpcs
 2SP3B = SOT23-3, "beta", Tape&Reel 3kpcs
 SC5B = SC70-5, Tape&Reel 3kpcs

Reset Output Type:

X = Active-low /RES push-pull
 Y = Active-low /RES open-drain
 Z = Active-high RES push-pull

Delay (t_{POR}):

B = 200ms
 A = 25ms

Versions

Please contact EM Microelectronic for availability. Please make sure to give the complete Part Number when ordering. All parts are offered in tape-and-reel only (3000 units).

Threshold Voltage	Delay (t _{POR})	Output Type	Package	Part Number	Top Marking
1.31V	200ms	Active-low push-pull $\overline{\text{RESET}}$	SOT23-3L "alpha"	EM6353BX1SP3B-1.3	ALBA
			SOT23-3L "beta"	EM6353BX2SP3B-1.3	ALWA
			SC70-5L	EM6353BXSC5B-1.3	ALWA
1.80V	200ms	Active-low push-pull $\overline{\text{RESET}}$	SOT23-3L "alpha"	EM6353BX1SP3B-1.8	ALBE
			SOT23-3L "beta"	EM6353BX2SP3B-1.8	ALWE
			SC70-5L	EM6353BXSC5B-1.8	ALWE
2.63V	200ms	Active-low push-pull $\overline{\text{RESET}}$	SOT23-3L "alpha"	EM6353BX1SP3B-2.6	ALBG
			SOT23-3L "beta"	EM6353BX2SP3B-2.6	ALWG
			SC70-5L	EM6353BXSC5B-2.6	ALWG
		Active-low open-drain $\overline{\text{RESET}}$	SOT23-3L "alpha"	EM6353BY1SP3B-2.6	ALBT
			SOT23-3L "beta"	EM6353BY2SP3B-2.6	ALWT
2.93V	200ms	Active-low push-pull $\overline{\text{RESET}}$	SOT23-3L "alpha"	EM6353BX1SP3B-2.9	ALBH
			SOT23-3L "beta"	EM6353BX2SP3B-2.9	ALWH
			SC70-5L	EM6353BXSC5B-2.9	ALWH
		Active-low open-drain $\overline{\text{RESET}}$	SOT23-3L "alpha"	EM6353BY1SP3B-2.9	ALBU
			SOT23-3L "beta"	EM6353BY2SP3B-2.9	ALWU
			SC70-5L	EM6353BYSC5B-2.9	ALWU
		Active-high push-pull RESET	SOT23-3L "beta"	EM6353BZ2SP3B-2.9	ALW6



EM6353

Threshold Voltage	Delay (t _{POR})	Output Type	Package	Part Number	Top Marking
3.08V	200ms	Active-low push-pull $\overline{\text{RESET}}$	SOT23-3L "beta"	EM6353BX2SP3B-3.1	ALWJ
			SC70-5L	EM6353BXSC5B-3.1	ALWJ
		Active-low open-drain $\overline{\text{RESET}}$	SOT23-3L "beta"	EM6353BY2SP3B-3.1	ALWV
		Active-high push-pull RESET	SOT23-3L "beta"	EM6353BZ2SP3B-3.1	ALW7
4.40V	200ms	Active-low push-pull $\overline{\text{RESET}}$	SOT23-3L "alpha"	EM6353BX1SP3B-4.4	ALBK
		Active-low open-drain $\overline{\text{RESET}}$	SOT23-3L "alpha"	EM6353BY1SP3B-4.4	ALBW
			SC70-5L	EM6353BYSC5B-4.4	ALWV
4.63V	200ms	Active-low push-pull $\overline{\text{RESET}}$	SOT23-3L "alpha"	EM6353BX1SP3B-4.6	ALBL
			SOT23-3L "beta"	EM6353BX2SP3B-4.6	ALWL
			SC70-5L	EM6353BXSC5B-4.6	ALWL
		Active-low open-drain $\overline{\text{RESET}}$	SOT23-3L "alpha"	EM6353BY1SP3B-4.6	ALBLX
			SOT23-3L "beta"	EM6353BY2SP3B-4.6	ALWX
		Active-high push-pull RESET	SOT23-3L "beta"	EM6353BZ2SP3B-4.6	ALW9



Absolute Maximum Ratings

Parameter	Symbol	Conditions
Voltage at V _{DD} to GND	V _{DD}	-0.3V to +6V
Minimum voltage at any signal pin	V _{MIN}	GND - 0.3V
Maximum voltage at any signal pin	V _{MAX}	V _{DD} + 0.3V
Electrostatic discharge maximum to MIL-STD-883C method 3015	V _{ESD}	2000V
Max. soldering conditions	T _{MAX}	250°C x 10s
Storage Temperature Range	T _{STG}	-65°C to +150°C

Stresses above these listed maximum ratings may cause permanent damage to the device. Exposure beyond specified operating conditions may affect device reliability or cause malfunction.

Handling Procedures

This device has built-in protection against high static voltages or electric fields; however, anti-static precautions must be taken as for any other CMOS component. Unless otherwise specified, proper operation can only occur when all terminal voltages are kept within the voltage range. Unused inputs must always be tied to a defined logic voltage level.

Operating Conditions

Parameter	Symbol	Min	Max	Unit
Supply voltage (note 1)	V _{DD}	0.8	5.5	V
Operating Temperature	T _A	-40	+125	°C

Electrical Characteristics

Unless otherwise specified: V_{DD}= 0.8V to 5.5V, T_A=-40°C to +125°C (note 1).

Parameter	Symbol	Conditions	Min	Typ	Max	Unit			
Supply current (note 2)	I _{DD}	V _{DD} =1.5V	+25°C	-	2.3	4.6	μA		
			-40°C to +125°C	-	-	7			
		V _{DD} =3.3V	+25°C	-	2.9	5.5			
			-40°C to +125°C	-	-	8.3			
		V _{DD} =5.0V	+25°C	-	3.4	6.3			
			-40°C to +125°C	-	-	9.6			
Threshold voltage (note 3)	V _{TH}	EM6353 – 1.3	+25°C	1.290	1.31	1.330	V		
			-40°C to +85°C	1.245	-	1.382			
		EM6353 – 1.4	+25°C	1.359	1.38	1.401			
			-40°C to +85°C	1.311	-	1.456			
		EM6353 – 1.6	+25°C	1.546	1.57	1.594			
			-40°C to +85°C	1.492	-	1.656			
		EM6353 – 1.7	+25°C	1.635	1.66	1.685			
			-40°C to +85°C	1.577	-	1.751			
		EM6353 – 1.8	+25°C	1.773	1.80	1.827			
			-40°C to +85°C	1.710	-	1.899			
		EM6353 – 2.2	+25°C	2.167	2.20	2.233			
			-40°C to +85°C	2.090	-	2.321			
		EM6353 – 2.6	+25°C	2.591	2.63	2.669			
			-40°C to +85°C	2.499	-	2.775			
		EM6353 – 2.9	+25°C	2.886	2.93	2.974			
			-40°C to +85°C	2.784	-	3.091			
		EM6353 – 3.1	+25°C	3.034	3.08	3.126			
			-40°C to +85°C	2.926	-	3.249			
		EM6353 – 4.4	+25°C	4.334	4.40	4.466			
			-40°C to +85°C	4.180	-	4.642			
		EM6353 – 4.6	+25°C	4.561	4.63	4.699			
			-40°C to +85°C	4.399	-	4.885			
		Threshold hysteresis	V _{HYS}	+25°C	-	2.1%•V _{TH}		-	V
				-40°C to +125°C	4.315	-		4.903	

Note 1: Production tested at +25°C only. Over temperature limits are guaranteed by design, not production tested.
V_{DD} min=0.9V for active-high versions (EM6353_Z).

Note 3: Threshold voltage is specified for V_{DD} falling.



Electrical Characteristics (continued)

Unless otherwise specified: $V_{DD} = 0.8V$ to $5.5V$, $T_A = -40^{\circ}C$ to $+125^{\circ}C$ (note 1).

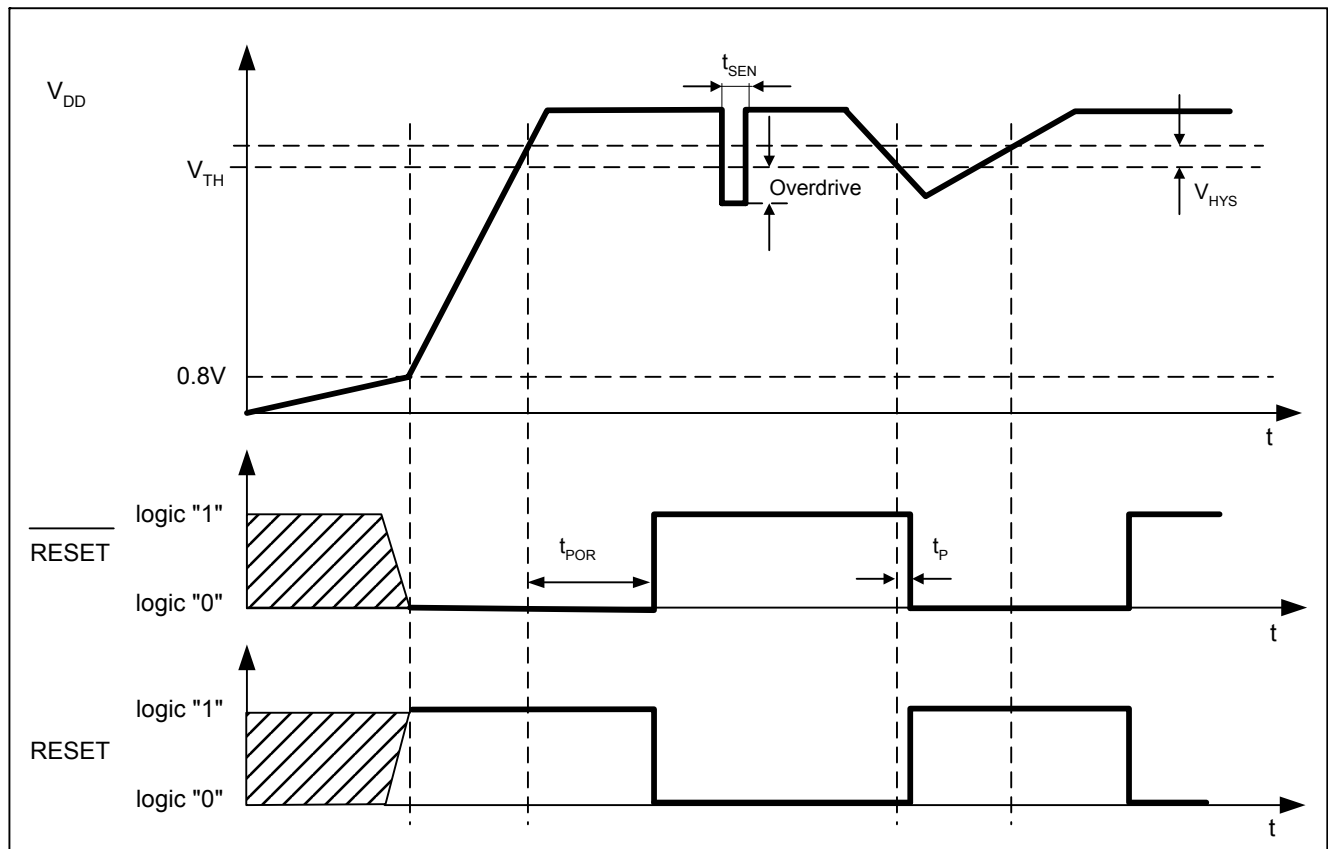
Parameter	Symbol	Conditions	Min	Typ	Max	Unit	
Reset timeout period	t_{POR}	V_{DD} from 0V to $V_{TH(typ)} + 15\%$ (note 2 and 4). $T_A = +25^{\circ}C$	EM6353B	155	200	224	ms
			EM6353A	19.4	25	28	
Propagation delay time V_{DD} to \overline{RESET} (RESET) delay	t_P	V_{DD} drops from $V_{TH(typ)} + 0.2V$ to $V_{TH(typ)} - 0.2V$ (note 2). $T_A = +25^{\circ}C$	2	130	255	μs	
Open-drain \overline{RESET} output Voltage	V_{OL}	$V_{DD} > 1V$	$I_{OL} = 100\mu A$	-	-	0.3	V
		$V_{DD} > 2.5V$	$I_{OL} = 1.5mA$	-	-	0.3	
		$V_{DD} > 5V$	$I_{OL} = 3mA$	-	-	0.3	
Push-pull \overline{RESET} / \overline{RESET} Output voltage	V_{OL}	$V_{DD} > 1V$	$I_{OL} = 100\mu A$	-	-	0.3	V
		$V_{DD} > 2.5V$	$I_{OL} = 1.5mA$	-	-	0.3	
		$V_{DD} > 5V$	$I_{OL} = 3mA$	-	-	0.35	
	V_{OH}	$V_{DD} > 1V$	$I_{OH} = -30\mu A$	0.8	-	-	
		$V_{DD} > 2.5V$	$I_{OH} = -1.5mA$	2	-	-	
		$V_{DD} > 5V$	$I_{OH} = -3mA$	4	-	-	
Output leakage current	I_{LEAK}	Only for EM6353_Y (open-drain)	-	-	0.5	μA	

Note 1: Production tested at $+25^{\circ}C$ only. Over temperature limits are guaranteed by design, not production tested. V_{DD} min=0.9V for active-high versions (EM6353_Z).

Note 2: \overline{RESET} (RESET) open.

Note 4: Standard version is EM6353B ($t_{POR} = 200ms$), available at all times. EM6353A ($t_{POR} = 25ms$) is available by mask option and upon minimum order quantity. Please contact EM sales.

Timing Waveforms



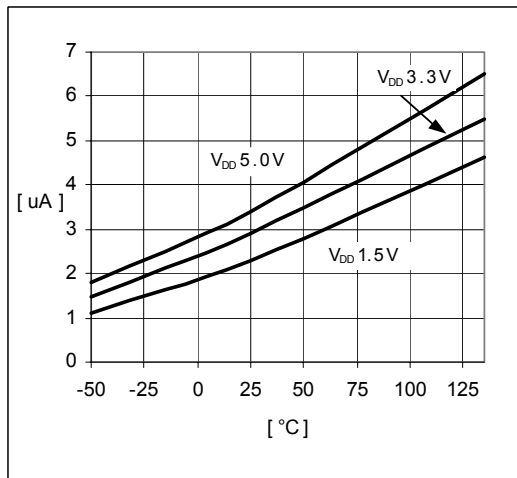
Note 6: t_{SEN} = Maximum Transient Duration. Please refer to figure on next page.

Note 7: Overdrive = $V_{TH} - V_{DD}$. Please refer to figure on next page.

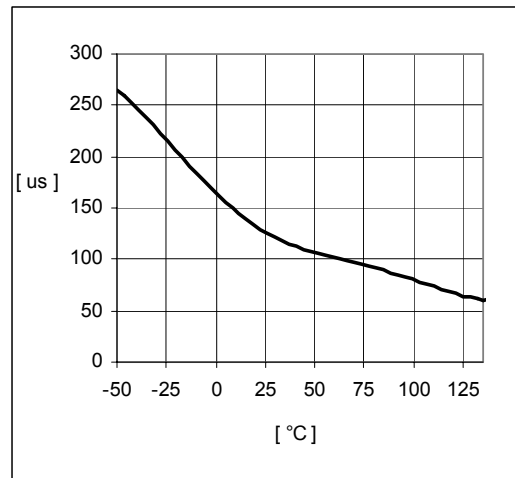


Typical Operating Characteristics

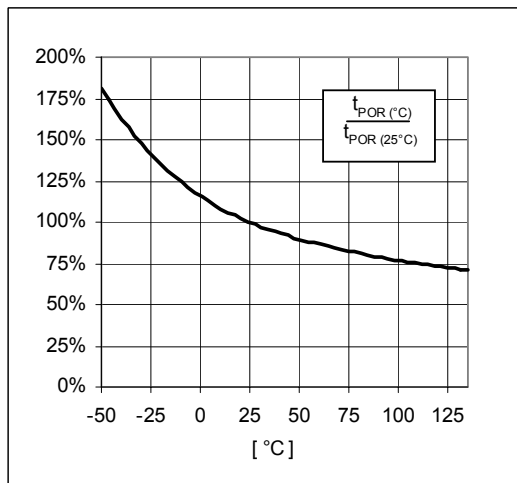
(Typical values are at $T_A=+25^\circ\text{C}$ unless otherwise noted, $\overline{\text{RESET}}$ or RESET open.)



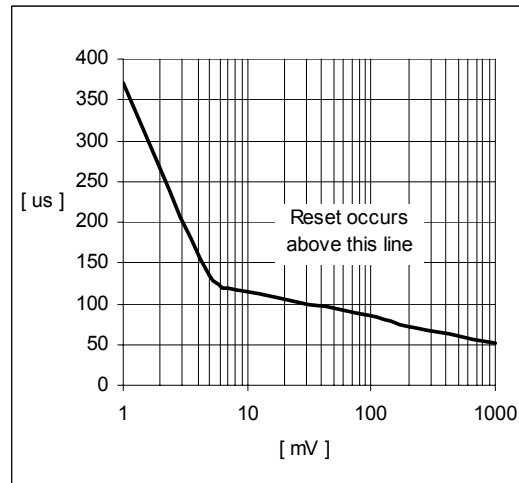
I_{DD} vs. Temperature



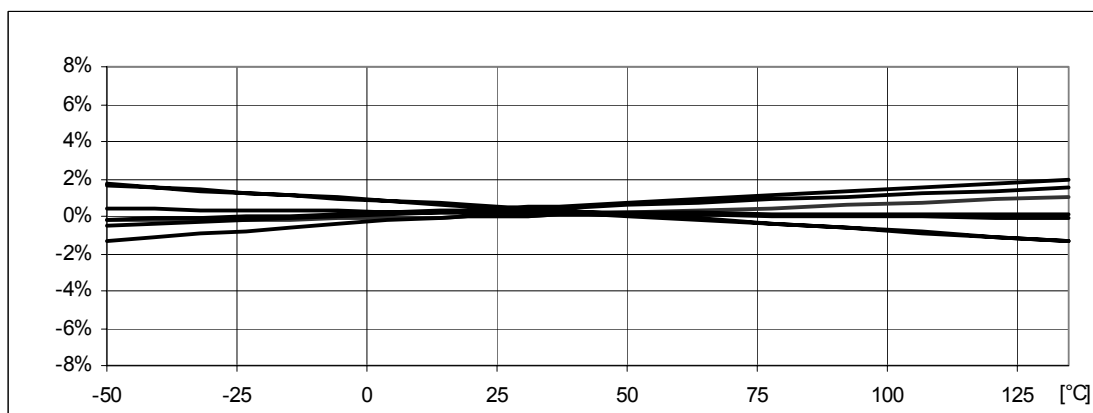
Propagation Time t_p vs. Temperature



Reset Timeout Period t_{POR} vs. Temperature (normalized with respect to $t_{POR} 25^\circ\text{C}$)

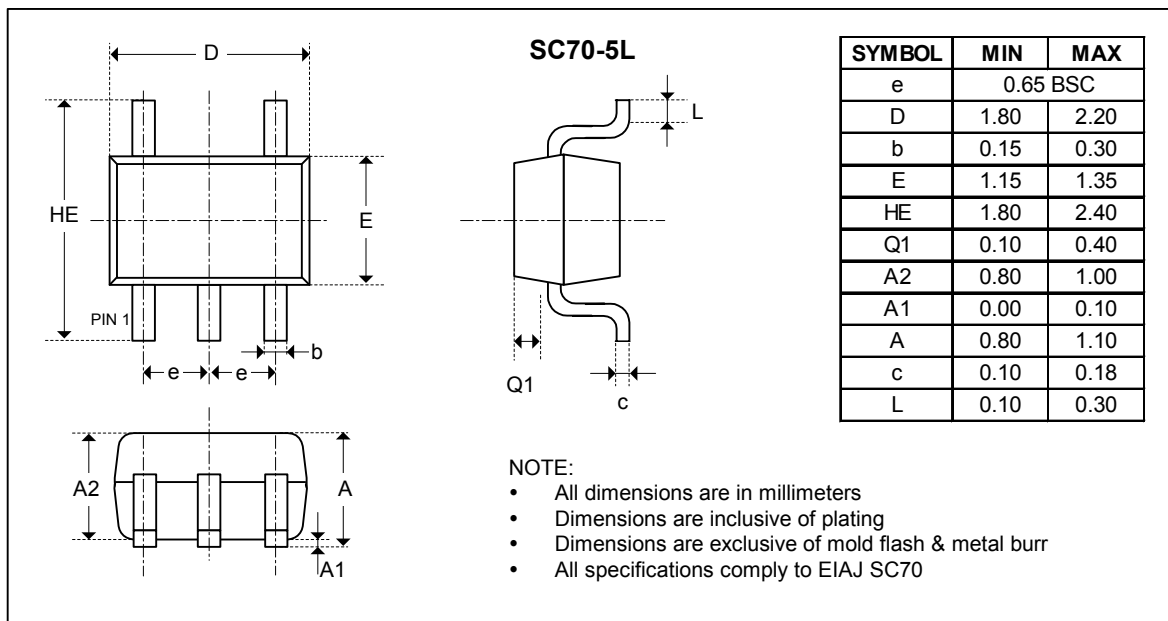
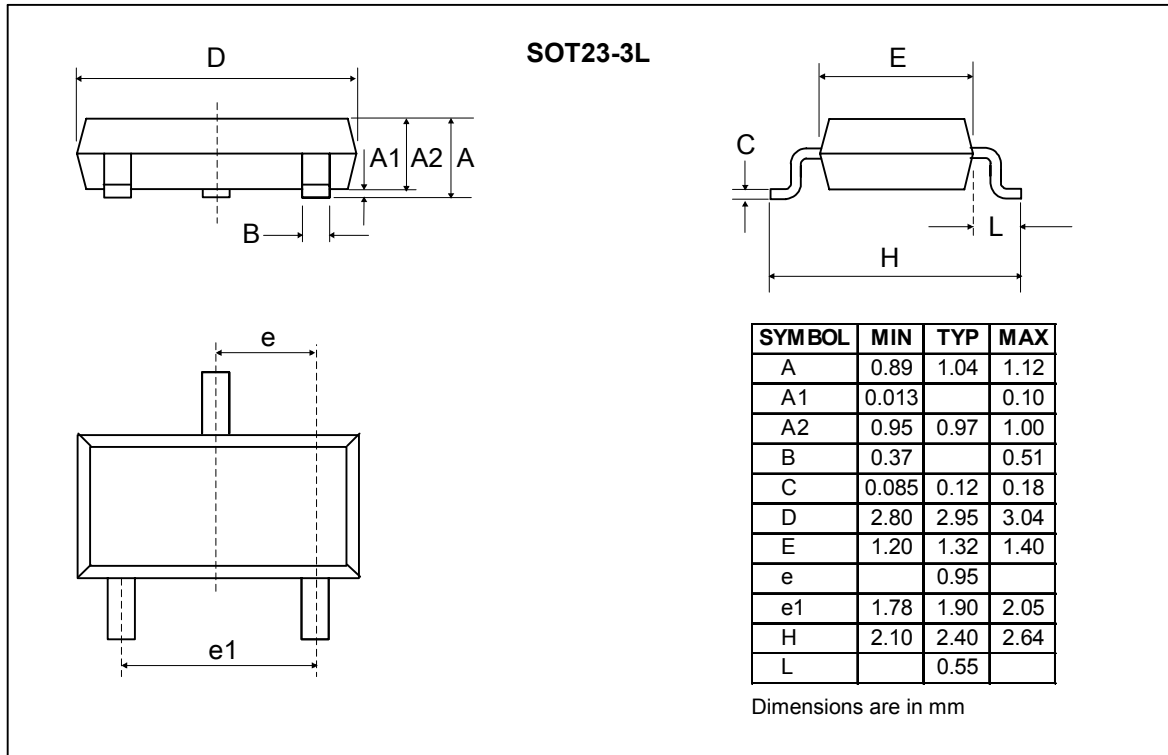


Maximum Transient Duration t_{SEN} vs. Overdrive $V_{TH} - V_{DD}$



Threshold Voltage Variation vs. Temperature (normalized)

Package Information



Traceability for small packages

Due to the limited space on the package surface, the bottom marking contains a limited number of characters that provide only partial information for lot traceability. Full information for complete traceability is however provided on the packing labels of the product at delivery from EM. It is highly recommended that the customer insures full lot traceability of EM product in his final product.

EM Microelectronic-Marin SA cannot assume responsibility for use of any circuitry described other than circuitry entirely embodied in an EM Microelectronic-Marin SA product. EM Microelectronic-Marin SA reserves the right to change the circuitry and specifications without notice at any time. You are strongly urged to ensure that the information given has not been superseded by a more up-to-date version.

Product qualification is performed according to internal EM quality standards for industrial products. For any special requirement (eg. automotive grade) please contact EM Microelectronic-Marin S.A.

© EM Microelectronic-Marin SA, 05/04, Rev. G