

DATA SHEET



TDA6500TT; TDA6501TT 5 V mixer/oscillator and synthesizer for PAL and NTSC standards

Product specification

2003 Jun 05

**5 V mixer/oscillator and synthesizer
for PAL and NTSC standards**

TDA6500TT; TDA6501TT

CONTENTS	10	CHARACTERISTICS
1 FEATURES	11	APPLICATION INFORMATION
2 APPLICATIONS	12	INTERNAL PIN CONFIGURATION
3 GENERAL DESCRIPTION	13	PACKAGE OUTLINE
4 ORDERING INFORMATION	14	SOLDERING
5 BLOCK DIAGRAM	15	DATA SHEET STATUS
6 PINNING	16	DEFINITIONS
7 FUNCTIONAL DESCRIPTION	17	DISCLAIMERS
8 LIMITING VALUES	18	PURCHASE OF PHILIPS I ² C COMPONENTS
9 THERMAL CHARACTERISTICS		

5 V mixer/oscillator and synthesizer for PAL and NTSC standards

TDA6500TT; TDA6501TT

1 FEATURES

- Single-chip 5 V mixer/oscillator and synthesizer for TV and VCR tuners
- I²C-bus protocol compatible with 3.3 V and 5 V microcontrollers:
 - Address + 6 data bytes transmission
 - Address + 1 status byte (I²C-bus read mode)
 - Four independent I²C-bus addresses.
- Two PMOS open-drain ports with 5 mA source capability to switch high band and FM sound trap (P2 and P3)
- One PMOS open-drain port with 20 mA source capability to switch the mid band (P1)
- One PMOS open-drain port with 10 mA source capability to switch the low band (P0)
- Five step, 3-bit Analog-to-Digital Converter (ADC) and NPN open-collector general purpose port with 5 mA sinking capability (P6)
- NPN open-collector general purpose port with 5 mA sinking capability (P4)
- Internal AGC flag
- In-lock flag
- 33 V tuning voltage output
- 15-bit programmable divider
- Programmable reference divider ratio: 64, 80 or 128
- Programmable charge pump current: 60 or 280 μ A
- Varicap drive disable
- Balanced mixer with a common emitter input for the low band (single input)
- Balanced mixer with a common base input for the mid and high bands (balanced input)
- 2-pin asymmetrical oscillator for the low band
- 2-pin asymmetrical oscillator for the mid band
- 4-pin symmetrical oscillator for the high band
- Frequency ranges: see Table 1
- IF preamplifier with asymmetrical 75 Ω output impedance to drive a SAW filter (500 Ω /40 pF)
- Wide-band AGC detector for internal tuner AGC:
 - Five programmable take-over points
 - Two programmable time constants.



2 APPLICATIONS

- TV and VCR tuners
- Specially suited for switched concepts, all systems
- Specially suited for strong off-air reception.

5 V mixer/oscillator and synthesizer for PAL and NTSC standards

TDA6500TT; TDA6501TT

3 GENERAL DESCRIPTION

TDA6500TT and TDA6501TT are programmable 2-mixer, 3-oscillator and synthesizer MOPLL intended for pure 3-band tuner concepts (see Fig.1).

The device includes two double balanced mixers for the low and mid/high bands and three oscillators for the low, mid and high bands respectively. The band limits for PAL tuners are shown in Table 1. Other functions are an IF amplifier, a wide-band AGC detector and a PLL synthesizer. Two pins are available between the mixer output and the IF amplifier input to enable IF filtering for improved signal handling.

Table 1 Low, mid and high band limits

BAND	RFpix INPUT (MHz)		OSCILLATOR (MHz)	
	MIN.	MAX.	MIN.	MAX.
Low	45.25	154.25	84.15	193.15
Mid	161.25	439.25	200.15	478.15
High	455.25	855.25	494.15	894.15

Bit P0 enables Port P0 and the low band mixer and oscillator. Bit P1 enables Port P1, the mid/high band mixer and the mid band oscillator. Bit P2 enables Port P2 and bit P3 enables Port P3. When P0 and P1 are disabled, the mid/high band mixer and the high band oscillator are enabled.

The AGC detector provides information about the IF amplifier level. Five AGC take-over points are available by software. Two programmable AGC time constants are available for search tuning and normal tuner operation.

4 ORDERING INFORMATION

TYPE NUMBER	PACKAGE		
	NAME	DESCRIPTION	VERSION
TDA6500TT	TSSOP32	plastic thin shrink small outline package; 32 leads; body width 6.1 mm; lead pitch 0.65 mm	SOT487-1
TDA6501TT			

The synthesizer consists of a 15-bit programmable divider, a crystal oscillator and its programmable reference divider and a phase/frequency detector combined with a charge pump, which drives the tuning amplifier including 33 V output.

Depending on the reference divider ratio (64, 80 or 128) the phase comparator operates at 62.50 kHz, 50.00 kHz or 31.25 kHz with a 4 MHz crystal.

The device can be controlled according to the I²C-bus format. The lock detector bit FL is set to logic 1 when the loop is locked. The AGC bit is set to logic 1 when the internal AGC is active (level below 3 V). These two flags are read on the SDA line (status byte) during a read operation (see Table 8).

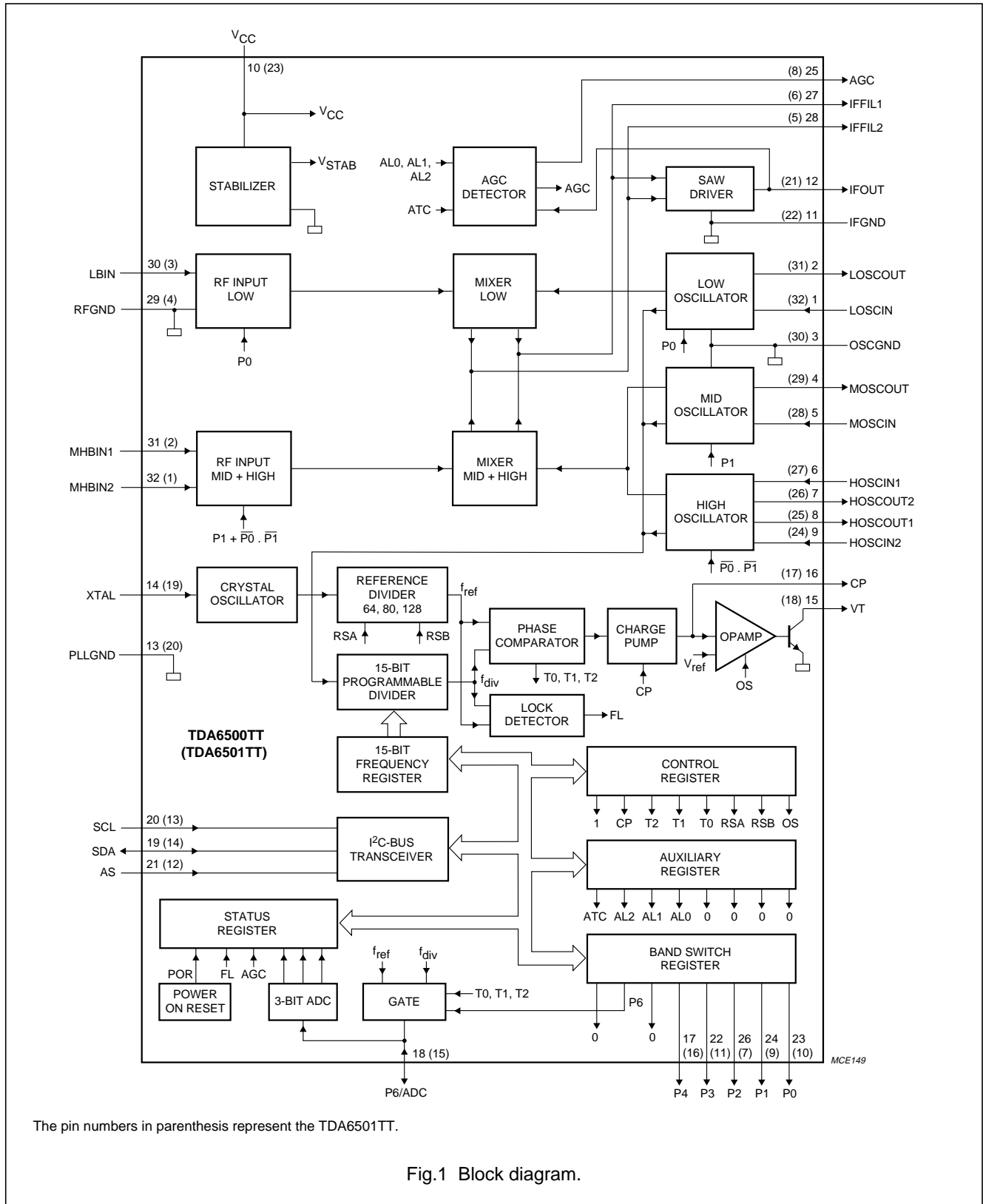
The ADC input is available on pin P6/ADC for digital AFC control. The ADC code is read during a read operation (see Table 8). In test mode, pin P6/ADC is used as a test output for $\frac{1}{2}f_{ref}$ and $\frac{1}{2}f_{div}$ (see Table 5).

A minimum of seven bytes, including address byte, is required to address the device, select the VCO frequency, program the ports, set the charge pump current, set the reference divider ratio, select the AGC take-over point and select the AGC time constant. The device has four independent I²C-bus addresses which can be selected by applying a specific voltage on input AS (see Table 4).

5 V mixer/oscillator and synthesizer for PAL and NTSC standards

TDA6500TT; TDA6501TT

5 BLOCK DIAGRAM



The pin numbers in parenthesis represent the TDA6501TT.

Fig.1 Block diagram.

5 V mixer/oscillator and synthesizer for PAL and NTSC standards

TDA6500TT; TDA6501TT

6 PINNING

SYMBOL	PIN		DESCRIPTION
	TDA6500TT	TDA6501TT	
LOSCIN	1	32	low band oscillator input
LOSCOUT	2	31	low band oscillator output
OSCGND	3	30	oscillator ground
MOSCOU	4	29	mid band oscillator output
MOSCIN	5	28	mid band oscillator input
HOSCIN1	6	27	high band oscillator input
HOSCOU2	7	26	high band oscillator output 2
HOSCOU1	8	25	high band oscillator output 1
HOSCIN2	9	24	high band oscillator input 2
V _{CC}	10	23	supply voltage
IFGND	11	22	IF ground
IFOUT	12	21	IF output
PLLGND	13	20	digital ground
XTAL	14	19	crystal oscillator input
VT	15	18	tuning voltage output
CP	16	17	charge pump output
P4	17	16	NPN open-collector general purpose port
P6/ADC	18	15	NPN open-collector general purpose port or ADC input
SDA	19	14	serial data input and output
SCL	20	13	serial clock input
AS	21	12	address selection input
P3	22	11	PMOS open-drain general purpose port
P0	23	10	PMOS open-drain port to select low band operation
P1	24	9	PMOS open-drain port to select mid band operation
AGC	25	8	AGC output
P2	26	7	PMOS open-drain general purpose port
IFFIL1	27	6	IF filter output 1
IFFIL2	28	5	IF filter output 2
RFGND	29	4	RF ground
LBIN	30	3	low band RF input
MHBIN1	31	2	mid and high band RF input 1
MHBIN2	32	1	mid and high band RF input 2

5 V mixer/oscillator and synthesizer for PAL and NTSC standards

TDA6500TT; TDA6501TT

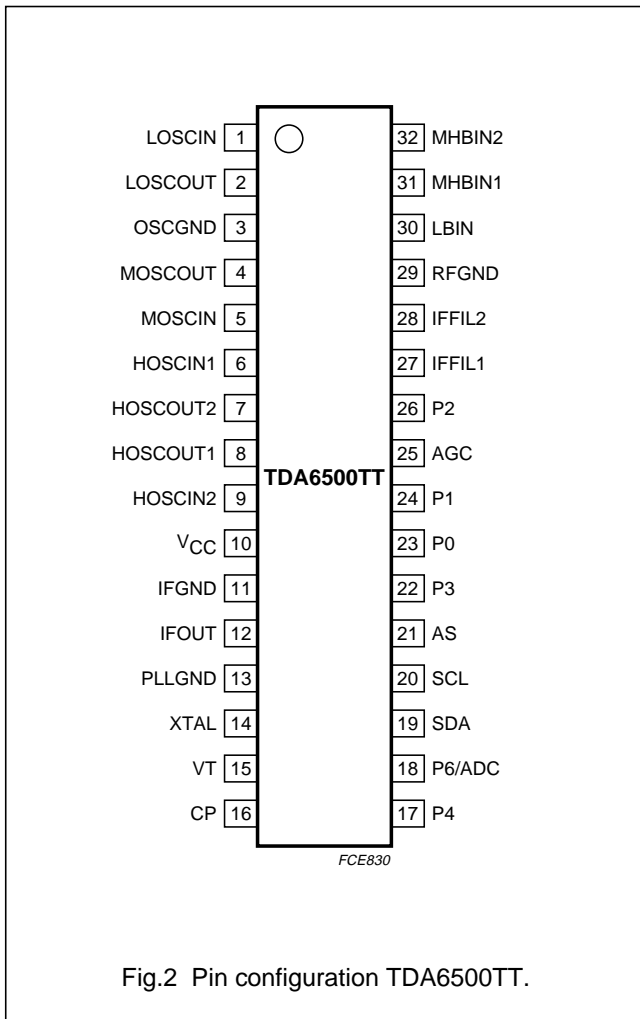


Fig.2 Pin configuration TDA6500TT.

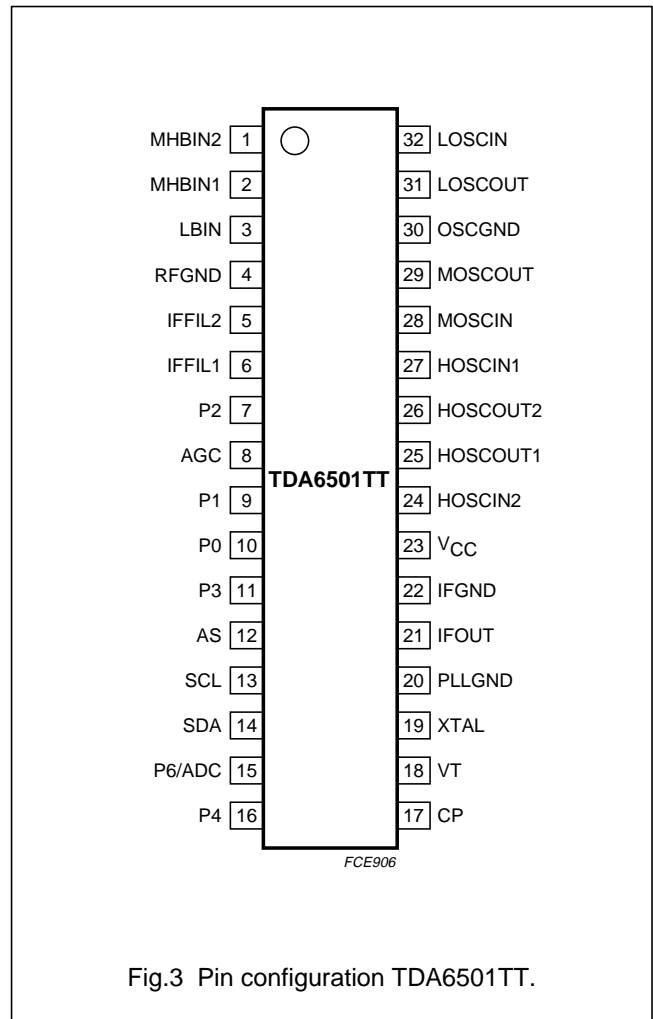


Fig.3 Pin configuration TDA6501TT.

7 FUNCTIONAL DESCRIPTION

The device is controlled via the I²C-bus. For programming, a module address of 7 bits and the R/W bit for selecting the read or the write mode is required.

7.1 Write mode

Data bytes can be sent to the device after the address transmission (first byte). Seven data bytes are needed to fully program the device. The bus transceiver has an auto-increment facility, which permits the programming of the device within one single transmission (address + 6 data bytes).

The device can also be partially programmed providing that the first data byte following the address is the first divider byte DB1 or the control byte CB. The data bytes are defined in Tables 2 and 3.

The first bit of the first data byte indicates whether frequency data (first bit = 0) or control, port and auxiliary data (first bit = 1) will follow. Until an I²C-bus STOP command is sent by the controller, additional data bytes can be entered without the need to re-address the device. The frequency register is loaded after the 8th clock pulse of the second divider byte DB2, the control register is loaded after the 8th clock pulse of the control byte CB, the band switch register is loaded after the 8th clock pulse of the band switch byte BB and the auxiliary register is loaded after the 8th clock pulse of the auxiliary byte AB.

To program the AGC take-over point setting and the AGC current to a different value than the default value, an additional byte, the auxiliary byte, has to be sent. To this end, the auxiliary byte is preceded by a control byte with the test bits T2, T1 and T0 set to 011 (see Table 5).

5 V mixer/oscillator and synthesizer for PAL and NTSC standards

TDA6500TT; TDA6501TT

Table 2 I²C-bus data format for write mode

NAME	BYTE	BIT								ACK
		MSB				LSB				
Address byte	ADB	1	1	0	0	0	MA1	MA0	R/W = 0	A
Divider byte 1	DB1	0	N14	N13	N12	N11	N10	N9	N8	A
Divider byte 2	DB2	N7	N6	N5	N4	N3	N2	N1	N0	A
Control byte	CB	1	CP	T2	T1	T0	RSA	RSB	OS	A
Band switch byte	BB	0	P6	0	P4	P3	P2	P1	P0	A
Auxiliary byte; note 1	AB	ATC	AL2	AL1	AL0	0	0	0	0	A

Note

1. Auxiliary byte AB replaces band switch byte BB when bits T2, T1 and T0 = 011.

Table 3 Description of bits shown in Table 2

SYMBOL	DESCRIPTION
A	acknowledge
MA1 and MA0	programmable address bits; see Table 4
R/W	logic 0 for write mode
N14 to N0	programmable divider bits; $N = (N14 \times 2^{14}) + (N13 \times 2^{13}) + \dots + (N1 \times 2^1) + N0$
CP	charge pump current CP = 0, the charge pump current is 60 μ A CP = 1, the charge pump current is 280 μ A (default)
T2, T1 and T0	test bits; see Table 5
RSA and RSB	reference divider ratio select bits; see Table 6
OS	tuning amplifier control bit OS = 0, normal operation; tuning voltage is on OS = 1, tuning voltage is off; high-impedance state (default)
P6 and P4	NPN port control bits Pn = 0, port n is off; high-impedance state (default) Pn = 1, buffer n is on; $V_O = V_{CE(sat)}$
P3 to P0	PMOS port control bits 0 = port n is off; high-impedance state (default) 1 = buffer n is on; $V_O = V_{CC} - V_{DS(sat)}$
ATC	AGC time constant ATC = 0, $I_{AGC} = 220$ nA; $\Delta t = 2$ s with C = 160 nF (default) ATC = 1, $I_{AGC} = 9$ μ A; $\Delta t = 50$ ms with C = 160 nF
AL2, AL1 and AL0	AGC take-over point bits; see Table 7

5 V mixer/oscillator and synthesizer for PAL and NTSC standards

TDA6500TT; TDA6501TT

The module address contains programmable address bits (MA1 and MA0) which offer the possibility of having up to 4 synthesizers in one system by applying a specific voltage on the AS input. Table 4 gives the relationship between the input voltage applied to the AS input and bits MA1 and MA0.

Table 4 I²C-bus address selection

VOLTAGE APPLIED TO PIN AS	MA1	MA0
0 V to 0.1V _{CC}	0	0
open or 0.2V _{CC} to 0.3V _{CC}	0	1
0.4V _{CC} to 0.6V _{CC}	1	0
0.9V _{CC} to V _{CC}	1	1

Table 5 Test modes

T2	T1	T0	TEST MODES
0	0	0	normal mode
0	0	1	normal mode; note 1
0	1	0	charge pump is off
0	1	1	control byte is followed by auxiliary byte AB in stead of the band switch byte BB
1	1	0	charge pump is sinking current
1	1	1	charge pump is sourcing current
1	0	0	$\frac{1}{2}f_{ref}$ is available on pin P6/ADC; note 2
1	0	1	$\frac{1}{2}f_{div}$ is available on pin P6/ADC; note 2

Notes

1. This is the default mode at Power-on reset.
2. The ADC input cannot be used when these test modes are active; see Section 7.2 for more information

Table 6 Reference divider ratio select

RSA	RSB	REFERENCE DIVIDER RATIO
0	0	80
0	1	128
1	1	64
1	0	forbidden

5 V mixer/oscillator and synthesizer for PAL and NTSC standards

TDA6500TT; TDA6501TT

Table 7 AGC take-over point

AL2	AL1	AL0	ASYMMETRICAL MODE
0	0	0	115 dB μ V
0	0	1	115 dB μ V
0	1	0	112 dB μ V; default mode at Power-on reset
0	1	1	109 dB μ V
1	0	0	106 dB μ V
1	0	1	103 dB μ V
1	1	0	I _{AGC} = 0; external AGC; note 1
1	1	1	3.5 V; disabled; note 2

Notes

1. The AGC detector is disabled. Both the sinking and sourcing currents from the IC are disabled. The AGC output goes into a high-impedance state and an external AGC source can be connected in parallel.
2. The AGC detector is disabled and the fast mode current source is enabled.

7.2 Read mode

Data can be read from the device by setting the R \bar{W} bit to logic 1. The data read format is shown in Table 8. After the slave address has been recognized, the device generates an acknowledge pulse and the first data byte (status byte) is transferred on the SDA line with the MSB first. Data is valid on the SDA line during a HIGH-level of the SCL clock signal.

A second data byte can be read from the device if the microcontroller generates an acknowledge on the SDA line (master acknowledge). End of transmission will occur if no master acknowledge occurs. The device will then release the data line to allow the microcontroller to generate a STOP condition.

The POR flag is set to logic 1 at Power-on. The flag is reset when an end-of-data is detected by the device (end of a read sequence).

Control of the loop is made possible with the in-lock flag (FL) which indicates when the loop is locked (FL = 1).

The internal AGC status is available from the AGC bit. AGC = 1 indicates when the selected take-over point is reached.

A built-in ADC is available on the P6/ADC pin. The ADC can be used to apply AFC information to the microcontroller from the IF section of the tuner. The relationship between the voltage applied to the ADC input and the A2, A1 and A0 bits is given in Table 10.

Table 8 Read data format

NAME	BYTE	BIT								ACK
		MSB ⁽¹⁾				LSB				
Address byte	ADB	1	1	0	0	0	MA1	MA0	R \bar{W} = 1	A
Status byte	SB	POR	FL	1	1	AGC	A2	A1	A0	–

Note

1. MSB is transmitted first.

5 V mixer/oscillator and synthesizer for PAL and NTSC standards

TDA6500TT; TDA6501TT

Table 9 Description of bits shown in Table 8

SYMBOL	DESCRIPTION
A	acknowledge
MA1 and MA0	programmable address bits; see Table 4
R/ \bar{W}	logic 1 for read mode
POR	Power-on reset flag POR = 0, normal operation POR = 1, power-on state
FL	in-lock flag FL = 0, not locked FL = 1, the PLL is locked
AGC	internal AGC flag AGC = 0, internal AGC not active AGC = 1, internal AGC is active; level below 3 V
A2, A1 and A0	digital output of the 5-level ADC; see Table 10

Table 10 ADC levels

VOLTAGE APPLIED TO ADC INPUT ⁽¹⁾	A2	A1	A0
0.60V _{CC} to V _{CC}	1	0	0
0.45V _{CC} to 0.60V _{CC}	0	1	1
0.30V _{CC} to 0.45V _{CC}	0	1	0
0.15V _{CC} to 0.30V _{CC}	0	0	1
0 to 0.15V _{CC}	0	0	0

Note

- Accuracy is $\pm 0.03V_{CC}$.

7.3 Power-on reset

The Power-on detection threshold voltage (V_{POR}) is set to $V_{CC} = 3.5$ V at room temperature. Below this threshold, the device is reset to the Power-on state.

In the Power-on state, the charge pump current is set to 280 μ A, the tuning voltage output is disabled, the test bits T2, T1 and T0 are set to 001, the AGC take-over point is set to 112 dB μ V and the AGC current is set to the slow mode. The high band is selected by default.

Table 11 Default bits at Power-on reset

NAME	BYTE	BIT							
		MSB				LSB			
Address byte	ADB	1	1	0	0	0	MA1	MA0	X
Divider byte 1	DB1	0	X	X	X	X	X	X	X
Divider byte 2	DB2	X	X	X	X	X	X	X	X
Control byte	CB	1	1	0	0	1	X	X	1
Band switch byte	BB	–	0	–	0	0	0	0	0
Auxiliary byte	AB	0	0	1	0	–	–	–	–

5 V mixer/oscillator and synthesizer for PAL and NTSC standards

TDA6500TT; TDA6501TT

8 LIMITING VALUES

In accordance with the Absolute Maximum Rating System (IEC 60134); note 1.

SYMBOL	PARAMETER	MIN.	MAX.	UNIT
V _{CC}	supply voltage	-0.3	+6	V
V _{XTAL}	crystal input voltage	-0.3	V _{CC} + 0.3	V
V _{P6/ADC}	NPN port input and output voltage	-0.3	V _{CC} + 0.3	V
I _{P6/ADC}	NPN port output current (open-collector)	0	+10	mA
V _{VT}	tuning voltage output	-0.3	+35	V
V _{CP}	charge pump output voltage	-0.3	V _{CC} + 0.3	V
V _{P4}	NPN port output voltage (open-collector)	-0.3	V _{CC} + 0.3	V
I _{P4}	NPN port output current (open-collector)	0	+10	mA
V _{SDA}	serial data input/output voltage	-0.3	+6	V
I _{SDA}	serial data output current	-1	+10	mA
V _{SCL}	serial clock input voltage	-0.3	+6	V
V _{AS}	address selection input voltage	-0.3	V _{CC} + 0.3	V
V _{Pn}	PMOS port output voltage (open-drain)	-0.3	V _{CC} + 0.3	V
I _{P1}	PMOS port output current (open-drain)	-25	0	mA
I _{P0}	PMOS port output current (open-drain)	-15	0	mA
I _{P2, P3}	PMOS port output current (open-drain)	-10	0	mA
T _{stg}	storage temperature	-40	+150	°C
T _{amb}	ambient temperature	-20	+85	°C
T _j	junction temperature	-	150	°C

Note

- Maximum ratings cannot be exceeded, not even momentarily without causing irreversible IC damage. Maximum ratings cannot be accumulated.

9 THERMAL CHARACTERISTICS

SYMBOL	PARAMETER	CONDITIONS	VALUE	UNIT
SOT487EC3 package (TDA6500TT)				
R _{th(j-a)}	thermal resistance from junction to ambient	in free air; one layer PCB, JEDEC standards; note 1	110	K/W
SOT487EC5 package (TDA6501TT)				
R _{th(j-a)}	thermal resistance from junction to ambient	in free air; one layer PCB, JEDEC standards; note 1	115	K/W

Note

- The thermal resistance is highly dependant on the PCB on which the package is mounted. The thermal resistance values are given only for customer's guidance.

5 V mixer/oscillator and synthesizer for PAL and NTSC standards

TDA6500TT; TDA6501TT

10 CHARACTERISTICS

$V_{CC} = 5\text{ V}$; $T_{amb} = 25\text{ °C}$; values are given for an IF amplifier with $500\ \Omega$ load (measured as shown in Fig.16 for the PAL standard); unless otherwise specified.

SYMBOL	PARAMETER	CONDITIONS	MIN.	TYP.	MAX.	UNIT
Supply						
V_{CC}	supply voltage		4.5	5.0	5.5	V
I_{CC}	supply current	$V_{CC} = 5\text{ V}$ PNP ports off	–	74	94	mA
		one PNP port on; sourcing 20 mA	–	96	116	mA
		two PNP ports on; one port sourcing 20 mA; one other port sourcing 5 mA	–	102	122	mA
PLL part						
FUNCTIONAL RANGE						
V_{POR}	Power-on reset supply voltage	for a voltage lower than V_{POR} , Power-on reset is active	1.5	3.5	–	V
N	divider ratio	15-bit frequency word	64	–	32767	
f_{XTAL}	crystal oscillator	$R_{XTAL} = 25\text{ to }300\ \Omega$	3.2	4.0	4.48	MHz
$ Z_{XTAL} $	input impedance (absolute value)	$f_{XTAL} = 4\text{ MHz}$	600	1200	–	Ω
PMOS PORTS: P0, P1, P2 AND P3						
I_{LO}	output leakage current	$V_{CC} = 5.5\text{ V}$; $V_{Pn} = 0\text{ V}$	–	–	10	μA
$V_{DS(P0)(sat)}$	output saturation voltage	buffer P0 only is on; sourcing 10 mA	–	0.25	0.4	V
$V_{DS(P1)(sat)}$	output saturation voltage	buffer P1 only is on; sourcing 20 mA	–	0.25	0.4	V
$V_{DS(P2)(sat)}$, $V_{DS(P3)(sat)}$	output saturation voltage	buffer P2 or P3 is on; sourcing 5 mA	–	0.25	0.4	V
NPN PORTS: P4 AND P6						
I_{LO}	output leakage current	$V_{CC} = 5.5\text{ V}$; $V_{Pn} = 6\text{ V}$	–	–	10	μA
$V_{CE(sat)}$	output saturation voltage	buffer P4 or P6 is on; sinking 5 mA	–	0.25	0.4	V
ADC INPUT						
V_i	ADC input voltage	see Table 10	0	–	V_{CC}	V
I_{IH}	HIGH-level input current	ADC input $V_i = V_{CC}$	–	–	10	μA
I_{iL}	LOW-level input current	ADC input $V_i = 0\text{ V}$	–10	–	–	μA
AS INPUT (ADDRESS SELECTION)						
I_{IH}	HIGH-level input current	AS input $V_i = V_{CC}$	–	–	10	μA
I_{iL}	LOW-level input current	AS input $V_i = 0\text{ V}$	–10	–	–	μA

5 V mixer/oscillator and synthesizer for PAL and NTSC standards

TDA6500TT; TDA6501TT

SYMBOL	PARAMETER	CONDITIONS	MIN.	TYP.	MAX.	UNIT
SCL AND SDA INPUTS						
V_{IL}	LOW-level input voltage		0	–	1.5	V
V_{IH}	HIGH-level input voltage		2.3	–	5.5	V
I_{IH}	HIGH-level input current	$V_{BUS} = 5.5\text{ V}; V_{CC} = 0\text{ V}$	–	–	10	μA
		$V_{BUS} = 5.5\text{ V}; V_{CC} = 5.5\text{ V}$	–	–	10	μA
I_{IL}	LOW-level input current	$V_{BUS} = 1.5\text{ V}; V_{CC} = 0\text{ V}$	–	–	10	μA
		$V_{BUS} = 0\text{ V}; V_{CC} = 5.5\text{ V}$	–10	–	–	μA
SDA OUTPUT						
I_{LO}	leakage current	SDA output $V_o = 5.5\text{ V}$	–	–	10	μA
V_o	output voltage	sink current = 3 mA	–	–	0.4	V
CLOCK FREQUENCY						
f_{clk}	clock frequency		–	–	400	kHz
CHARGE PUMP OUTPUT CP						
$ I_{IH} $	HIGH-level input current (absolute value)	CP = 1	–	280	–	μA
$ I_{IL} $	LOW-level input current (absolute value)	CP = 0	–	60	–	μA
$I_{LO(off)}$	off-state leakage current	T2 = 0; T1 = 1; T0 = 0	–15	0	+15	nA
TUNING VOLTAGE OUTPUT VT						
$I_{LO(off)}$	off-state leakage current	OS = 1; tuning supply = 33 V	–	–	10	μA
V_o	output voltage when the loop is closed	OS = 0; T2 = 0; T1 = 0; T0 = 1; $R_L = 27\text{ k}\Omega$; tuning supply = 33 V	0.2	–	32.7	V
Mixer/oscillator part						
LOW BAND MIXER MODE (P0 = 1 AND P1 = 0); INCLUDING IF AMPLIFIER						
f_{RF}	RF frequency	picture carrier; note 1	44.25	–	154.25	MHz
G_v	voltage gain	$f_{RF} = 44.25\text{ MHz}$; see Fig.7	25.0	27.5	30	dB
		$f_{RF} = 157\text{ MHz}$; see Fig.7	25.0	27.5	30	dB
NF	noise figure	$f_{RF} = 50\text{ MHz}$; see Figs 8 and 9	–	8.0	10.0	dB
V_o	output voltage causing 0.3% cross modulation in channel	$f_{RF} = 44.25\text{ MHz}$; see Fig.10	108	111	–	dB μV
		$f_{RF} = 157\text{ MHz}$; see Fig.10	108	111	–	dB μV
V_o	output voltage causing 1.1 kHz incidental FM	$f_{RF} = 44.25\text{ MHz}$; note 2	108	111	–	dB μV
		$f_{RF} = 157\text{ MHz}$; note 2	108	111	–	dB μV
INT _{SO2}	channel SO2 beat	$V_{RFpix} = 115\text{ dB}\mu\text{V}$ at IF output; note 3	57	60	–	dBc
V_i	input level without lock-out	see Fig.14; note 13	–	–	120	dB μV
g_{os}	optimum source conductance for noise figure	$f_{RF} = 50\text{ MHz}$	–	0.7	–	mS
		$f_{RF} = 150\text{ MHz}$	–	0.9	–	mS
g_i	input conductance	$f_{RF} = 44.25\text{ MHz}$; see Fig.4	–	0.30	–	mS
		$f_{RF} = 161.25\text{ MHz}$; see Fig.4	–	0.33	–	mS

5 V mixer/oscillator and synthesizer for PAL and NTSC standards

TDA6500TT; TDA6501TT

SYMBOL	PARAMETER	CONDITIONS	MIN.	TYP.	MAX.	UNIT
C_i	input capacitance	$f_{RF} = 44.25$ to 161.25 MHz; see Fig.4	–	1.29	–	pF
HIGH BAND MIXER IN MID BAND MODE ($P_0 = 0$ AND $P_1 = 1$); INCLUDING IF AMPLIFIER						
f_{RF}	RF frequency	picture carrier; note 1	161.25	–	439.25	MHz
G_v	voltage gain	$f_{RF} = 157$ MHz; see Fig.11	35	38	41	dB
		$f_{RF} = 443$ MHz; see Fig.11	35	38	41	dB
NF	noise figure (not corrected for image)	$f_{RF} = 157$ MHz; see Fig.12	–	6	8.0	dB
		$f_{RF} = 443$ MHz; see Fig.12	–	6	8.0	dB
V_o	output voltage causing 0.3% cross modulation in channel	$f_{RF} = 157$ MHz; see Fig.13	108	111	–	dB μ V
		$f_{RF} = 443$ MHz; see Fig.13	108	111	–	dB μ V
V_o	output voltage causing 1.1 kHz incidental FM	$f_{RF} = 157$ MHz; note 2	108	111	–	dB μ V
		$f_{RF} = 443$ MHz; note 2	108	111	–	dB μ V
$V_{f(N+5)-1}$	(N + 5) – 1 MHz pulling	$f_{RFwanted} = 443$ MHz; $f_{osc} = 481.9$ MHz; $f_{RFunwanted} = 482$ MHz; note 8	72	80	–	dB μ V
Z_i	input impedance ($R_S + jL_S\omega$)	R_S at $f_{RF} = 157$ MHz; see Fig.5	–	25	–	Ω
		R_S at $f_{RF} = 443$ MHz; see Fig.5	–	25	–	Ω
		L_S at $f_{RF} = 157$ MHz; see Fig.5	–	13	–	nH
		L_S at $f_{RF} = 443$ MHz; see Fig.5	–	13	–	nH
V_i	input level without lock-out	see Fig.15; note 13	–	–	120	dB μ V
HIGH BAND MIXER IN HIGH BAND MODE ($P_0 = 0$ AND $P_1 = 0$); INCLUDING IF AMPLIFIER						
f_{RF}	RF frequency	picture carrier; note 1	455.25	–	855.25	MHz
G_v	voltage gain	$f_{RF} = 443$ MHz; see Fig.11	35	38	41	dB
		$f_{RF} = 863.25$ MHz; see Fig.11	35	38	41	dB
NF	noise figure (not corrected for image)	$f_{RF} = 443$ MHz; see Fig.12	–	6.0	8.0	dB
		$f_{RF} = 863.25$ MHz; see Fig.12	–	7.0	9.0	dB
V_o	output voltage causing 0.3% cross modulation in channel	$f_{RF} = 443$ MHz; see Fig.13	108	111	–	dB μ V
		$f_{RF} = 863.25$ MHz; see Fig.13	108	111	–	dB μ V
V_o	output voltage causing 1.1 kHz incidental FM	$f_{RF} = 443$ MHz; note 2	108	111	–	dB μ V
		$f_{RF} = 863.25$ MHz; note 2	108	111	–	dB μ V
$V_{f(N+5)-1}$	(N + 5) – 1 MHz pulling	$f_{RFwanted} = 863.25$ MHz; $f_{osc} = 902.15$ MHz; $f_{RFunwanted} = 902.25$ MHz; note 8	72	80	–	dB μ V
Z_i	input impedance ($R_S + jL_S\omega$)	R_S at $f_{RF} = 443$ MHz; see Fig.5	–	25	–	Ω
		R_S at $f_{RF} = 863.25$ MHz; see Fig.5	–	23	–	Ω
		L_S at $f_{RF} = 443$ MHz; see Fig.5	–	13	–	nH
		L_S at $f_{RF} = 863.25$ MHz; see Fig.5	–	13	–	nH
V_i	input level without lock-out	see Fig.15; note 13	–	–	120	dB μ V

5 V mixer/oscillator and synthesizer for PAL and NTSC standards

TDA6500TT; TDA6501TT

SYMBOL	PARAMETER	CONDITIONS	MIN.	TYP.	MAX.	UNIT
LOW BAND OSCILLATOR (see Fig.16)						
f_{osc}	oscillator frequency	note 4	84.15	–	193.15	MHz
$\Delta f_{osc(V)}$	oscillator frequency shift with supply voltage	$\Delta V_{CC} = 5\%$; note 5	–	20	70	kHz
		$\Delta V_{CC} = 10\%$; note 5	–	110	–	kHz
$\Delta f_{osc(T)}$	oscillator frequency drift with temperature	$\Delta T = 25\text{ }^{\circ}\text{C}$; $V_{CC} = 5\text{ V}$ with compensation; note 6	–	800	1100	kHz
$\Delta f_{osc(t)}$	oscillator frequency switch-on drift	5 s to 15 min after switching on $V_{CC} = 5\text{ V}$; note 7	–	500	700	kHz
Φ_{osc}	phase noise, carrier to noise sideband	$\pm 10\text{ kHz}$ frequency offset; worst case in the frequency range	84	87	–	dBc/Hz
		$\pm 100\text{ kHz}$ frequency offset; worst case in the frequency range	104	107	–	dBc/Hz
RSC_{p-p}	ripple susceptibility of V_{CC} (peak-to-peak value)	$4.75 < V_{CC} < 5.25\text{ V}$; worst case in the frequency range; ripple frequency 500 kHz; note 9	15	20	–	mV
MID BAND OSCILLATOR (see Fig.16)						
f_{osc}	oscillator frequency	note 4	200.15	–	478.15	MHz
$\Delta f_{osc(V)}$	oscillator frequency shift with supply voltage	$\Delta V_{CC} = 5\%$; note 5	–	20	70	kHz
		$\Delta V_{CC} = 10\%$; note 5	–	110	–	kHz
$\Delta f_{osc(T)}$	oscillator frequency drift with temperature	$\Delta T = 25\text{ }^{\circ}\text{C}$; $V_{CC} = 5\text{ V}$ with compensation; note 6	–	1000	1500	kHz
$\Delta f_{osc(t)}$	oscillator frequency drift after switch on	5 s to 15 min after switching on $V_{CC} = 5\text{ V}$; note 7	–	500	700	kHz
Φ_{osc}	phase noise, carrier to noise sideband	$\pm 10\text{ kHz}$ frequency offset; worst case in the frequency range	84	87	–	dBc/Hz
		$\pm 100\text{ kHz}$ frequency offset; worst case in the frequency range	104	107	–	dBc/Hz
RSC_{p-p}	ripple susceptibility of V_{CC} (peak-to-peak value)	$4.75 < V_{CC} < 5.25\text{ V}$; worst case in the frequency range; ripple frequency 500 kHz; note 9	15	20	–	mV
HIGH BAND OSCILLATOR (see Fig.16)						
f_{osc}	oscillator frequency	note 4	494.15	–	894.15	MHz
$\Delta f_{osc(V)}$	oscillator frequency shift with supply voltage	$\Delta V_{CC} = 5\%$; note 5	–	20	70	kHz
		$\Delta V_{CC} = 10\%$; note 5	–	300	–	kHz
$\Delta f_{osc(T)}$	oscillator frequency drift with temperature	$\Delta T = 25\text{ }^{\circ}\text{C}$ $V_{CC} = 5\text{ V}$; with compensation; note 6	–	1100	1500	kHz
$\Delta f_{osc(t)}$	oscillator frequency drift after switch on	5 s to 15 min after switching on; $V_{CC} = 5\text{ V}$; note 7	–	600	900	kHz
Φ_{osc}	phase noise, carrier to noise sideband	$\pm 10\text{ kHz}$ frequency offset; worst case in the frequency range	84	87	–	dBc/Hz
		$\pm 100\text{ kHz}$ frequency offset; worst case in the frequency range	104	107	–	dBc/Hz

5 V mixer/oscillator and synthesizer for PAL and NTSC standards

TDA6500TT; TDA6501TT

SYMBOL	PARAMETER	CONDITIONS	MIN.	TYP.	MAX.	UNIT
RSC _{p-p}	ripple susceptibility of V _{CC} (peak-to-peak value)	4.75 < V _{CC} < 5.25 V; worst case in the frequency range; ripple frequency 500 kHz; note 9	15	20	–	mV
IF AMPLIFIER						
S ₂₂	output reflection coefficient	magnitude; see Fig.6	–	38	–	dB
		phase; see Fig.6	–	0.36	–	deg
Z _o	output impedance (R _S + jL _S ω)	R _S at 36.15 MHz; see Fig.6	–	79	–	Ω
		C _S at 36.15 MHz; see Fig.6	–	9	–	nF
		R _S at 43.5 MHz; see Fig.6	–	80	–	Ω
		C _S at 43.5 MHz; see Fig.6	–	3	–	nF
REJECTION AT THE IF OUTPUT						
INT _{div}	level of divider interferences in the IF signal	note 10; worst case	–	–	23	dBμV
INT _{X_{TAL}}	crystal oscillator interferences rejection	V _{IF} = 100 dBμV; worst case in the frequency range; note 11	60	66	–	dBc
INT _{f_{ref}}	reference frequency rejection	V _{IF} = 100 dBμV; worst case in the frequency range; note 12	60	66	–	dBc
AGC OUTPUT						
AGC _{TOP}	AGC take-over point	AL2 = 0; AL1 = 1; AL0 = 0	110.5	112	113.5	dBμV
I _{source(fast)}	source current 1		8.0	9.5	11.0	μA
I _{source(slow)}	source current 2		210.0	245.0	280.0	nA
I _{sink(peak)}	peak sink current to ground		80	100	120	μA
V _{max}	AGC maximum output voltage		3.45	3.5	3.6	V
V _{min}	AGC minimum output voltage		0	–	0.1	V
V _{RF(slip)}	RF voltage range to switch the AGC from active to not active mode		–	–	0.5	dB
V _{RM(L)}	AGC output voltage	AGC bit = 1 or AGC active	0	–	2.9	V
V _{RM(H)}	AGC output voltage	AGC bit = 0 or AGC not active	3	3.5	3.6	V
I _{LO}	AGC leakage current	AL2 = 1; AL1 = 1; AL0 = 0; 0 < V _{AGC} < V _{CC}	–50	–	+50	nA
V _{O(off)}	AGC output voltage with AGC disabled	AL2 = 1; AL1 = 1; AL0 = 1	3.45	3.5	3.6	V

Notes

- The RF frequency range is defined by the oscillator frequency range and the Intermediate Frequency (IF).
- This is the level of the RF unwanted signal, 50% amplitude modulated with 1 kHz, that causes a 1.1 kHz FM modulation of the local oscillator and thus of the wanted signal; V_{wanted} = 100 dBμV; f_{unwanted} = f_{wanted} + 5.5 MHz. The FM modulation is measured at the oscillator output with a peaking coil using a modulation analyser with a peak to peak detector and a post detection filter of 300 Hz up to 3 kHz.
- Channel SO2 beat is the interfering product of f_{RFpix}, f_{IF} and f_{osc} of channel SO2; f_{beat} = 37.35 MHz. The possible mechanisms are: f_{osc} – 2 × f_{IF} or 2 × f_{RFpix} – f_{osc}. For the measurement V_{O(IFOUT)} = V_{RFpix} = 115 dBμV.

5 V mixer/oscillator and synthesizer for PAL and NTSC standards

TDA6500TT; TDA6501TT

4. Limits are related to the tank circuits used in Fig.16 for a PAL application. The choice of different external components adapts the measurement circuit to other frequency bands or NTSC applications.
5. The frequency shift is defined as a change in oscillator frequency when the supply voltage varies from $V_{CC} = 5$ to 4.75 V (4.5 V) or from $V_{CC} = 5$ to 5.25 V (5.5 V). The oscillator is free running during this measurement.
6. The frequency drift is defined as a change in oscillator frequency when the ambient temperature varies from $T_{amb} = 25$ to 50 °C or from $T_{amb} = 25$ to 0 °C. The oscillator is free running during this measurement.
7. Switch-on drift is defined as the change in oscillator frequency between 5 s and 15 min after switch on. The oscillator is free running during this measurement.
8. $(N + 5) - 1$ MHz pulling is the input level of channel $N + 5$, at frequency 1 MHz lower, causing FM sidebands 30 dB below the wanted carrier.
9. The supply ripple susceptibility is measured in the circuit according to Fig.16 using a spectrum analyser connected to the IF output. An unmodulated RF signal is applied to the test board RF input. A sinewave signal with a frequency of 500 kHz is superimposed onto the supply voltage. The amplitude of this ripple signal is adjusted to bring the 500 kHz sidebands around the IF carrier to a level of -53.5 dB with respect to the carrier.
10. This is the level of divider interferences close to the IF. For example channel S3: $f_{osc} = 158.15$ MHz, $\frac{1}{4}f_{osc} = 39.5375$ MHz. The LOSCIN input must be left open (i.e. not connected to any load or cable); the HOSCIN1 and HOSCIN2 inputs are connected to a hybrid.
11. Crystal oscillator interference means the 4 MHz sidebands caused by the crystal oscillator. The rejection has to be greater than 60 dB for an IF output signal of 100 dB μ V.
12. The reference frequency rejection is the level of reference frequency sidebands (e.g. 62.5 kHz) related to the carrier. The rejection has to be greater than 60 dB for an IF output signal of 100 dB μ V.
13. The IF output signal stays stable within the range of the f_{ref} step for a low level RF input up to 120 dB μ V. This should be verified for every channel in the band.

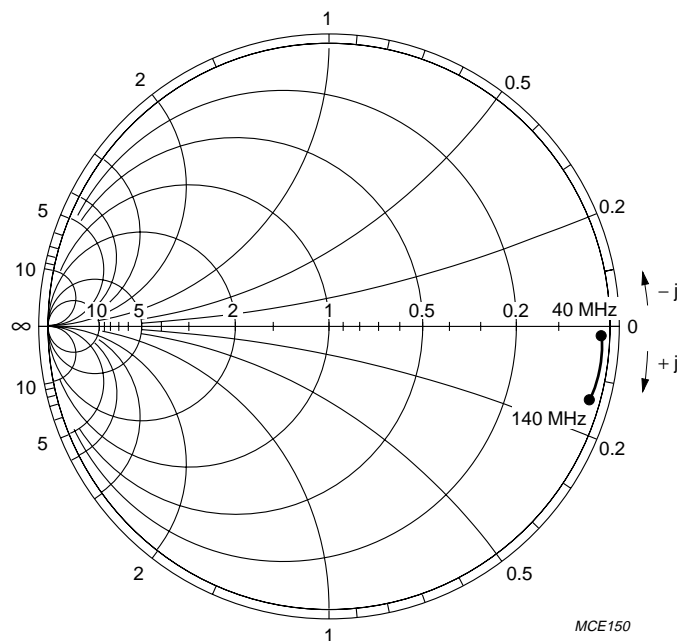


Fig.4 Input admittance (S_{11}) of the low band mixer (40 to 140 MHz); $Y_o = 20$ mS.

5 V mixer/oscillator and synthesizer
for PAL and NTSC standards

TDA6500TT; TDA6501TT

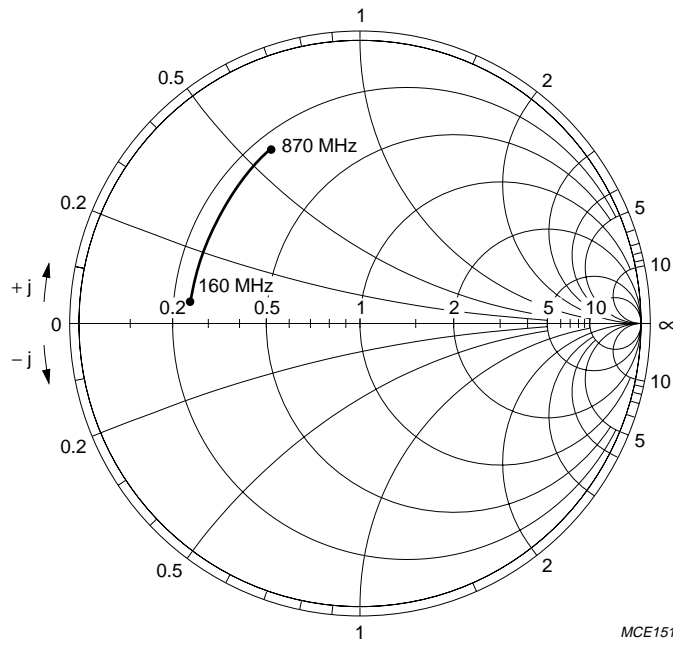


Fig.5 Input impedance (S_{11}) of the mid and high band mixer(160 to 870 MHz); $Z_o = 100 \Omega$.

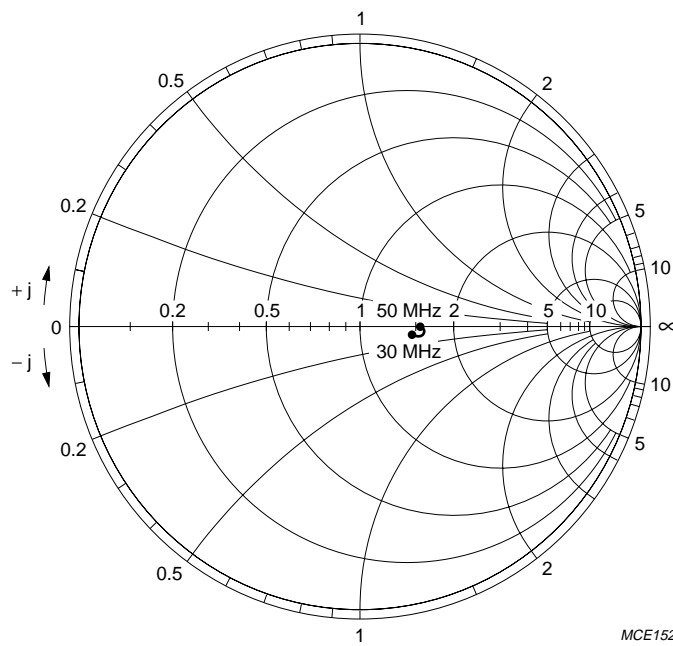
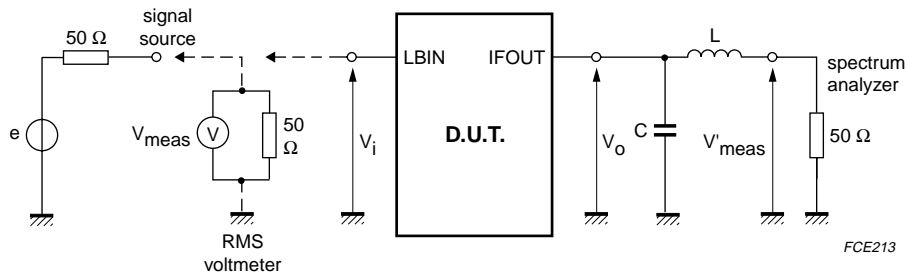


Fig.6 Output impedance (S_{22}) of the IF amplifier (30 to 50 MHz); $Z_o = 50 \Omega$.

5 V mixer/oscillator and synthesizer
for PAL and NTSC standards

TDA6500TT; TDA6501TT



$$Z_i \gg 50 \Omega \rightarrow V_i = 2 \times V_{meas} = 80 \text{ dB}\mu\text{V}.$$

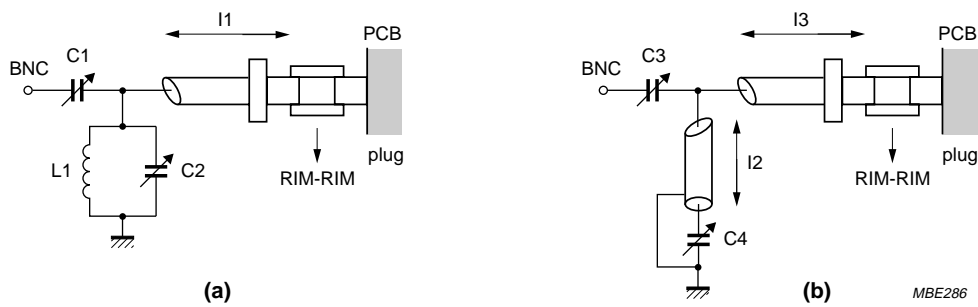
$$V_i = V_{meas} + 6 \text{ dB} = 80 \text{ dB}\mu\text{V}.$$

$$V_o = V'_{meas} \times \frac{50}{\sqrt{50^2 + L^2 \omega^2}} = V'_{meas} + \text{attenuation}.$$

$$G_v = 20 \log \frac{V_o}{V_i}.$$

PAL:
IF = 38.9 MHz.
L = 680 nH.
C = 25.9 pF.
attenuation = 10.2 dB.

Fig.7 Gain (G_v) measurement in low band.



For $f_{RF} = 50 \text{ MHz}$.

Low band mixer frequency response measured = 57 MHz; loss = 0 dB; image suppression = 16 dB.

C1 = 9 pF.

C2 = 15 pF.

L1 = 7 turns ($\varnothing 5.5 \text{ mm}$, wire $\varnothing = 0.5 \text{ mm}$).

I1 = semi rigid cable (RIM): 5 cm long; 33 dB/100 m; 50 Ω ; 96 pF/m.

For $f_{RF} = 150 \text{ MHz}$.

Low band mixer frequency response measured = 150.3 MHz; loss = 1.3 dB; image suppression = 13 dB.

C3 = 5 pF.

C4 = 25 pF.

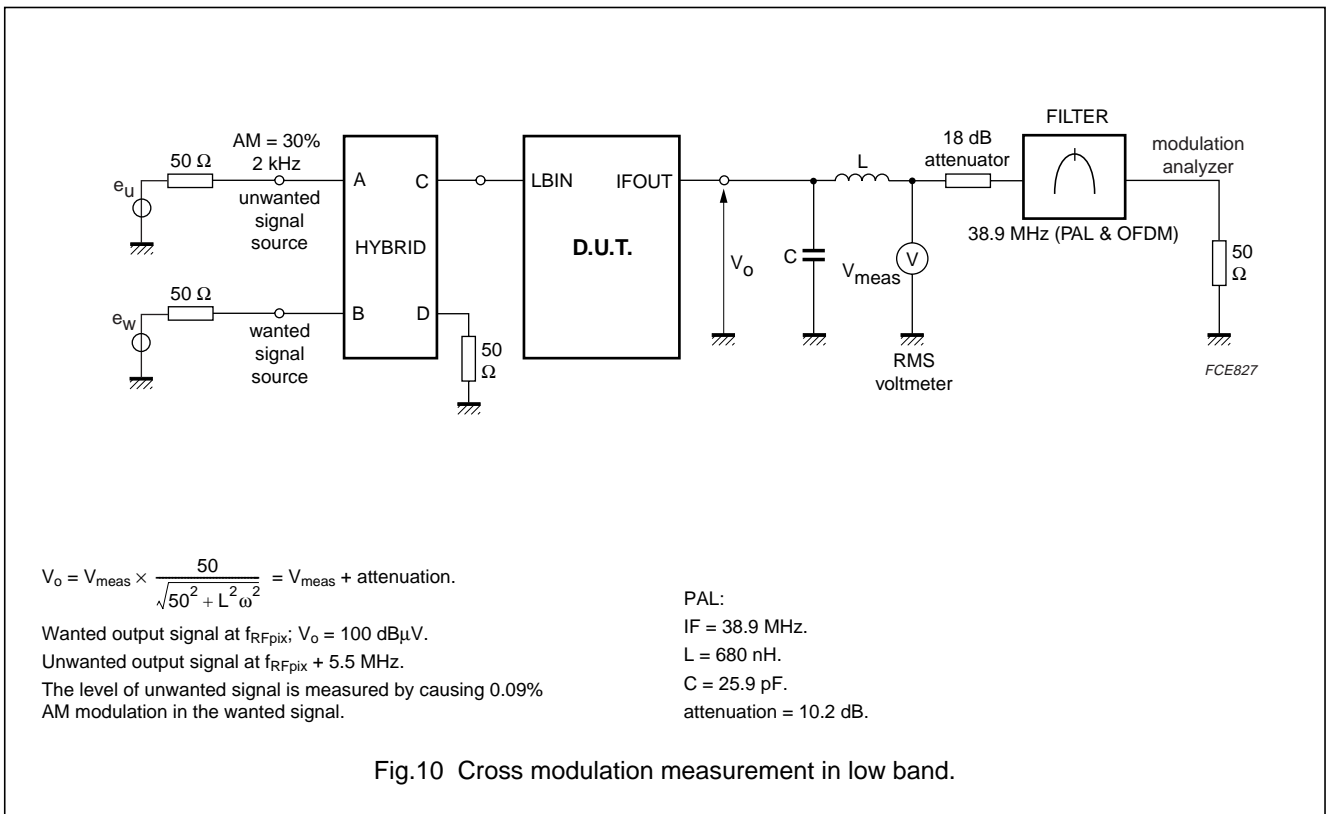
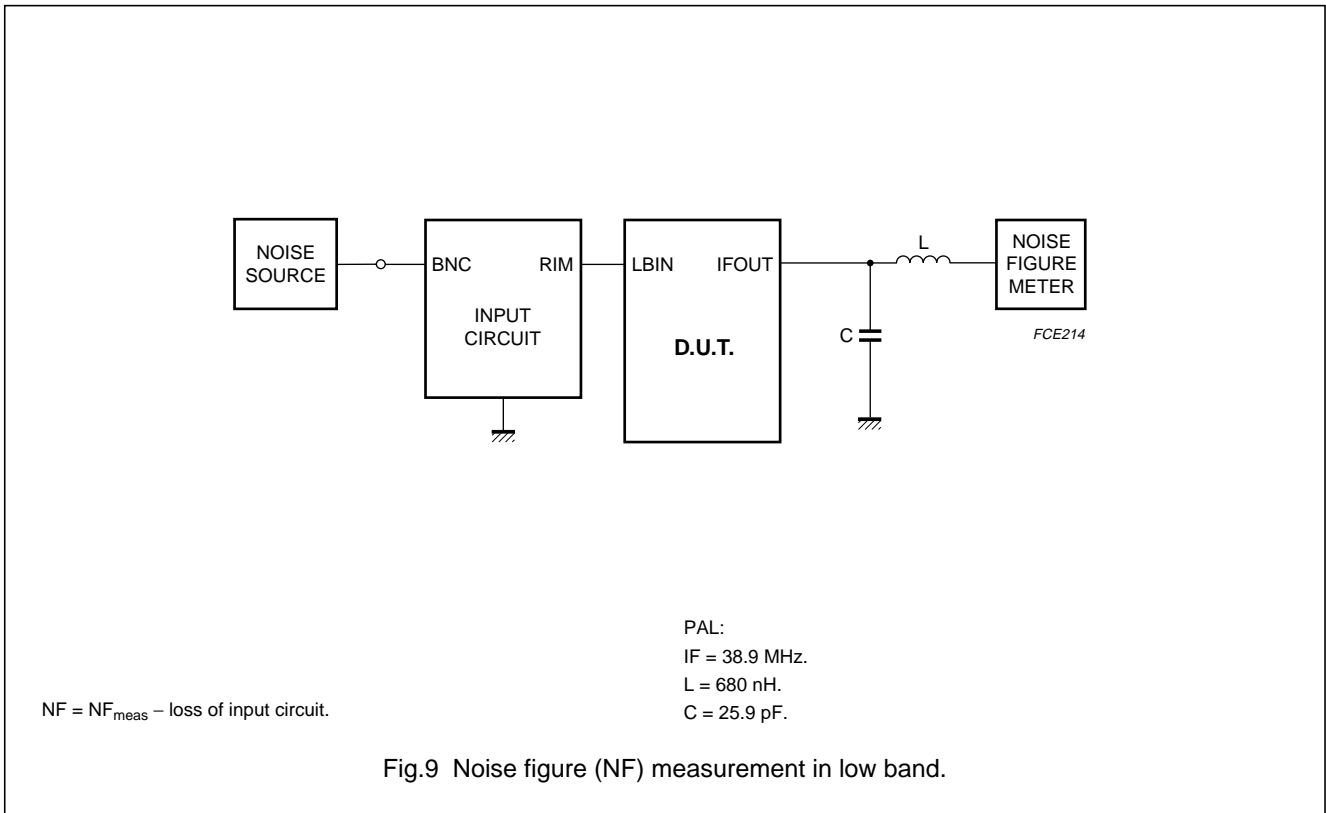
I2 = semi rigid cable (RIM): 30 cm long; 33 dB/100 m; 50 Ω ; 96 pF/m.

I3 = semi rigid cable (RIM): 5 cm long; 33 dB/100 m; 50 Ω ; 96 pF/m.

Fig.8 Input circuit for optimum noise figure in the low band.

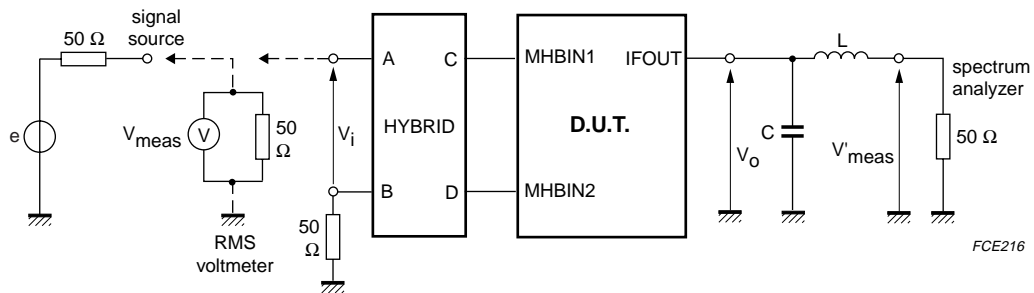
5 V mixer/oscillator and synthesizer
for PAL and NTSC standards

TDA6500TT; TDA6501TT



5 V mixer/oscillator and synthesizer
for PAL and NTSC standards

TDA6500TT; TDA6501TT



Loss in hybrid = 1 dB.

$$V_i = V_{meas} - \text{loss} = 70 \text{ dB}\mu\text{V}.$$

$$V_o = V'_{meas} \times \frac{50}{\sqrt{50^2 + L^2 \omega^2}} = V'_{meas} + \text{attenuation}.$$

$$G_v = 20 \log \frac{V_o}{V_i}.$$

PAL:

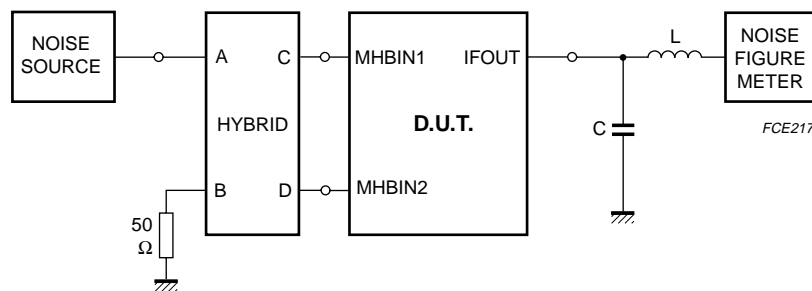
IF = 38.9 MHz.

L = 680 nH.

C = 25.9 pF.

attenuation = 10.2 dB.

Fig.11 Gain (G_v) measurement in mid and high bands.



Loss in hybrid = 1 dB.

$$NF = NF_{meas} - \text{loss}.$$

PAL:

IF = 38.9 MHz.

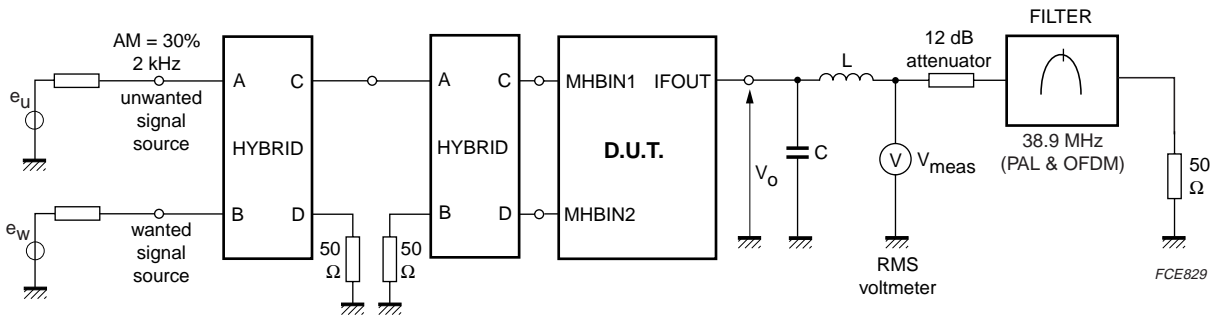
L = 680 nH.

C = 25.9 pF.

Fig.12 Noise figure (NF) measurement in mid and high bands.

5 V mixer/oscillator and synthesizer
for PAL and NTSC standards

TDA6500TT; TDA6501TT



$$V_o = V_{meas} \times \frac{50}{\sqrt{50^2 + L^2 \omega^2}} = V_{meas} + \text{attenuation.}$$

Wanted output signal at f_{RFpix} ; $V_o = 100 \text{ dB}\mu\text{V}$.

Unwanted output signal at $f_{RFpix} + 5.5 \text{ MHz}$.

The level of unwanted signal is measured by causing 0.09% AM modulation in the wanted signal.

PAL:

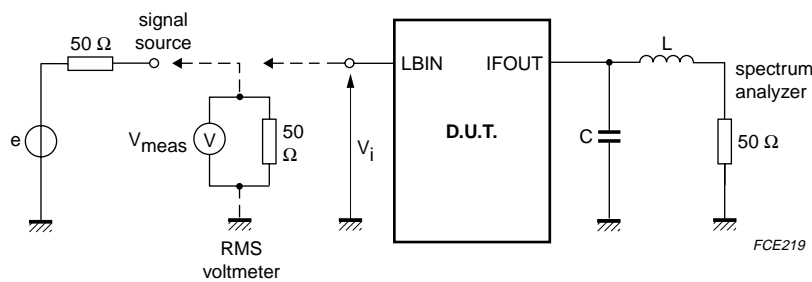
IF = 38.9 MHz.

L = 680 nH.

C = 25.9 pF.

attenuation = 10.2 dB.

Fig.13 Cross modulation measurement in mid and high bands.



$$Z_i \gg 50 \Omega \rightarrow V_i = 2 \times V_{meas} = V_{meas} + 6 \text{ dB.}$$

PAL:

IF = 38.9 MHz.

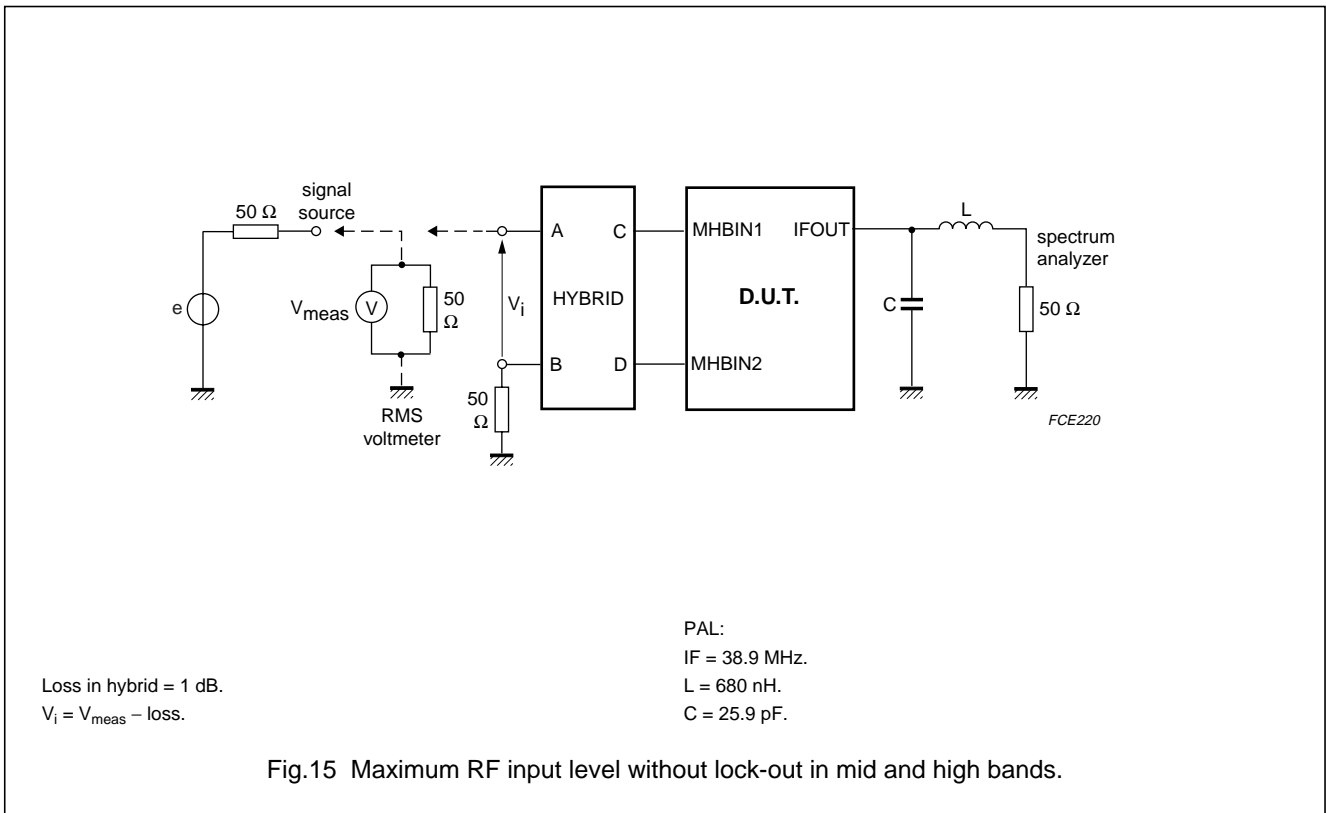
L = 680 nH.

C = 25.9 pF.

Fig.14 Maximum RF input level without lock-out in low band.

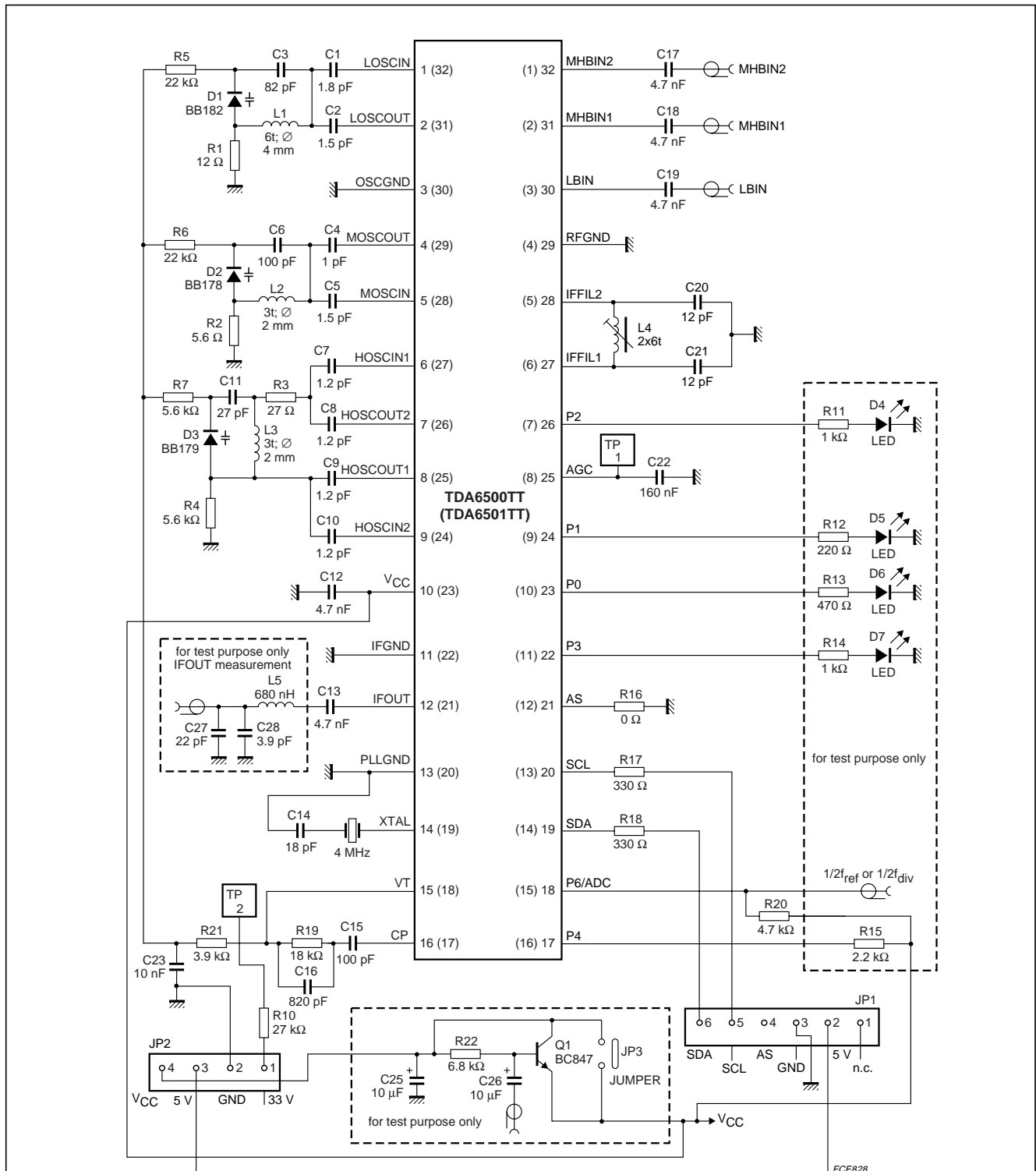
5 V mixer/oscillator and synthesizer
for PAL and NTSC standards

TDA6500TT; TDA6501TT



5 V mixer/oscillator and synthesizer for PAL and NTSC standards

TDA6500TT; TDA6501TT



The pin numbers in parenthesis represent the TDA6501TT.

Fig.16 Measurement circuit for PAL on test jig.

5 V mixer/oscillator and synthesizer for PAL and NTSC standards

TDA6500TT; TDA6501TT

Table 12 Component values for measurement circuit

COMPONENT	VALUE
Capacitors (SMD and NP0, unless otherwise stated)	
C1	1.8 pF (N750)
C2	1.5 pF (N750)
C3	82 pF (N750)
C4	1 pF (N750)
C5	1.5 pF (N750)
C6	100 pF (N750)
C7	1.2 pF (N750)
C8	1.2 pF (N750)
C9	1.2 pF (N750)
C10	1.2 pF (N750)
C11	27 pF (N750)
C12	4.7 nF
C13	4.7 nF
C14	18 pF
C15	100 nF
C16	820 pF
C17	4.7 nF
C18	4.7 nF
C19	4.7 nF
C20	12 pF
C21	12 pF
C22	160 nF
C23	10 nF
C25	10 μ F (16 V; electrolytic)
C26	10 μ F (16 V; electrolytic)
C27	22 pF
C28	3.9 pF
Resistors; all SMD	
R1	12 Ω
R2	5.6 Ω
R3	27 Ω
R4	5.6 k Ω
R5	22 k Ω
R6	22 k Ω

COMPONENT	VALUE
R7	5.6 k Ω
R10	27 k Ω
R11	1 k Ω
R12	220 Ω
R13	470 Ω
R14	1 k Ω
R15	2.2 k Ω
R16	0 Ω
R17	330 Ω
R18	330 Ω
R19	18 k Ω
R20	4.7 k Ω
R21	3.9 k Ω
R22	6.8 k Ω
Diodes and ICs	
D1	BB182
D2	BB178
D3	BB179
IC	TDA6500TT/TDA6501TT
Coils; including IF coil; wire size 0.4 mm	
L1	6 t; \varnothing 4 mm
L2	3 t; \varnothing 2 mm
L3	3 t; \varnothing 2 mm
L4	12 t; coil type: TOKO 7kN; material: 113 kN; screw core: 03-0093; pot core: 04-0026
L5	680 nH
Crystal	
X1	4 MHz
Transistors	
Q1	BC847
LEDs	
D4	3 mm
D5	3 mm
D6	3 mm
D7	3 mm

5 V mixer/oscillator and synthesizer for PAL and NTSC standards

TDA6500TT; TDA6501TT

11 APPLICATION INFORMATION

11.1 Tuning amplifier

The tuning amplifier is capable of driving the varicap voltage without an external transistor. The tuning voltage output must be connected to an external load of 27 k Ω which is connected to the tuning voltage supply rail. The loop filter design depends on the oscillator characteristics and the selected reference frequency.

11.2 Crystal oscillator

The crystal oscillator uses a 4 MHz crystal connected in series with an 18 pF capacitor thereby operating in the series resonance mode. Connecting the crystal to the ground is preferred, but it can also be connected to the supply voltage.

11.3 Examples of I²C-bus sequences

Tables 13 to 18 show various write sequences where:

S = START

A = acknowledge

P = STOP.

Conditions:

$f_{osc} = 100$ MHz

P0 is on to switch on the low band

P3 is on

$I_{CP} = 280$ μ A

$f_{step} = 62.5$ kHz

N = 1600

$f_{XTAL} = 4$ MHz

$I_{AGC} = 245$ nA

AGC take-over point is set to 112 dB μ V asymmetrical.

For the complete sequence see Table 13 (sequence 1) or Table 14 (sequence 2).

Other I²C-bus addresses may be selected by applying an appropriate voltage to the AS input.

Table 13 Complete sequence 1

START	ADDRESS BYTE		DIVIDER BYTE 1		DIVIDER BYTE 2		CONTROL BYTE		BAND SWITCH BYTE		CONTROL BYTE		AUXILIARY BYTE		STOP
S	C2	A	06	A	40	A	CE	A	09	A	DE	A	20	A	P

Table 14 Complete sequence 2

START	ADDRESS BYTE		CONTROL BYTE		AUXILIARY BYTE		CONTROL BYTE		BAND SWITCH BYTE		DIVIDER BYTE 1		DIVIDER BYTE 2		STOP
S	C2	A	DE	A	20	A	CE	A	09	A	06	A	40	A	P

Table 15 Divider bytes only sequence

START	ADDRESS BYTE		DIVIDER BYTE 1		DIVIDER BYTE 2		STOP
S	C2	A	06	A	40	A	P

Table 16 Control and band switch bytes only sequence

START	ADDRESS BYTE		CONTROL BYTE		BAND SWITCH BYTE		STOP
S	C2	A	CE	A	09	A	P

5 V mixer/oscillator and synthesizer for PAL and NTSC standards

TDA6500TT; TDA6501TT

Table 17 Control and auxiliary bytes only sequence

START	ADDRESS BYTE		CONTROL BYTE		AUXILIARY BYTE		STOP
S	C2	A	DE	A	20	A	P

Table 18 Control byte only sequence

START	ADDRESS BYTE		CONTROL BYTE		STOP
S	C2	A	DE	A	P

Tables 19 and 20 show read sequences where:

S = START

A = acknowledge

XX = read status byte

X = no acknowledge from the master means end of sequence

P = STOP.

Table 19 Status byte acquisition

START	ADDRESS BYTE		STATUS BYTE		STOP
S	C3	A	XX	X	P

Table 20 Two status bytes acquisition

START	ADDRESS BYTE		STATUS BYTE 1		STATUS BYTE 2		STOP
S	C3	A	XX	A	XX	X	P

5 V mixer/oscillator and synthesizer
for PAL and NTSC standards

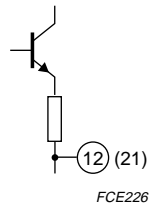
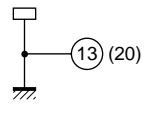
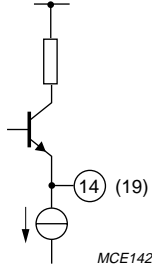
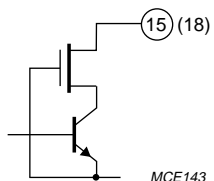
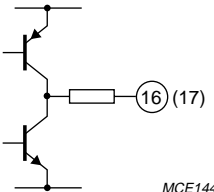
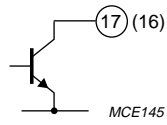
TDA6500TT; TDA6501TT

12 INTERNAL PIN CONFIGURATION

SYMBOL	PIN		AVERAGE DC VOLTAGE VERSUS BAND SELECTION			EQUIVALENT CIRCUIT ⁽¹⁾
	TDA6500TT	TDA6501TT	LOW	MID	HIGH	
LOSCIN	1	32	1.7	1.4	1.4	<p style="text-align: right;">FCE222</p>
LOSCOUT	2	31	2.9	3.5	3.5	
OSCGND	3	30	–	–	–	–
MOSCOUT	4	29	3.5	3.02	3.5	<p style="text-align: right;">FCE223</p>
MOSCIN	5	28	1.4	1.7	1.4	
HOSCIN1	6	27	2.2	2.2	1.8	<p style="text-align: right;">MCE141</p>
HOSCOUT2	7	26	5	5	2.5	
HOSCOUT1	8	25	5	5	2.5	
HOSCIN2	9	24	2.2	2.2	1.8	
V _{CC}	10	23	5.0	5.0	5.0	–
IFGND	11	22	–	–	–	<p style="text-align: right;">FCE225</p>

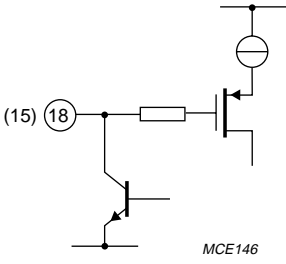
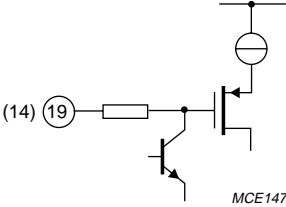
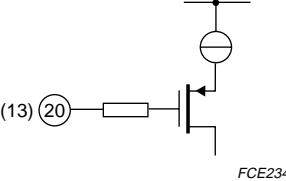
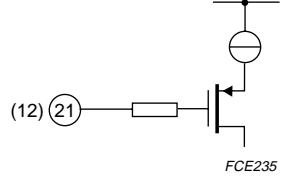
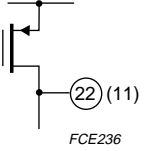
5 V mixer/oscillator and synthesizer
for PAL and NTSC standards

TDA6500TT; TDA6501TT

SYMBOL	PIN		AVERAGE DC VOLTAGE VERSUS BAND SELECTION			EQUIVALENT CIRCUIT ⁽¹⁾
	TDA6500TT	TDA6501TT	LOW	MID	HIGH	
IFOUT	12	21	2.1	2.1	2.1	 <p>FCE226</p>
PLLGND	13	20	–	–	–	 <p>FCE227</p>
XTAL	14	19	0.7	0.7	0.7	 <p>MCE142</p>
VT	15	18	V_{VT}	V_{VT}	V_{VT}	 <p>MCE143</p>
CP	16	17	1.0	1.0	1.0	 <p>MCE144</p>
P4	17	16	$V_{CE(sat)}$ or High Z	$V_{CE(sat)}$ or High Z	$V_{CE(sat)}$ or High Z	 <p>MCE145</p>

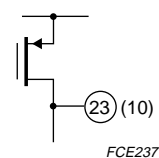
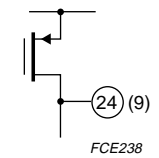
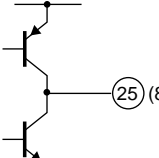
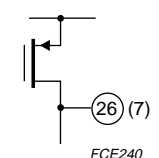
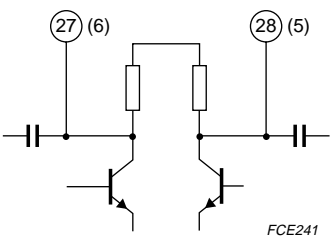
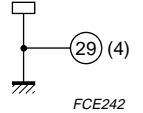
5 V mixer/oscillator and synthesizer
for PAL and NTSC standards

TDA6500TT; TDA6501TT

SYMBOL	PIN		AVERAGE DC VOLTAGE VERSUS BAND SELECTION			EQUIVALENT CIRCUIT ⁽¹⁾
	TDA6500TT	TDA6501TT	LOW	MID	HIGH	
P6/ADC	18	15	$V_{CE(sat)}$ or High Z	$V_{CE(sat)}$ or High Z	$V_{CE(sat)}$ or High Z	
SDA	19	14	n.a.	n.a.	n.a.	
SCL	20	13	n.a.	n.a.	n.a.	
AS	21	12	1.25	1.25	1.25	
P3	22	11	High Z or $V_{CC} - V_{DS}$	High Z or $V_{CC} - V_{DS}$	High Z or $V_{CC} - V_{DS}$	

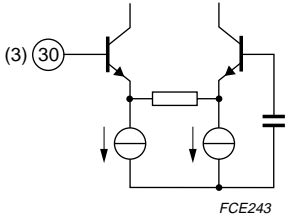
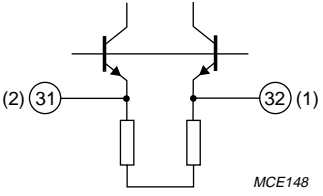
5 V mixer/oscillator and synthesizer
for PAL and NTSC standards

TDA6500TT; TDA6501TT

SYMBOL	PIN		AVERAGE DC VOLTAGE VERSUS BAND SELECTION			EQUIVALENT CIRCUIT ⁽¹⁾
	TDA6500TT	TDA6501TT	LOW	MID	HIGH	
P0	23	10	$V_{CC} - V_{DS}$	High Z	High Z	
P1	24	9	High Z	$V_{CC} - V_{DS}$	High Z	
AGC	25	8	0 V or 3.5 V	0 V or 3.5 V	0 V or 3.5 V	
P2	26	7	High Z or $V_{CC} - V_{DS}$	High Z or $V_{CC} - V_{DS}$	High Z or $V_{CC} - V_{DS}$	
IFFIL1	27	6	4.4	4.4	4.4	
IFFIL2	28	5	4.4	4.4	4.4	
RFGND	29	4	-	-	-	

5 V mixer/oscillator and synthesizer
for PAL and NTSC standards

TDA6500TT; TDA6501TT

SYMBOL	PIN		AVERAGE DC VOLTAGE VERSUS BAND SELECTION			EQUIVALENT CIRCUIT ⁽¹⁾
	TDA6500TT	TDA6501TT	LOW	MID	HIGH	
LBIN	30	3	1.8	n.a.	n.a.	
MHBIN1	31	2	n.a.	1.0	1.0	
MHBIN2	32	1	n.a.	1.0	1.0	

Note

1. The pin numbers in parenthesis represent the TDA6501TT.

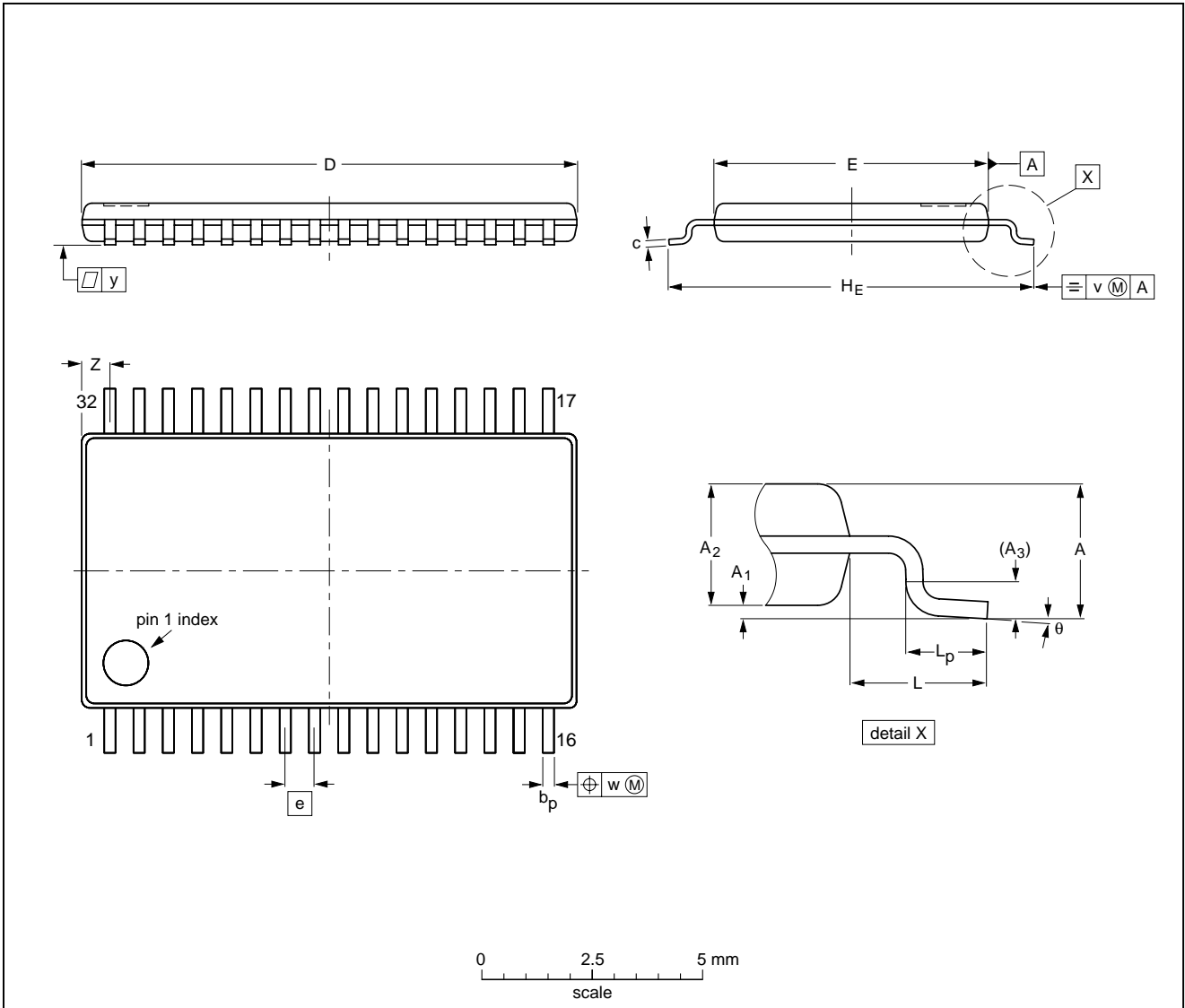
5 V mixer/oscillator and synthesizer
for PAL and NTSC standards

TDA6500TT; TDA6501TT

13 PACKAGE OUTLINE

TSSOP32: plastic thin shrink small outline package; 32 leads; body width 6.1 mm;
lead pitch 0.65 mm

SOT487-1



DIMENSIONS (mm are the original dimensions)

UNIT	A max.	A ₁	A ₂	A ₃	b _p	c	D ⁽¹⁾	E ⁽²⁾	e	H _E	L	L _p	v	w	y	Z	θ
mm	1.1	0.15 0.05	0.95 0.85	0.25	0.30 0.19	0.20 0.09	11.1 10.9	6.2 6.0	0.65	8.3 7.9	1	0.75 0.50	0.2	0.1	0.1	0.78 0.48	8° 0°

Notes

1. Plastic or metal protrusions of 0.15 mm maximum per side are not included.
2. Plastic interlead protrusions of 0.25 mm maximum per side are not included.

OUTLINE VERSION	REFERENCES				EUROPEAN PROJECTION	ISSUE DATE
	IEC	JEDEC	JEITA			
SOT487-1		MO-153				99-12-27 03-02-18

5 V mixer/oscillator and synthesizer for PAL and NTSC standards

TDA6500TT; TDA6501TT

14 SOLDERING

14.1 Introduction to soldering surface mount packages

This text gives a very brief insight to a complex technology. A more in-depth account of soldering ICs can be found in our "Data Handbook IC26; Integrated Circuit Packages" (document order number 9398 652 90011).

There is no soldering method that is ideal for all surface mount IC packages. Wave soldering can still be used for certain surface mount ICs, but it is not suitable for fine pitch SMDs. In these situations reflow soldering is recommended.

14.2 Reflow soldering

Reflow soldering requires solder paste (a suspension of fine solder particles, flux and binding agent) to be applied to the printed-circuit board by screen printing, stencilling or pressure-syringe dispensing before package placement. Driven by legislation and environmental forces the worldwide use of lead-free solder pastes is increasing.

Several methods exist for reflowing; for example, convection or convection/infrared heating in a conveyor type oven. Throughput times (preheating, soldering and cooling) vary between 100 and 200 seconds depending on heating method.

Typical reflow peak temperatures range from 215 to 270 °C depending on solder paste material. The top-surface temperature of the packages should preferably be kept:

- below 220 °C (SnPb process) or below 245 °C (Pb-free process)
 - for all BGA and SSOP-T packages
 - for packages with a thickness ≥ 2.5 mm
 - for packages with a thickness < 2.5 mm and a volume ≥ 350 mm³ so called thick/large packages.
- below 235 °C (SnPb process) or below 260 °C (Pb-free process) for packages with a thickness < 2.5 mm and a volume < 350 mm³ so called small/thin packages.

Moisture sensitivity precautions, as indicated on packing, must be respected at all times.

14.3 Wave soldering

Conventional single wave soldering is not recommended for surface mount devices (SMDs) or printed-circuit boards with a high component density, as solder bridging and non-wetting can present major problems.

To overcome these problems the double-wave soldering method was specifically developed.

If wave soldering is used the following conditions must be observed for optimal results:

- Use a double-wave soldering method comprising a turbulent wave with high upward pressure followed by a smooth laminar wave.
- For packages with leads on two sides and a pitch (e):
 - larger than or equal to 1.27 mm, the footprint longitudinal axis is **preferred** to be parallel to the transport direction of the printed-circuit board;
 - smaller than 1.27 mm, the footprint longitudinal axis **must** be parallel to the transport direction of the printed-circuit board.

The footprint must incorporate solder thieves at the downstream end.

- For packages with leads on four sides, the footprint must be placed at a 45° angle to the transport direction of the printed-circuit board. The footprint must incorporate solder thieves downstream and at the side corners.

During placement and before soldering, the package must be fixed with a droplet of adhesive. The adhesive can be applied by screen printing, pin transfer or syringe dispensing. The package can be soldered after the adhesive is cured.

Typical dwell time of the leads in the wave ranges from 3 to 4 seconds at 250 °C or 265 °C, depending on solder material applied, SnPb or Pb-free respectively.

A mildly-activated flux will eliminate the need for removal of corrosive residues in most applications.

14.4 Manual soldering

Fix the component by first soldering two diagonally-opposite end leads. Use a low voltage (24 V or less) soldering iron applied to the flat part of the lead. Contact time must be limited to 10 seconds at up to 300 °C.

When using a dedicated tool, all other leads can be soldered in one operation within 2 to 5 seconds between 270 and 320 °C.

5 V mixer/oscillator and synthesizer for PAL and NTSC standards

TDA6500TT; TDA6501TT

14.5 Suitability of surface mount IC packages for wave and reflow soldering methods

PACKAGE ⁽¹⁾	SOLDERING METHOD	
	WAVE	REFLOW ⁽²⁾
BGA, LBGA, LFBGA, SQFP, SSOP-T ⁽³⁾ , TFBGA, VFBGA	not suitable	suitable
DHVQFN, HBCC, HBGA, HLQFP, HSQFP, HSOP, HTQFP, HTSSOP, HVQFN, HVSON, SMS	not suitable ⁽⁴⁾	suitable
PLCC ⁽⁵⁾ , SO, SOJ	suitable	suitable
LQFP, QFP, TQFP	not recommended ⁽⁵⁾⁽⁶⁾	suitable
SSOP, TSSOP, VSO, VSSOP	not recommended ⁽⁷⁾	suitable

Notes

- For more detailed information on the BGA packages refer to the "*(LF)BGA Application Note*" (AN01026); order a copy from your Philips Semiconductors sales office.
- All surface mount (SMD) packages are moisture sensitive. Depending upon the moisture content, the maximum temperature (with respect to time) and body size of the package, there is a risk that internal or external package cracks may occur due to vaporization of the moisture in them (the so called popcorn effect). For details, refer to the Drypack information in the "*Data Handbook IC26; Integrated Circuit Packages; Section: Packing Methods*".
- These transparent plastic packages are extremely sensitive to reflow soldering conditions and must on no account be processed through more than one soldering cycle or subjected to infrared reflow soldering with peak temperature exceeding $217\text{ °C} \pm 10\text{ °C}$ measured in the atmosphere of the reflow oven. The package body peak temperature must be kept as low as possible.
- These packages are not suitable for wave soldering. On versions with the heatsink on the bottom side, the solder cannot penetrate between the printed-circuit board and the heatsink. On versions with the heatsink on the top side, the solder might be deposited on the heatsink surface.
- If wave soldering is considered, then the package must be placed at a 45° angle to the solder wave direction. The package footprint must incorporate solder thieves downstream and at the side corners.
- Wave soldering is suitable for LQFP, TQFP and QFP packages with a pitch (e) larger than 0.8 mm; it is definitely not suitable for packages with a pitch (e) equal to or smaller than 0.65 mm.
- Wave soldering is suitable for SSOP, TSSOP, VSO and VSSOP packages with a pitch (e) equal to or larger than 0.65 mm; it is definitely not suitable for packages with a pitch (e) equal to or smaller than 0.5 mm.

5 V mixer/oscillator and synthesizer for PAL and NTSC standards

TDA6500TT; TDA6501TT

15 DATA SHEET STATUS

LEVEL	DATA SHEET STATUS ⁽¹⁾	PRODUCT STATUS ⁽²⁾⁽³⁾	DEFINITION
I	Objective data	Development	This data sheet contains data from the objective specification for product development. Philips Semiconductors reserves the right to change the specification in any manner without notice.
II	Preliminary data	Qualification	This data sheet contains data from the preliminary specification. Supplementary data will be published at a later date. Philips Semiconductors reserves the right to change the specification without notice, in order to improve the design and supply the best possible product.
III	Product data	Production	This data sheet contains data from the product specification. Philips Semiconductors reserves the right to make changes at any time in order to improve the design, manufacturing and supply. Relevant changes will be communicated via a Customer Product/Process Change Notification (CPCN).

Notes

1. Please consult the most recently issued data sheet before initiating or completing a design.
2. The product status of the device(s) described in this data sheet may have changed since this data sheet was published. The latest information is available on the Internet at URL <http://www.semiconductors.philips.com>.
3. For data sheets describing multiple type numbers, the highest-level product status determines the data sheet status.

16 DEFINITIONS

Short-form specification — The data in a short-form specification is extracted from a full data sheet with the same type number and title. For detailed information see the relevant data sheet or data handbook.

Limiting values definition — Limiting values given are in accordance with the Absolute Maximum Rating System (IEC 60134). Stress above one or more of the limiting values may cause permanent damage to the device. These are stress ratings only and operation of the device at these or at any other conditions above those given in the Characteristics sections of the specification is not implied. Exposure to limiting values for extended periods may affect device reliability.

Application information — Applications that are described herein for any of these products are for illustrative purposes only. Philips Semiconductors make no representation or warranty that such applications will be suitable for the specified use without further testing or modification.

17 DISCLAIMERS

Life support applications — These products are not designed for use in life support appliances, devices, or systems where malfunction of these products can reasonably be expected to result in personal injury. Philips Semiconductors customers using or selling these products for use in such applications do so at their own risk and agree to fully indemnify Philips Semiconductors for any damages resulting from such application.

Right to make changes — Philips Semiconductors reserves the right to make changes in the products - including circuits, standard cells, and/or software - described or contained herein in order to improve design and/or performance. When the product is in full production (status 'Production'), relevant changes will be communicated via a Customer Product/Process Change Notification (CPCN). Philips Semiconductors assumes no responsibility or liability for the use of any of these products, conveys no licence or title under any patent, copyright, or mask work right to these products, and makes no representations or warranties that these products are free from patent, copyright, or mask work right infringement, unless otherwise specified.

**5 V mixer/oscillator and synthesizer
for PAL and NTSC standards**

TDA6500TT; TDA6501TT

18 PURCHASE OF PHILIPS I²C COMPONENTS

Purchase of Philips I²C components conveys a license under the Philips' I²C patent to use the components in the I²C system provided the system conforms to the I²C specification defined by Philips. This specification can be ordered using the code 9398 393 40011.

5 V mixer/oscillator and synthesizer
for PAL and NTSC standards

TDA6500TT; TDA6501TT

NOTES

Philips Semiconductors – a worldwide company

Contact information

For additional information please visit <http://www.semiconductors.philips.com>. Fax: +31 40 27 24825

For sales offices addresses send e-mail to: sales.addresses@www.semiconductors.philips.com.

© Koninklijke Philips Electronics N.V. 2003

SCA75

All rights are reserved. Reproduction in whole or in part is prohibited without the prior written consent of the copyright owner.

The information presented in this document does not form part of any quotation or contract, is believed to be accurate and reliable and may be changed without notice. No liability will be accepted by the publisher for any consequence of its use. Publication thereof does not convey nor imply any license under patent- or other industrial or intellectual property rights.

Printed in The Netherlands

753504/01/pp40

Date of release: 2003 Jun 05

Document order number: 9397 750 10109

Let's make things better.

**Philips
Semiconductors**



PHILIPS