



# 3.3V CMOS OCTAL BUS TRANSCEIVER WITH 3-STATE OUTPUTS AND 5 VOLT TOLERANT I/O

IDT74LVC245A

## FEATURES:

- 0.5 MICRON CMOS Technology
- ESD > 2000V per MIL-STD-883, Method 3015; > 200V using machine model (C = 200pF, R = 0)
- Vcc = 3.3V ± 0.3V, Normal Range
- Vcc = 2.7V to 3.6V, Extended Range
- CMOS power levels (0.4μW typ. static)
- Rail-to-rail output swing for increased noise margin
- All inputs, outputs, and I/O are 5V tolerant
- Supports hot insertion
- Available in SOIC, SSOP, QSOP, and TSSOP packages

## DRIVE FEATURES:

- High Output Drivers: ±24mA
- Reduced system switching noise

## APPLICATIONS:

- 5V and 3.3V mixed voltage systems
- Data communication and telecommunication systems

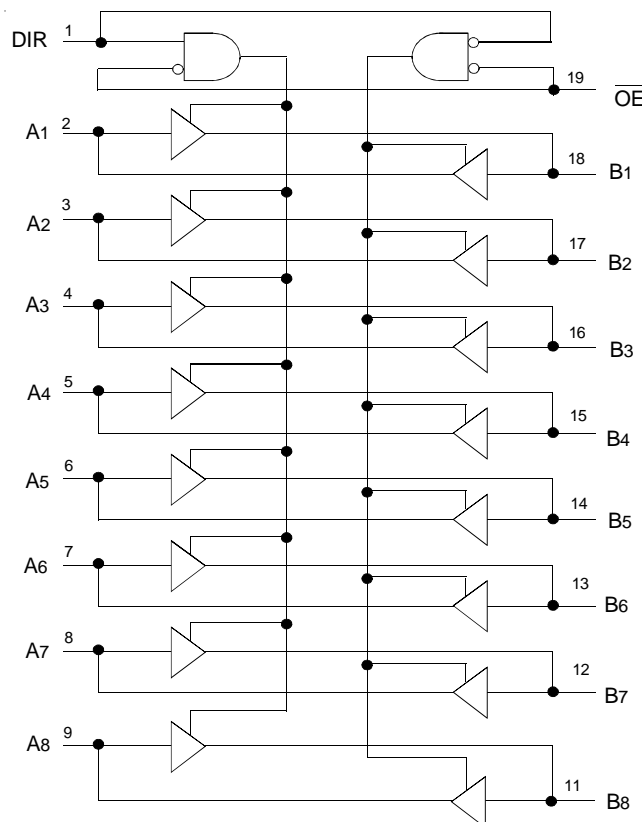
## DESCRIPTION:

This octal bus transceiver is built using advanced dual metal CMOS technology. This high-speed, low power transceiver is ideal for asynchronous communication between two busses (A and B). The direction control pin (DIR) controls the direction of data flow. The output enable pin ( $\overline{OE}$ ) overrides the direction control and disables both ports. All inputs are designed with hysteresis for improved noise margin.

The LVC245A has been designed with a ±24mA output driver. This driver is capable of driving a moderate to heavy load while maintaining speed performance.

All pins can be driven from either 3.3V or 5V devices. This feature allows the use of this device as a translator in a mixed 3.3V/5V supply system.

## FUNCTIONAL BLOCK DIAGRAM

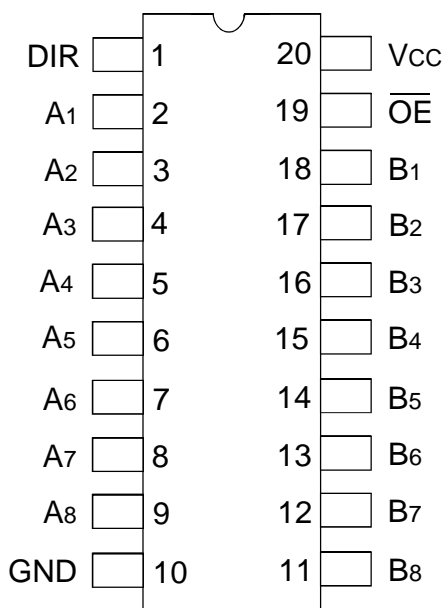


The IDT logo is a registered trademark of Integrated Device Technology, Inc.

INDUSTRIAL TEMPERATURE RANGE

APRIL 1999

## PIN CONFIGURATION



SOIC/ SSOP/ QSOP/ TSSOP  
TOP VIEW

## ABSOLUTE MAXIMUM RATINGS<sup>(1)</sup>

| Symbol                             | Description   | Max          | Unit |
|------------------------------------|---|--------------|------|
| VTERM                              | Terminal Voltage with Respect to GND                                  | -0.5 to +6.5 | V    |
| TSTG                               | Storage Temperature   | -65 to +150  | °C   |
| I <sub>OUT</sub>                   | DC Output Current   | -50 to +50   | mA   |
| I <sub>IK</sub><br>I <sub>OK</sub> | Continuous Clamp Current,<br>V <sub>I</sub> < 0 or V <sub>O</sub> < 0 | -50          | mA   |
| I <sub>CC</sub><br>I <sub>SS</sub> | Continuous Current through each<br>V <sub>CC</sub> or GND             | ±100         | mA   |

### NOTE:

1. Stresses greater than those listed under ABSOLUTE MAXIMUM RATINGS may cause permanent damage to the device. This is a stress rating only and functional operation of the device at these or any other conditions above those indicated in the operational sections of this specification is not implied. Exposure to absolute maximum rating conditions for extended periods may affect reliability.

## CAPACITANCE (T<sub>A</sub> = +25°C, F = 1.0MHz)

| Symbol           | Parameter <sup>(1)</sup> | Conditions            | Typ. | Max. | Unit |
|------------------|--------------------------|-----------------------|------|------|------|
| C <sub>IN</sub>  | Input Capacitance        | V <sub>IN</sub> = 0V  | 4.5  | 6    | pF   |
| C <sub>OUT</sub> | Output Capacitance       | V <sub>OUT</sub> = 0V | 5.5  | 8    | pF   |
| C <sub>I/O</sub> | I/O Port Capacitance     | V <sub>IN</sub> = 0V  | 6.5  | 8    | pF   |

### NOTE:

1. As applicable to the device type.

## PIN DESCRIPTION

| Pin Names       | Description                      |
|-----------------|----------------------------------|
| $\overline{OE}$ | Output Enable Input (Active LOW) |
| DIR             | Direction Control Input          |
| A x             | Side A Inputs or 3-State Outputs |
| B x             | Side B Inputs or 3-State Outputs |

## FUNCTION TABLE<sup>(1)</sup>

| Inputs          |     | Outputs             |
|-----------------|-----|---------------------|
| $\overline{OE}$ | DIR |                     |
| L               | L   | Bus B Data to Bus A |
| L               | H   | Bus A Data to Bus B |
| H               | X   | Z                   |

### NOTES:

1. H = HIGH Voltage Level  
X = Don't Care  
L = LOW Voltage Level  
Z = High-Impedance

## DC ELECTRICAL CHARACTERISTICS OVER OPERATING RANGE

Following Conditions Apply Unless Otherwise Specified:

Operating Condition:  $T_A = -40^{\circ}\text{C}$  to  $+85^{\circ}\text{C}$

| Symbol   | Parameter  | Test Conditions   |   | Min. | Typ. <sup>(1)</sup> | Max. | Unit |
|--|--|---|---|------|---------------------|------|------|
| V <sub>IH</sub>  | Input HIGH Voltage Level                               | V <sub>CC</sub> = 2.3V to 2.7V  |   | 1.7  | —                   | —    | V    |
|  |  | V <sub>CC</sub> = 2.7V to 3.6V  |   | 2    | —                   | —    |      |
| V <sub>IL</sub>  | Input LOW Voltage Level                                | V <sub>CC</sub> = 2.3V to 2.7V  |   | —    | —                   | 0.7  | V    |
|  |  | V <sub>CC</sub> = 2.7V to 3.6V  |   | —    | —                   | 0.8  |      |
| I <sub>IH</sub><br>I <sub>IL</sub>                       | Input Leakage Current                                  | V <sub>CC</sub> = 3.6V  | V <sub>I</sub> = 0 to 5.5V                  | —    | —                   | ±5   | μA   |
| I <sub>OZH</sub><br>I <sub>OZL</sub>                     | High Impedance Output Current<br>(3-State Output pins) | V <sub>CC</sub> = 3.6V  | V <sub>O</sub> = 0 to 5.5V                  | —    | —                   | ±10  | μA   |
| I <sub>OFF</sub>   | Input/Output Power Off Leakage                         | V <sub>CC</sub> = 0V, V <sub>IN</sub> or V <sub>O</sub> ≤ 5.5V              |   | —    | —                   | ±50  | μA   |
| V <sub>IK</sub>  | Clamp Diode Voltage                                    | V <sub>CC</sub> = 2.3V, I <sub>IN</sub> = -18mA                             |   | —    | -0.7                | -1.2 | V    |
| V <sub>H</sub>   | Input Hysteresis                                       | V <sub>CC</sub> = 3.3V  |   | —    | 100                 | —    | mV   |
| I <sub>CC1</sub><br>I <sub>CC2</sub><br>I <sub>CC3</sub> | Quiescent Power Supply Current                         | V <sub>CC</sub> = 3.6V  | V <sub>IN</sub> = GND or V <sub>CC</sub>    | —    | —                   | 10   | μA   |
|  |  |   | 3.6 ≤ V <sub>IN</sub> ≤ 5.5V <sup>(2)</sup> | —    | —                   | 10   |      |
| ΔI <sub>CC</sub>   | Quiescent Power Supply Current Variation               | One input at V <sub>CC</sub> - 0.6V, other inputs at V <sub>CC</sub> or GND |   | —    | —                   | 500  | μA   |

### NOTES:

1. Typical values are at V<sub>CC</sub> = 3.3V, +25°C ambient.
2. This applies in the disabled state only.

## OUTPUT DRIVE CHARACTERISTICS

| Symbol          | Parameter           | Test Conditions <sup>(1)</sup> |                          | Min.                  | Max. | Unit |
|-----------------|---------------------|--------------------------------|--------------------------|-----------------------|------|------|
| V <sub>OH</sub> | Output HIGH Voltage | V <sub>CC</sub> = 2.3V to 3.6V | I <sub>OH</sub> = -0.1mA | V <sub>CC</sub> - 0.2 | —    | V    |
|                 |                     | V <sub>CC</sub> = 2.3V         | I <sub>OH</sub> = -6mA   | 2                     | —    |      |
|                 |                     | V <sub>CC</sub> = 2.3V         | I <sub>OH</sub> = -12mA  | 1.7                   | —    |      |
|                 |                     | V <sub>CC</sub> = 2.7V         |                          | 2.2                   | —    |      |
|                 |                     | V <sub>CC</sub> = 3V           |                          | 2.4                   | —    |      |
|                 |                     | V <sub>CC</sub> = 3V           | I <sub>OH</sub> = -24mA  | 2.2                   | —    |      |
| V <sub>OL</sub> | Output LOW Voltage  | V <sub>CC</sub> = 2.3V to 3.6V | I <sub>OL</sub> = 0.1mA  | —                     | 0.2  | V    |
|                 |                     | V <sub>CC</sub> = 2.3V         | I <sub>OL</sub> = 6mA    | —                     | 0.4  |      |
|                 |                     |                                | I <sub>OL</sub> = 12mA   | —                     | 0.7  |      |
|                 |                     | V <sub>CC</sub> = 2.7V         | I <sub>OL</sub> = 12mA   | —                     | 0.4  |      |
|                 |                     | V <sub>CC</sub> = 3V           | I <sub>OL</sub> = 24mA   | —                     | 0.55 |      |

### NOTE:

1. V<sub>IH</sub> and V<sub>IL</sub> must be within the min. or max. range shown in the DC ELECTRICAL CHARACTERISTICS OVER OPERATING RANGE table for the appropriate V<sub>CC</sub> range. T<sub>A</sub> = -40°C to +85°C.

OPERATING CHARACTERISTICS,  $V_{CC} = 3.3V \pm 0.3V$ ,  $T_A = 25^\circ C$

| Symbol | Parameter  | Test Conditions           | Typical | Unit |
|--------|--|---------------------------|---------|------|
| CPD    | Power Dissipation Capacitance per Transceiver Outputs enabled  | $C_L = 0pF$ , $f = 10MHz$ | 47      | pF   |
| CPD    | Power Dissipation Capacitance per Transceiver Outputs disabled |                           | 2       |      |

SWITCHING CHARACTERISTICS<sup>(1)</sup>

| Symbol             | Parameter                   | $V_{CC} = 2.7V$ |      | $V_{CC} = 3.3V \pm 0.3V$ |      | Unit |
|--------------------|-----------------------------|-----------------|------|--------------------------|------|------|
|                    |                             | Min.            | Max. | Min.                     | Max. |      |
| t <sub>PLH</sub>   | Propagation Delay           | —               | 7.3  | 1.5                      | 6.3  | ns   |
| t <sub>PHL</sub>   | Ax to Bx, Bx to Ax          |                 |      |                          |      |      |
| t <sub>PZH</sub>   | Output Enable Time          | —               | 9.5  | 1.5                      | 8.5  | ns   |
| t <sub>PZL</sub>   | $\overline{OE}$ to Ax or Bx |                 |      |                          |      |      |
| t <sub>PHZ</sub>   | Output Disable Time         | —               | 8.5  | 1.7                      | 7.5  | ns   |
| t <sub>PLZ</sub>   | $\overline{OE}$ to Ax or Bx |                 |      |                          |      |      |
| t <sub>SK(0)</sub> | Output Skew <sup>(2)</sup>  | —               | —    | —                        | 1    | ns   |

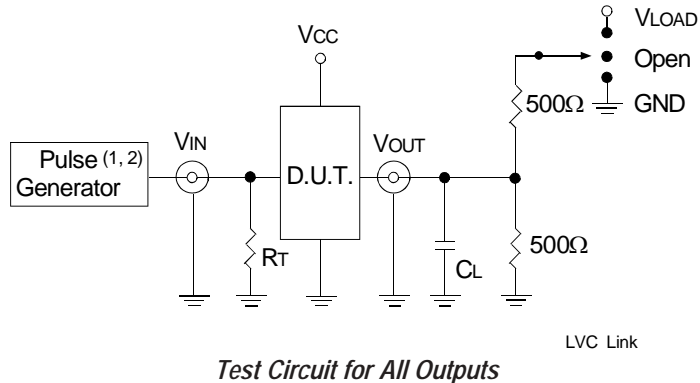
NOTES:

1. See TEST CIRCUITS AND WAVEFORMS.  $T_A = -40^\circ C$  to  $+85^\circ C$ .
2. Skew between any two outputs of the same package and switching in the same direction.

## TEST CIRCUITS AND WAVEFORMS

### TEST CONDITIONS

| Symbol            | V <sub>CC</sub> <sup>(1)</sup> = 3.3V ± 0.3V | V <sub>CC</sub> <sup>(1)</sup> = 2.7V | V <sub>CC</sub> <sup>(2)</sup> = 2.5V ± 0.2V | Unit |
|-------------------|--|---------------------------------------|--|------|
| V <sub>LOAD</sub> | 6  | 6                                     | 2 x V <sub>CC</sub>                          | V    |
| V <sub>IH</sub>   | 2.7  | 2.7                                   | V <sub>CC</sub>                              | V    |
| V <sub>T</sub>    | 1.5  | 1.5                                   | V <sub>CC</sub> / 2                          | V    |
| V <sub>LZ</sub>   | 300  | 300                                   | 150  | mV   |
| V <sub>HZ</sub>   | 300  | 300                                   | 150  | mV   |
| C <sub>L</sub>    | 50   | 50                                    | 30   | pF   |



#### DEFINITIONS:

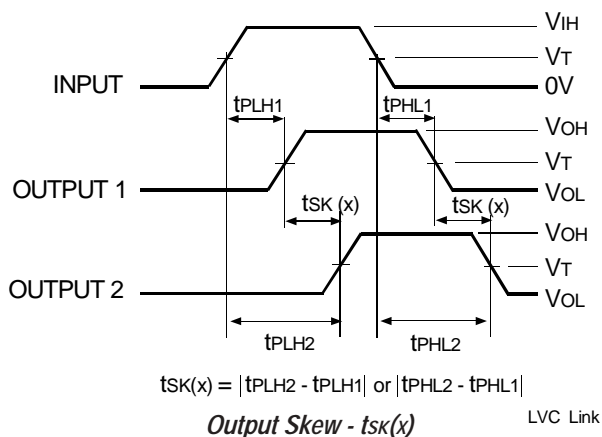
C<sub>L</sub> = Load capacitance: includes jig and probe capacitance.  
R<sub>T</sub> = Termination resistance: should be equal to Z<sub>OUT</sub> of the Pulse Generator.

#### NOTES:

1. Pulse Generator for All Pulses: Rate ≤ 10MHz; t<sub>r</sub> ≤ 2.5ns; t<sub>r</sub> ≤ 2.5ns.
2. Pulse Generator for All Pulses: Rate ≤ 10MHz; t<sub>r</sub> ≤ 2ns; t<sub>r</sub> ≤ 2ns.

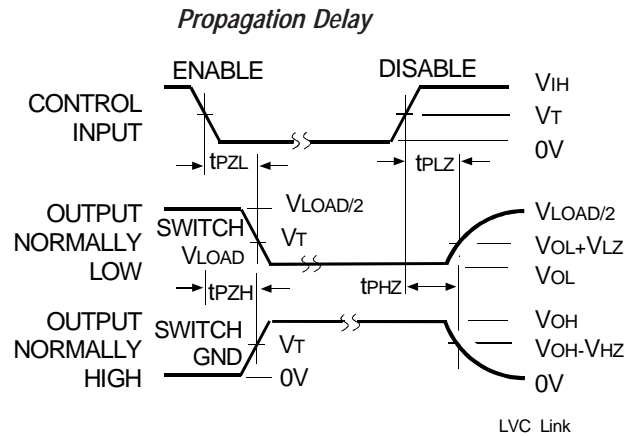
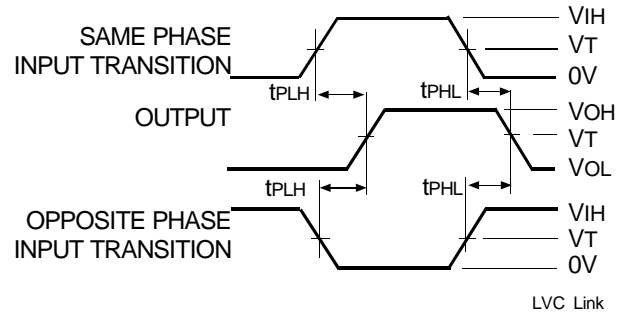
### SWITCH POSITION

| Test                                    | Switch            |
|---|-------------------|
| Open Drain<br>Disable Low<br>Enable Low | V <sub>LOAD</sub> |
| Disable High<br>Enable High             | GND               |
| All Other Tests                         | Open              |



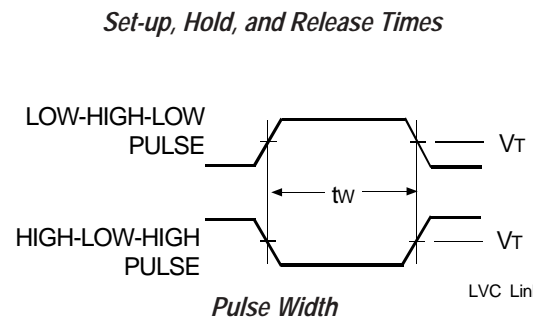
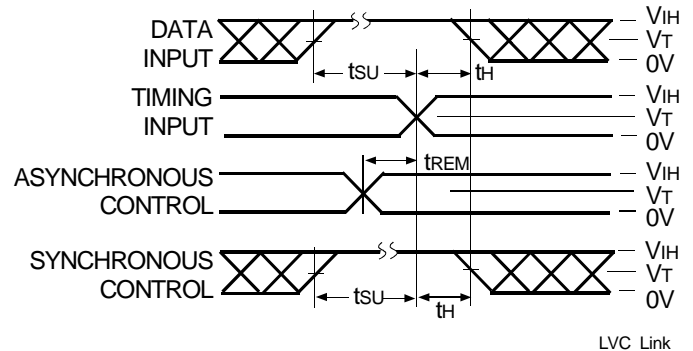
#### NOTES:

1. For t<sub>sk</sub>(a) OUTPUT1 and OUTPUT2 are any two outputs.
2. For t<sub>sk</sub>(b) OUTPUT1 and OUTPUT2 are in the same bank.

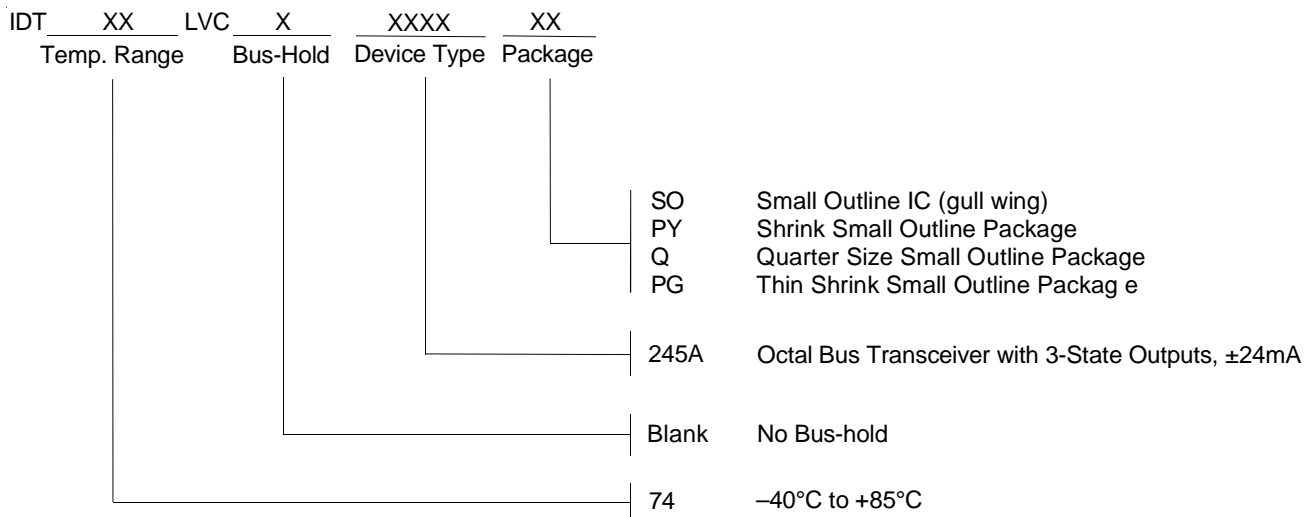


#### NOTE:

1. Diagram shown for input Control Enable-LOW and input Control Disable-HIGH.



**ORDERING INFORMATION**



**CORPORATE HEADQUARTERS**  
 2975 Stender Way  
 Santa Clara, CA 95054

**for SALES:**  
 800-345-7015 or 408-727-6116  
 fax: 408-492-8674  
 www.idt.com

**for Tech Support:**  
 logichelp@idt.com  
 (408) 654-6459