

PRELIMINARY

Notice: This is not a final specification.
Some parametric limits are subject to change.

MITSUBISHI SOUND PROCESSOR ICs

M65824FP

SIGNAL PROCESSOR FOR CD PLAYER WITH BUILT-IN D/A

DESCRIPTION

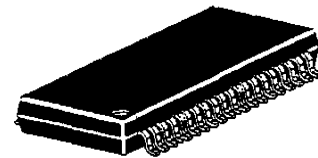
The M65824FP is a CMOS IC for playback of a compact disk (CD-DA).

It is equipped with memory, non-adjustment PLL, 4fs digital filter and D-A converter.

The M65824FP can configure a compact CD-DA system.

FEATURES

- Non-adjustment EFM-PLL with wide lock-range (built-in VCO)
- Jitter margin ± 8 frames
- Operable CLV servo command
- Attenuation (-12 dB)
- Built-in 4fs digital filter
- Built-in digital de-emphasis circuit
- Built-in D-A converter
- Compact set by the adoption of a compact package
- Built-in analog LPF
- External D-A mode



RECOMMENDED OPERATING CONDITIONS

Supply voltage range (interface)..... $DV_{DD} = 2.7$ to $5.5V$

Supply voltage range (internal circuit, analog)

..... $DS_{PS}, AV_{DD} = 2.7$ to $3.3V$

Rated supply voltage (interface)..... $DV_{DD} = 5.0V$

Rated supply voltage (internal circuit, analog)

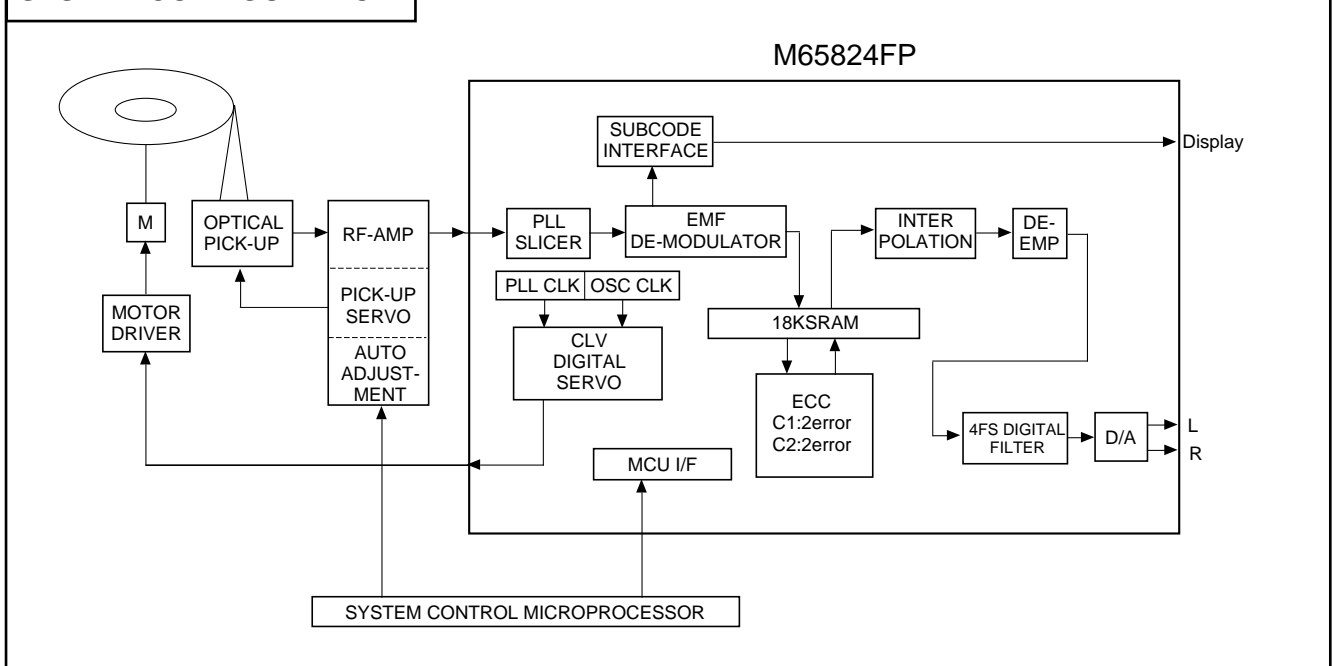
..... $DS_{PS}, AV_{DD} = 3.0V$

Rated power consumption..... 100 mW

Outline 42P2R-A

0.8mm pitch 450mil SSOP
(8.4mm x 17.5mm x 2.0mm)

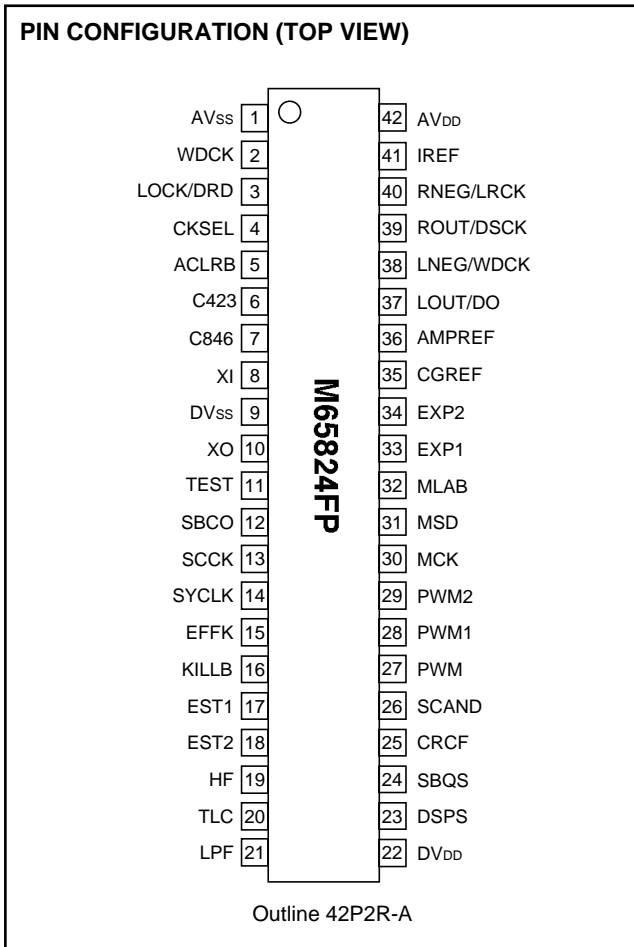
SYSTEM CONFIGURATION



PRELIMINARY

Notice: This is not a final specification.
Some parametric limits are subject to change.

SIGNAL PROCESSOR FOR CD PLAYER WITH BUILT-IN D/A



BUILT-IN FUNCTIONS

- D/A converter
 - 64fs 1 bit D-A converter
 - S/N:74dB (typ.)
- Memory
 - Built-in 18K SRAM
 - Jitter margin ± 8 frames
- PLL block
 - Built-in non-adjustment VCO (Bit clock reproduction)
 - Non-adjustment slice level control
- EFM demodulator
 - EFM modulation
 - Frame sync detection/protection and insertion
 - Frame monitor output
- Subcode modulator
 - Modulation of subcodes P to W. serial output (conforming to EISA CP-309)
 - Subcode Q register
 - CRC check
 - Subcode sync signal output (S0/S1)
- CIRC block
 - Emphasis detection, built-in de-emphasis control
 - C1: double correction, C2: double correction
 - Unscramble
 - De-interleave
- Interpolation processing unit
 - Error monitor output
 - Average value interpolation and pre-value hold
 - Mute control
- D-A interface
 - Mute control
- Digital filter
 - Quadruple over sampling IIR type filter
- De-emphasis block
 - Bi-primary IIR filter
 - Emphasis detection/automatic operation
- CLV servo block
 - PWM output
 - Reduced disk rotation detection output
- Microcomputer I/F block
 - CLV servo control command
 - Mute control
 - 12 dB attenuation
 - Subcode Q register interface

PRELIMINARY

Notice: This is not a final specification.
Some parametric limits are subject to change.

SIGNAL PROCESSOR FOR CD PLAYER WITH BUILT-IN D/A

PIN DESCRIPTION

Pin No.	Symbol	I/O	Function
①	AVss	-	Analog system GND
②	WDCK	O	Word clock output: f=88.2kHz
③	LOCK/DRD	O	Sync status/reduced disk rotation detection output
④	CKSEL	I	System clock select input, "L": 8.4672 MHz/"H": 16.9344 MHz
⑤	ACLRB	I	System reset input: reset="L"
⑥	C423	O	Crystal system 4.2336 MHz clock output
⑦	C846	O	Crystal system 8.4672 MHz clock output
⑧	XI	I	Crystal oscillator input (built-in feedback resistance) CKSEL="L": 8.4672MHz/CKSEL="H": 16.9344MHz
⑨	DVss	-	Digital system GND
⑩	XO	O	Crystal oscillator output
⑪	TEST	I	Shipment test pin: For test="H"
⑫	SBCO	O	Subcode serial output
⑬	SCCK	I	Subcode read clock input
⑭	SYCLK	O	Frame sync output: Lock="H"
⑮	EFFK	O	PLL system frame clock output: duty=50%
⑯	KILLB	O	Digital silence output: Silence="L" open drain output
⑰	EST1	O	Error status output 1: at C1 error detection="H"
⑱	EST2	O	Error status output 2: at C2 error detection="H"
⑲	HF	I	Playback signal input
⑳	TLC	O	Slice level control output
㉑	LPF	I/O	PLL loop filter connection terminal
㉒	DVDD	-	Power supply to I/O block
㉓	DSPS	-	Power supply to internal logic circuit
㉔	SBQS	O	Subcode Q register read interrupt signal: Read enable: "L"
㉕	CRCF	O	CRC result of subcode Q: CRC OK="H"
㉖	SCAND	O	Subcode sync signal output: Synchronization="H"
㉗	PWM	O	Disk motor drive PWM output (both sides)
㉘	PWM1	O	Disk motor drive PWM output 1 (acceleration side)
㉙	PWM2	O	Disk motor drive PWM output 2 (deceleration side)
㉚	MCK	I	Microcomputer I/F shift lock
㉛	MSD	I/O	Microcomputer I/F serial data I/O
㉜	MLAB	I	Microcomputer I/F latch clock (built-in 22k pull-up resistance)
㉝	EXP1	I	Additional microcomputer input port 1 (built-in 4.7k pull-up resistance)
㉞	EXP2	I	Additional microcomputer input port 2 (built-in 4.7k pull-up resistance)
㉟	CGREF	I	Current source reference current input pin for LPF
㊱	AMPREF	I	Operation amplifier reference voltage setting pin for LPF
㊲	LOUT/DO	O	L-ch audio signal output/serial data output (in external D-A mode)
㊳	LNEG/WDCK	O	L-ch current source output/word clock output (in external D-A mode)
㊴	ROUT/DSCK	O	R-ch audio signal output/data shift clock output (in external D-A mode)
㊵	RNEG/LRCK	O	R-ch current source output/L-R clock output (in external D/A mode)
㊶	IREF	I	Detection/PLL circuit reference current input
㊷	AVDD	-	Analog system power supply

PRELIMINARY

Notice: This is not a final specification.
Some parametric limits are subject to change.

SIGNAL PROCESSOR FOR CD PLAYER WITH BUILT-IN D/A

ABSOLUTE MAXIMUM RATINGS (Ta=25°C, unless otherwise noted)

Symbol	Parameter	Ratings	Unit
DV _{DD} -DV _{SS}	Supply voltage (I/O)	-0.3 to +6.5	V
AV _{DD} -AV _{SS}	Supply voltage (analog)	-0.3 to +3.6	V
DSPS-DV _{SS}	Supply voltage (internal circuit)	-0.3 to +3.6	V
V _i	Input voltage	DV _{DD} -0.3 V _i DV _{DD} +0.3	V
V _o	Output voltage	DV _{SS} V _o DV _{DD}	V
P _d	Power dissipation	350	mW
T _{opr}	Operating temperature	-10 to +70	°C
T _{stg}	Storage temperature	-40 to +125	°C

RECOMMENDED OPERATING CONDITIONS

Symbol	Parameter	Test conditions	Limits			Unit
			Min.	Typ.	Max.	
DV _{DD}	Supply voltage (I/O)		2.7	5.0	5.5	V
AV _{DD}	Supply voltage (analog)		2.7	3.0	3.3	V
DSPS	Supply voltage (internal circuit)		2.7	3.0	3.3	V
V _{IH}	Input voltage ("H" level)		DV _{DD} *0.7	-	DV _{DD}	V
V _{OL}	Output voltage ("L" level)		DV _{SS}	-	DV _{SS} *0.3	V
f _{osc}	Oscillation frequency		-	8.4672	-	MHz
f _{co}	Oscillation frequency		-	8.6436	-	MHz

ELECTRICAL CHARACTERISTICS (Ta=25°C, V_{DD}=5V, unless otherwise noted)

Symbol	Parameter	Test conditions	Limits			Unit
			Min.	Typ.	Max.	
I _{DD}	Circuit current	f _{osc} =8.4672MHz f _{co} =8.6436MHz	-	20	-	mA
V _{OH}	Output voltage ("H" level)	DV _{DD} =5.0V I _{OH} =-1.0mA	4.5	-	-	V
V _{OL}	Output voltage ("L" level)	DV _{DD} =5.0V I _{OL} =1.0mA	-	-	0.4	V
I _{IH}	Input voltage ("H" level)	V _{IH} =4.5	-	-	2	μA
I _{IL}	Input voltage ("L" level)	V _{IL} =0.5V	-2	-	-	μA

POWER SUPPLY

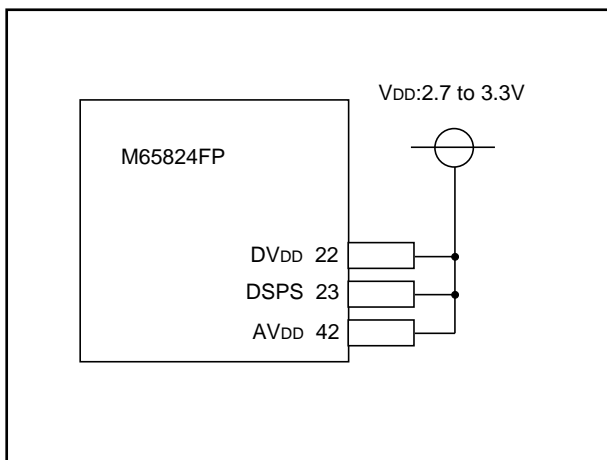


Fig.1 3.0V system application example (supply voltage range of 2.7V to 3.3V)

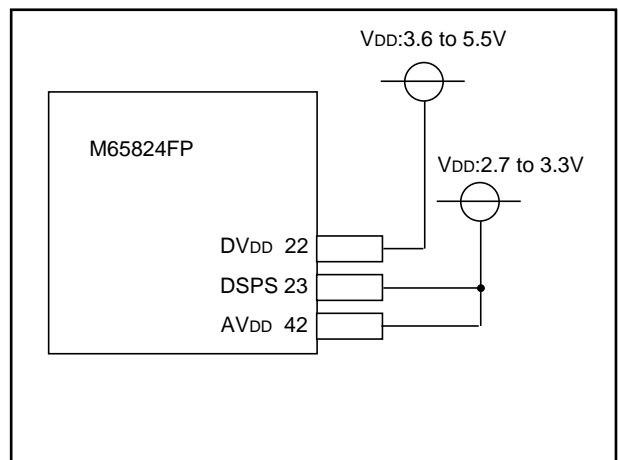


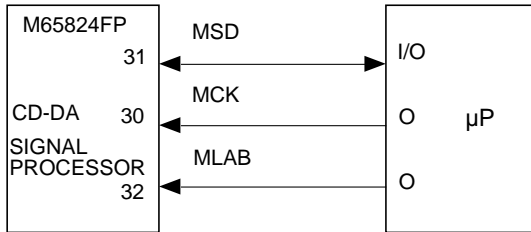
Fig.2 5.0V system application example (two power supplies are required)

SIGNAL PROCESSOR FOR CD PLAYER WITH BUILT-IN D/A

FUNCTION DESCRIPTION

1. MICROCOMPUTER INTERFACE

(1) Pin assignments



(2) Description

MLAB: Latch signal/data I/O switching signal

(MLAB="H": Write from μP)

(MLAB="L": Read from μP)

MCK: Clock signal

MSD: Serial data I/O

(3) Operation description

• Microcomputer command read/write

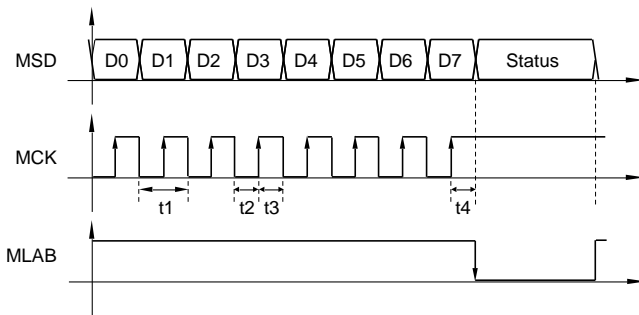
Data (MSD) is read at a rising edge of the clock pulse (MCK).
When a command is determined at a falling edge of the latch line (MLAB), the data line (MSD) is concurrently switched to the output mode to output a status requested by data bits D3, D2, D1 and D0. When the latch line is set to "H", the data line is returned to the input mode again.

• Status request/interface command

When requesting various types of the M65824FP status, a microcomputer writes data in D3, D2, D1 and D0 for indicating the requested status in advance.

After this command is latched, the status is continuously output while the latch line (MLAB) is set to "L".

(4) Microcomputer I/F timing chart



Symbol	Parameter	Min.	Unit
t1	Shift clock width	200	nsec
t2	Shift clock setup	100	nsec
t3	Shift clock hold	100	nsec
t4	Shift clock setup	100	nsec

(5) M65824FP command list

Initial value after power is turned on: 00000000

D7	D6	D5	D4	D3	D2	D1	D0
Disk motor		Audio function		Status/interface command			

PRELIMINARY

Notice: This is not a final specification.
Some parametric limits are subject to change.

SIGNAL PROCESSOR FOR CD PLAYER WITH BUILT-IN D/A

(6) Detailed data

① Disk motor control

D7	D6	Function
0	0	Disk motor off
0	1	Accelerates the disk motor. Applies the maximum acceleration voltage to the motor.
1	0	Decelerates the disk motor. Applies the maximum deceleration voltage to the motor.
1	1	Disk motor CLV control

② Audio functions

D5	D4	Function
0	0	Muting
0	1	Muting release
1	0	Reserved
1	1	12 dB attenuation

③ Status/interface command

D3	D2	D1	D0	Function
0	0	0	0	Detects reduced disk rotating speed. "L" when the disk rotating speed is 2/3 or more of the normal speed.
0	0	0	1	PLL lock status. "L" at locked.
0	0	1	0	Subcode read status. "L" when new subcode is received
0	0	1	1	External D-A mode (In case of input after reset)
0	1	0	0	Logical value of EXP1 (pin ③③)
0	1	0	1	Logical value of EXP2 (pin ③④)
0	1	1	0	Reserved
0	1	1	1	Reserved
1	0	0	0	PLL loop close (= HFD: "L")
1	0	0	1	PLL loop open (= HFD: "H")
1	0	1	0	Reserved
1	0	1	1	Reserved
1	1	0	0	Reserved
1	1	0	1	Reserved
1	1	1	0	Reserved
1	1	1	1	Reserved

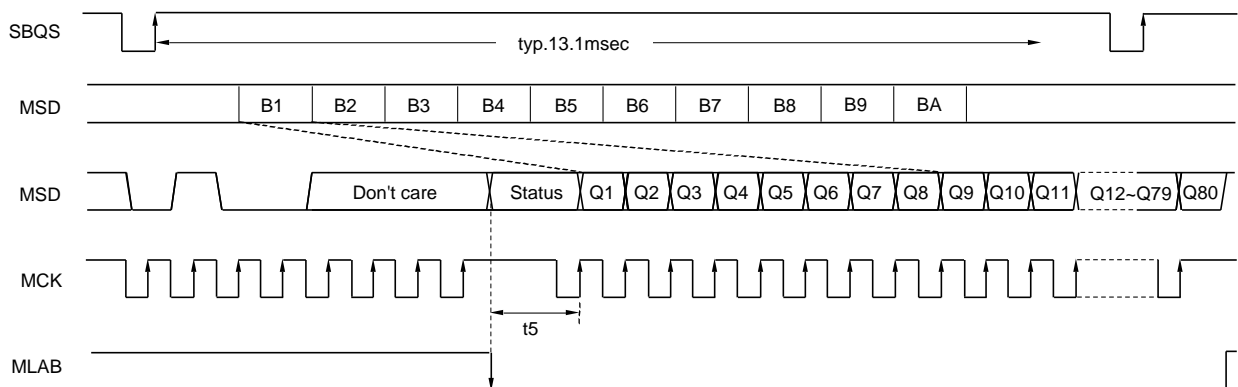
(7) Subcode Q register interface

Data of subcode Q is stored in the internal 80-bit register and can be read using a microcomputer.

Subcode ready status command is written to read subcode Q using a microcomputer. (MSD DATA 0100xxxx)

When the subcode ready status is set to "L", a clock is sent with the latch line (MLAB) kept set to "L" to read the data of subcode Q from the internal register.

Read all subcode Q data from the rising edge of SBQS until the next rising edge (for approximately 13.1 msec).



t5: Mode setup time (min. 200 nsec)

•SBQS is set to "L" when both the following two conditions are satisfied at the same time.

- (a) CRC check OK
- (b) When the two subcode syncs (S0, S1) are normal

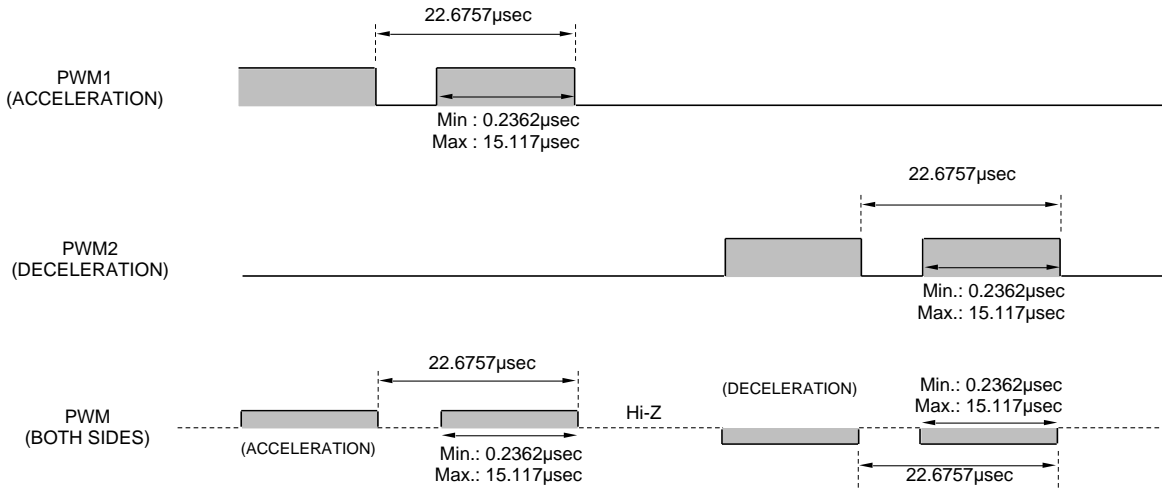
•A microcomputer can read information on subcode Q using the M65824FP only when SBQS is set to "L".

PRELIMINARY

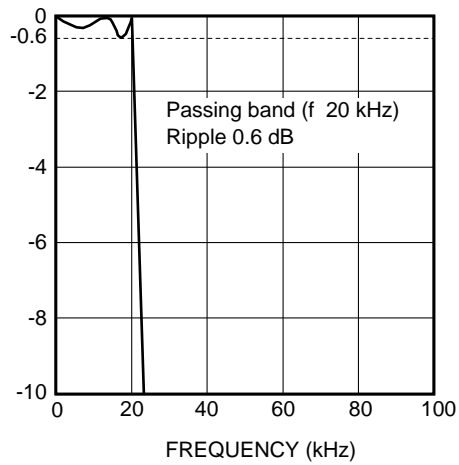
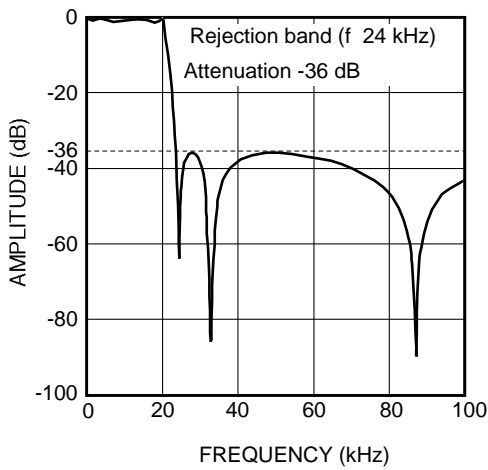
Notice: This is not a final specification.
Some parametric limits are subject to change.

SIGNAL PROCESSOR FOR CD PLAYER WITH BUILT-IN D/A

2. DISK MOTOR CONTROL PULSE (CLV mode)



3. DIGITAL FILTER



PRELIMINARY

Notice: This is not a final specification.
Some parametric limits are subject to change.

SIGNAL PROCESSOR FOR CD PLAYER WITH BUILT-IN D/A

APPLICATION EXAMPLE

