

## HIGH SPEED DUAL COMPARATORS

- TWO INDEPENDENT COMPARATORS
- OPERATES FROM A SINGLE +5V SUPPLY
- TYPICALLY 80ns RESPONSE TIME AT  $\pm 15V$
- MINIMUM FAN-OUT OF 2 EACH SIDE
- MAXIMUM INPUT CURRENT OF  $1\mu A$  OVER OPERATING TEMPERATURE RANGE
- INPUTS AND OUTPUTS CAN BE ISOLATED FROM SYSTEM GROUND
- HIGH COMMON-MODE SLEW RATE

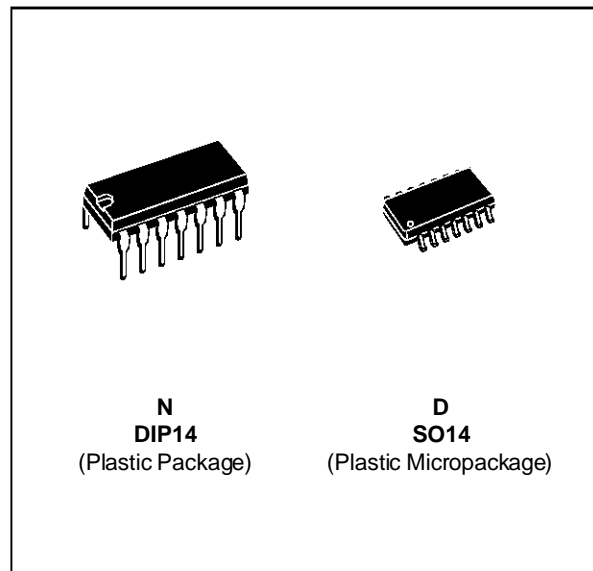
### DESCRIPTION

These products are precision high speed dual comparators designed to operate over a wide range of supply voltages down to a single 5V logic supply and ground and have low input currents and high gains.

The open collector of the output stage makes compatible with TTL as well as capable of driving lamps and relays at currents up to 25mA.

Although designed primarily for applications requiring operation from digital logic supplies, are fully specified for power supplies up to  $\pm 15V$ .

They feature faster response than the LM111 at the expense of higher power dissipation. However, the high speed, wide operating voltage range and low package count make the much more versatile.

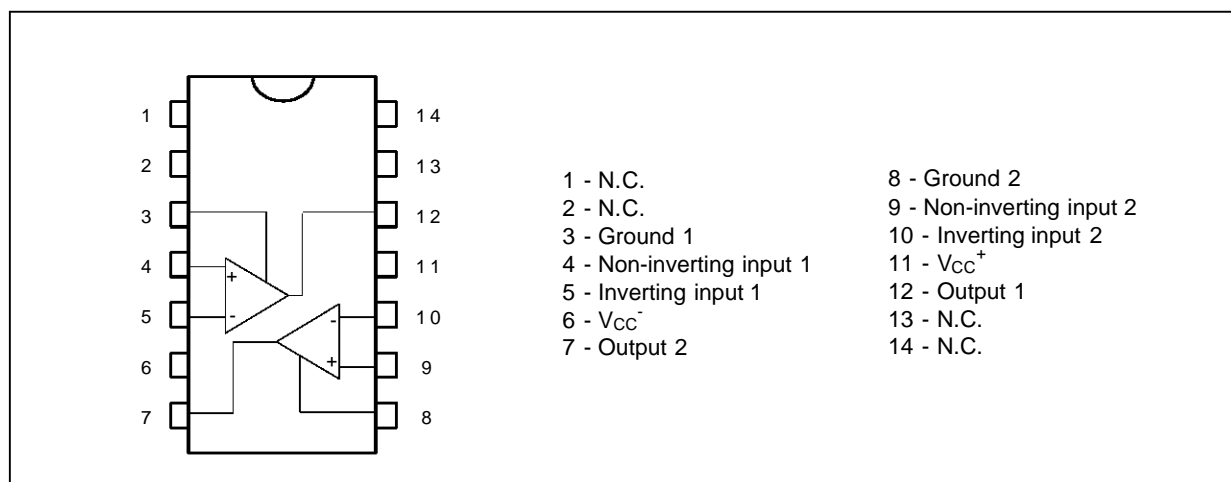


### ORDER CODES

| Part Number | Temperature Range | Package |   |
|-------------|-------------------|---------|---|
|             |                   | N       | D |
| LM119       | -55, +125°C       | •       | • |
| LM219       | -40, +105°C       | •       | • |
| LM319       | 0, +70°C          | •       | • |

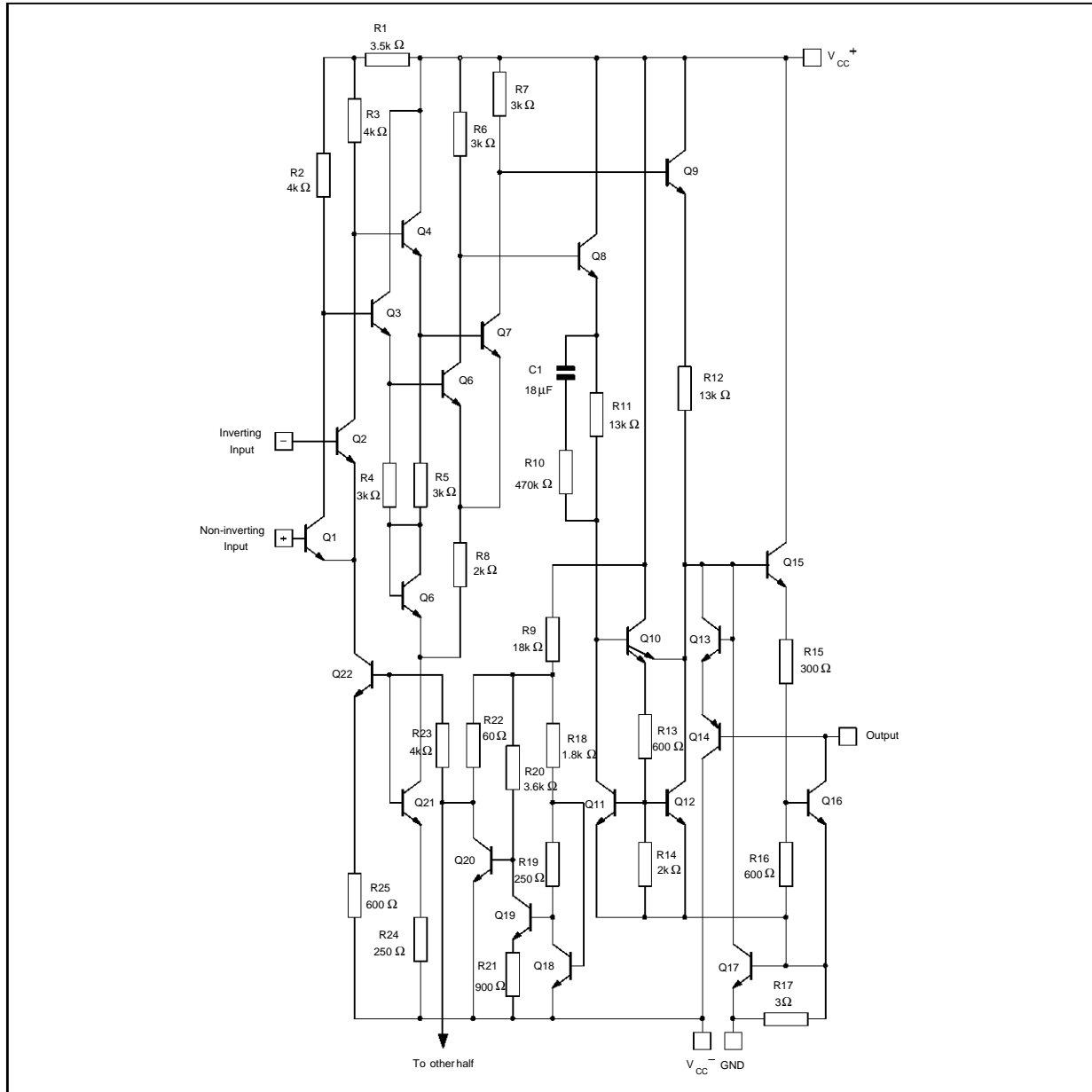
Example : LM219N

### PIN CONNECTIONS (top view)



# LM119 - LM219 - LM319

## SCHEMATIC DIAGRAM



## ABSOLUTE MAXIMUM RATINGS

| Symbol           | Parameter                            | LM119       | LM219       | LM319       | Unit |
|------------------|--------------------------------------|-------------|-------------|-------------|------|
| $V_O - V_{CC}^-$ | Output to Negative Supply Voltage    | 36          | 36          | 36          | V    |
| $V_{CC}^-$       | Negative Supply Voltage              | 25          | 25          | 25          | V    |
| $V_{CC}^+$       | Positive Supply Voltage              | 18          | 18          | 18          | V    |
| $V_{id}$         | Differential Input Voltage           | $\pm 5$     | $\pm 5$     | $\pm 5$     | V    |
| $V_i$            | Input Voltage – (note 1)             | $\pm 15$    | $\pm 15$    | $\pm 15$    | V    |
| $P_{tot}$        | Power Dissipation                    | 500         | 500         | 500         | mW   |
| $T_{oper}$       | Operating Free-air Temperature Range | -55 to +125 | -40 to +105 | 0 to +70    | °C   |
| $T_{stg}$        | Storage Temperature Range            | -65 to +150 | -65 to +150 | -65 to +150 | °C   |

**ELECTRICAL CHARACTERISTICS**

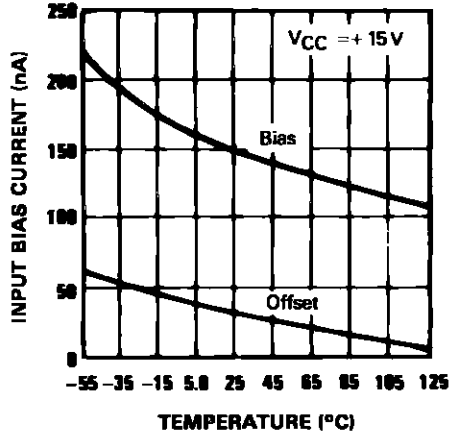
$V_{CC} = \pm 15V$ ,  $T_{amb} = 25^{\circ}C$  (unless otherwise specified)

| Symbol       | Parameter  | LM119 - LM219 |              |             | LM319         |             |              | Unit    |
|--------------|--|---------------|--------------|-------------|---------------|-------------|--------------|---------|
|              |  | Min.          | Typ.         | Max.        | Min.          | Typ.        | Max.         |         |
| $V_{io}$     | Input Offset Voltage ( $R_S \leq 5k\Omega$ ) – (note 2)<br>$T_{amb} = +25^{\circ}C$<br>$T_{min.} \leq T_{amb} \leq T_{max.}$   |               | 0.7          | 4<br>7      |               | 2           | 8<br>10      | mV      |
| $I_{io}$     | Input Offset Current – (note 2)<br>$T_{amb} = +25^{\circ}C$<br>$T_{min.} \leq T_{amb} \leq T_{max.}$   |               | 30           | 75<br>100   |               | 80          | 200<br>300   | nA      |
| $I_{ib}$     | Input Bias Current – (note 2)<br>$T_{amb} = +25^{\circ}C$<br>$T_{min.} \leq T_{amb} \leq T_{max.}$   |               | 150          | 500<br>1000 |               | 250         | 1000<br>1200 | nA      |
| $A_{vd}$     | Large Signal Voltage Gain  | 10            | 40           |             | 8             | 40          |              | V/mV    |
| $I_{CC}^{+}$ | Positive Supply Current<br>$V_{CC} = \pm 15V$<br>$V_{CC}^{+} = +5V, V_{CC}^{-} = 0V$   |               | 8<br>4.3     | 11.5        |               | 8<br>4.3    | 12.5         | mA      |
| $I_{CC}^{-}$ | Negative Supply Current  |               | 3            | 4.5         |               | 3           | 5            | mA      |
| $V_{icm}$    | Input Common Mode Voltage Range<br>$V_{CC} = \pm 15V$<br>$V_{CC}^{+} = +5V, V_{CC}^{-} = 0V$   | $\pm 12$<br>1 | $\pm 13$     | 3           | $\pm 12$<br>1 | $\pm 13$    | 3            | V       |
| $V_{id}$     | Differential Input Voltage   |               |              | $\pm 5$     |               |             | $\pm 5$      | V       |
| $V_{OL}$     | Low Level Output Voltage<br>$T_{amb} = +25^{\circ}C, I_O = 25mA$<br>$V_i \leq -5mV$<br>$V_i \leq -10mV$<br>$T_{min.} \leq T_{amb} \leq T_{max.}$<br>$V_{CC}^{+} \geq +4.5V, V_{CC}^{-} = 0V, I_{O(sink)} < 3.2mA$<br>$V_i \leq -6mV$<br>$V_i \leq -10mV$ |               | 0.75<br>0.23 | 1.5<br>0.4  |               | 0.75<br>0.3 | 1.5<br>0.4   | V       |
| $I_{OH}$     | High Level Output Current ( $V_O = +35V$ )<br>$T_{amb} = +25^{\circ}C$<br>$V_i \geq 5mV$<br>$V_i \geq 10mV$<br>$T_{min.} \leq T_{amb} \leq T_{max.}$<br>$V_i \geq 5mV$   |               | 0.2<br>1     | 2<br>10     |               | 0.2         | 10           | $\mu A$ |
| $t_{re}$     | Response Time – (note 3)   |               | 80           |             |               | 80          |              | ns      |

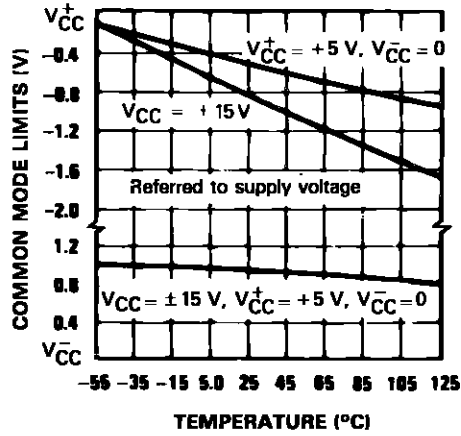
- Notes :**
- For supply voltages less than  $\pm 15V$  the absolute maximum input voltage is equal to the supply voltage.
  - These specifications apply for  $V_{CC} = \pm 15V$ , unless otherwise stated. The offset voltage, offset current and bias current specifications apply for any supply voltage from a single +5V supply up to  $\pm 15V$  supplies. The offset voltages and offset current given are the maximum values required to drive the output down to 1V or up to +14V with a 1mA load current. Thus, these parameters define an error band and take into account the worst case effects of voltage gain and input impedance.
  - The response time specified is for a 100mV input step with 5mV overdrive.

LM119-LM219

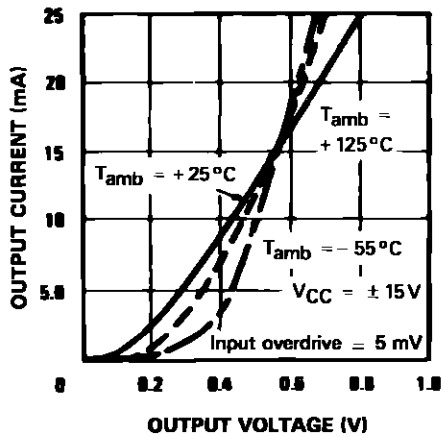
INPUT BIAS CURRENTS



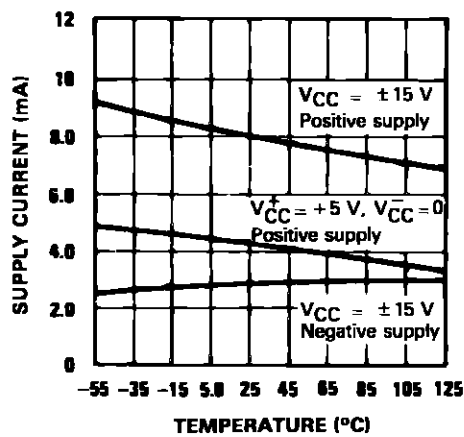
COMMON MODE LIMITS



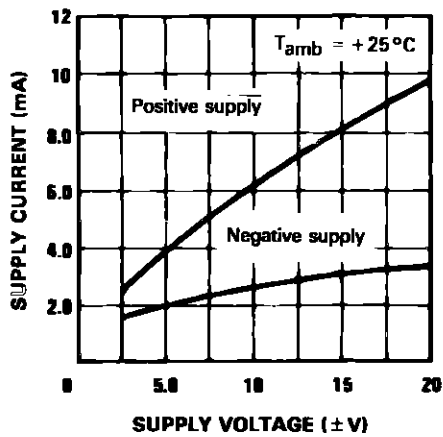
OUTPUT SATURATION VOLTAGE



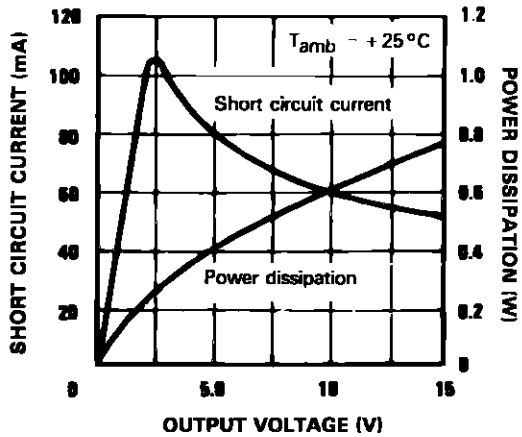
SUPPLY CURRENT



SUPPLY CURRENT

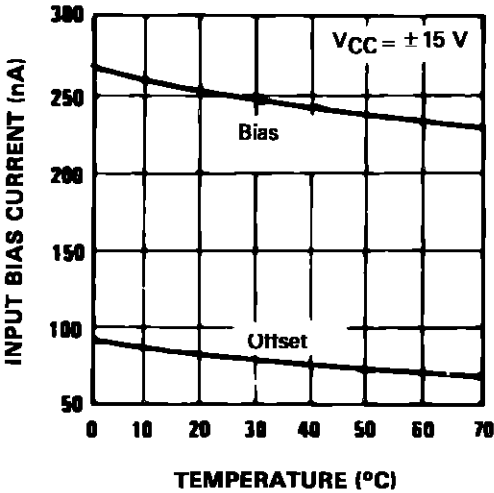


OUTPUT LIMITING CHARACTERISTICS

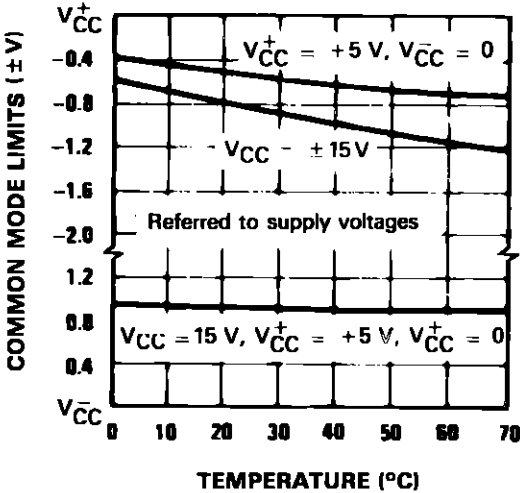


LM319

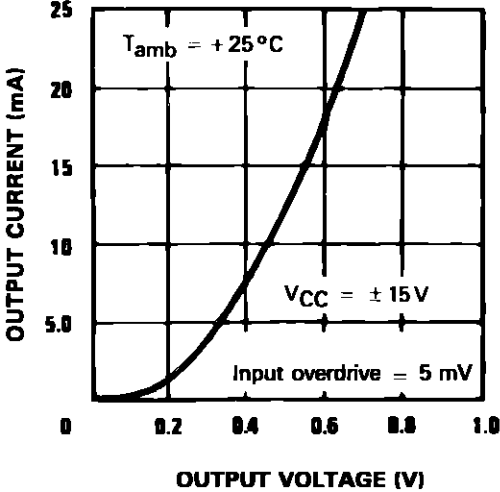
INPUT BIAS CURRENTS



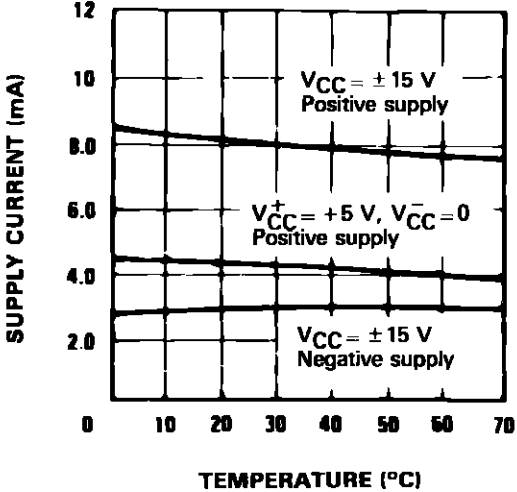
COMMON MODE LIMITS



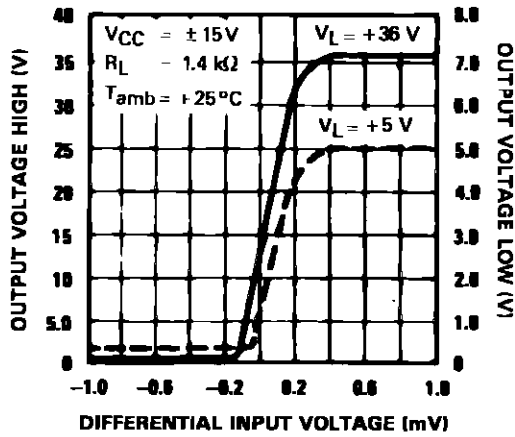
OUTPUT SATURATION VOLTAGE



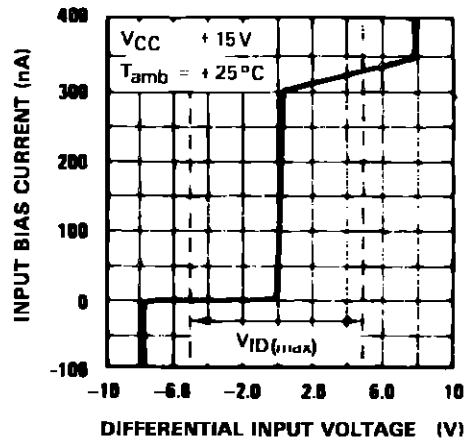
SUPPLY CURRENT



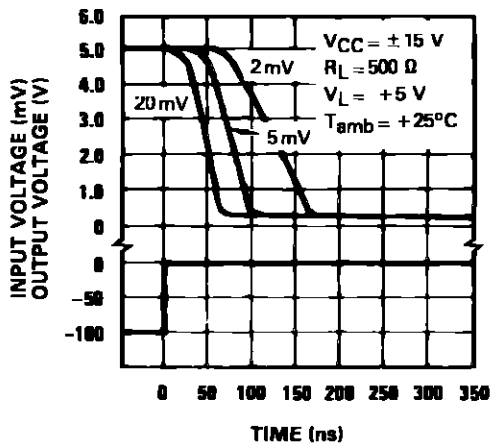
TRANSFER FUNCTION



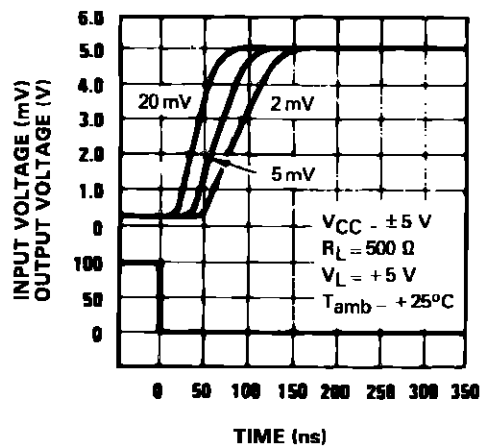
INPUT CHARACTERISTICS



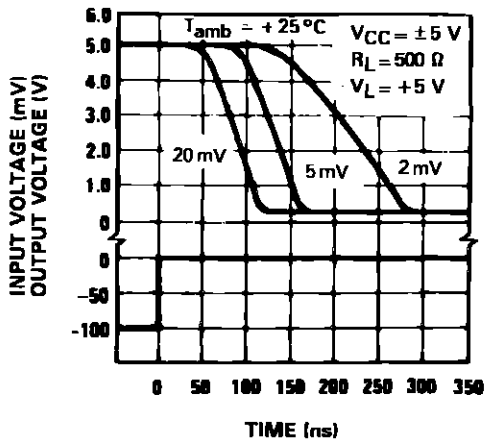
RESPONSE TIME FOR VARIOUS INPUT OVERDRIVES



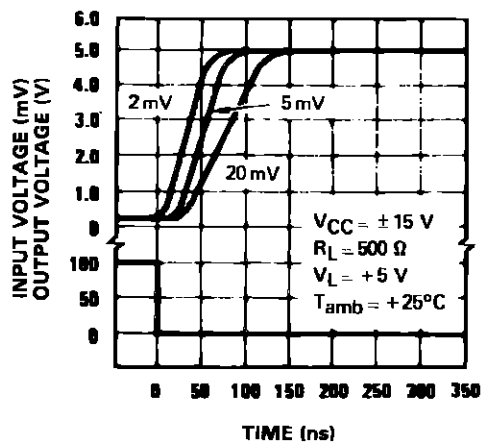
RESPONSE TIME FOR VARIOUS INPUT OVERDRIVES



RESPONSE TIME FOR VARIOUS INPUT OVERDRIVES

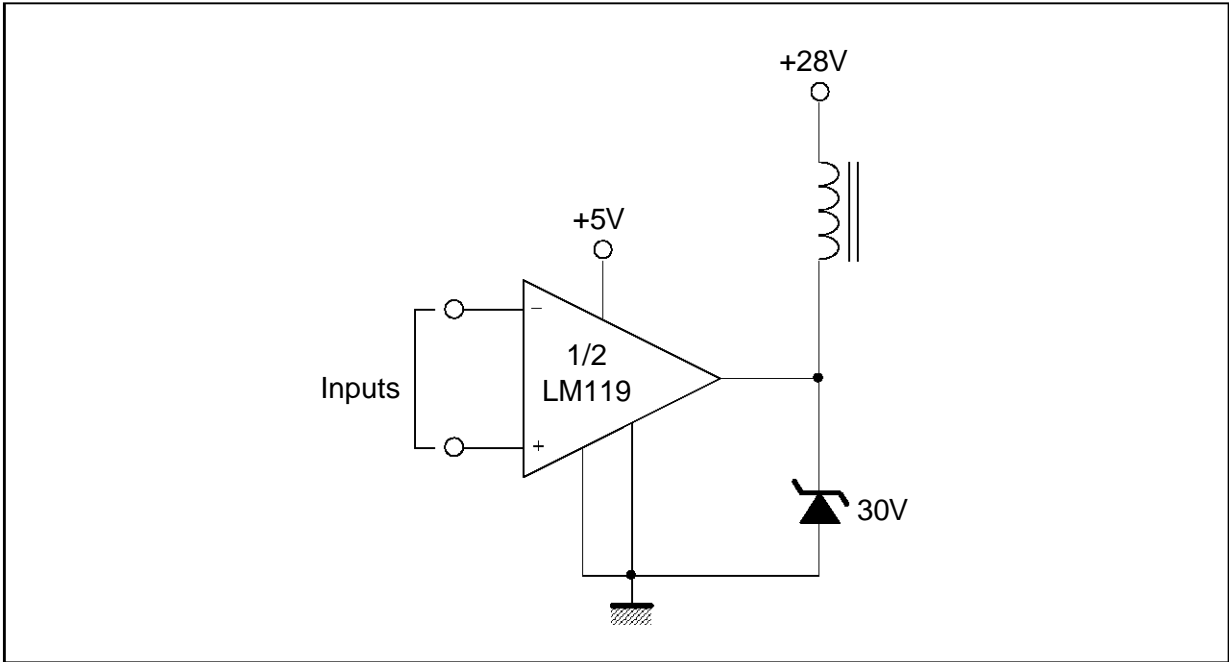


RESPONSE TIME FOR VARIOUS INPUT OVERDRIVES

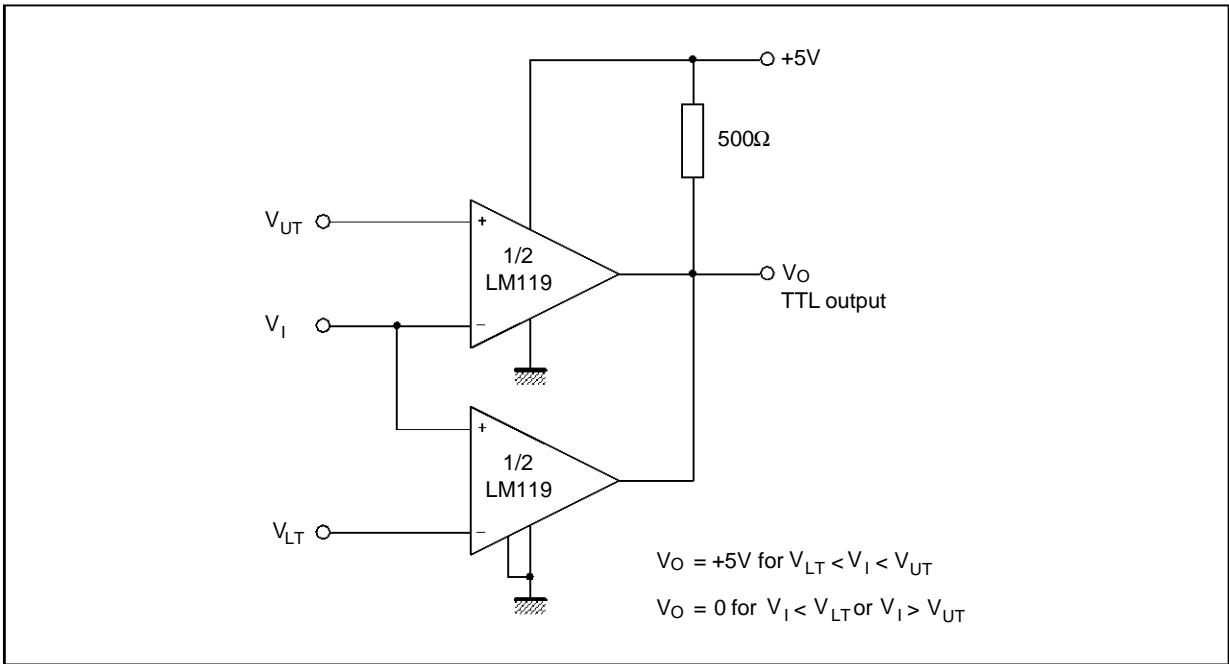


TYPICAL APPLICATION DIAGRAMS

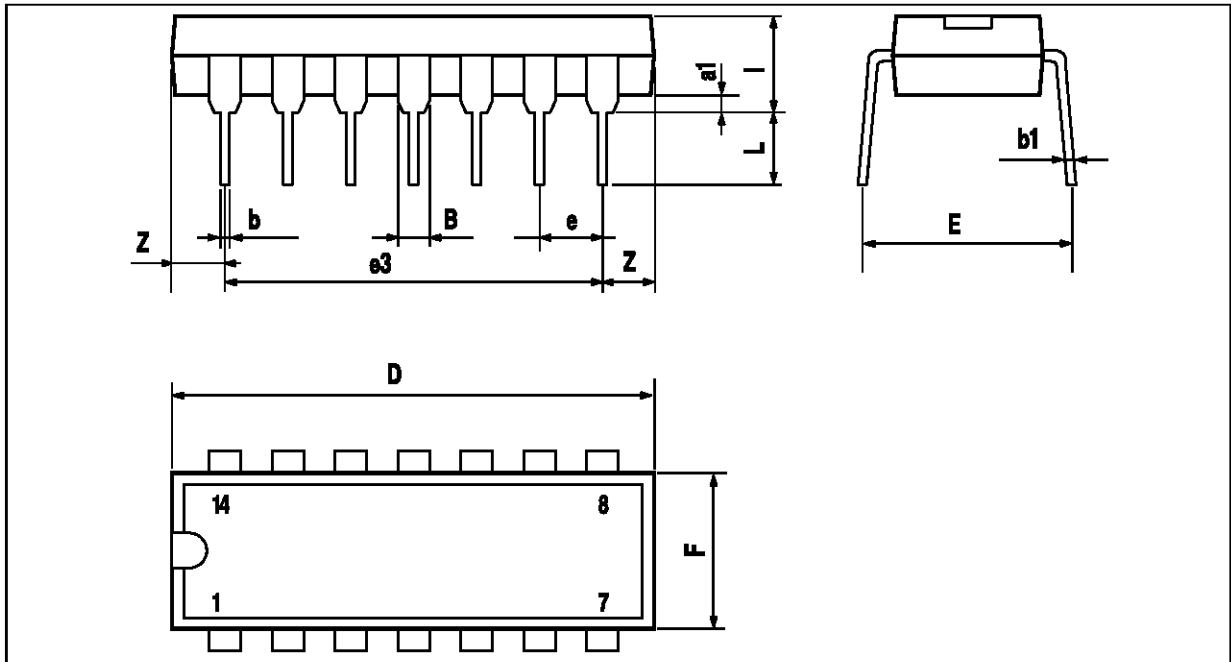
RELAY DRIVER



WINDOW DETECTOR



**PACKAGE MECHANICAL DATA**  
14 PINS – PLASTIC DIP



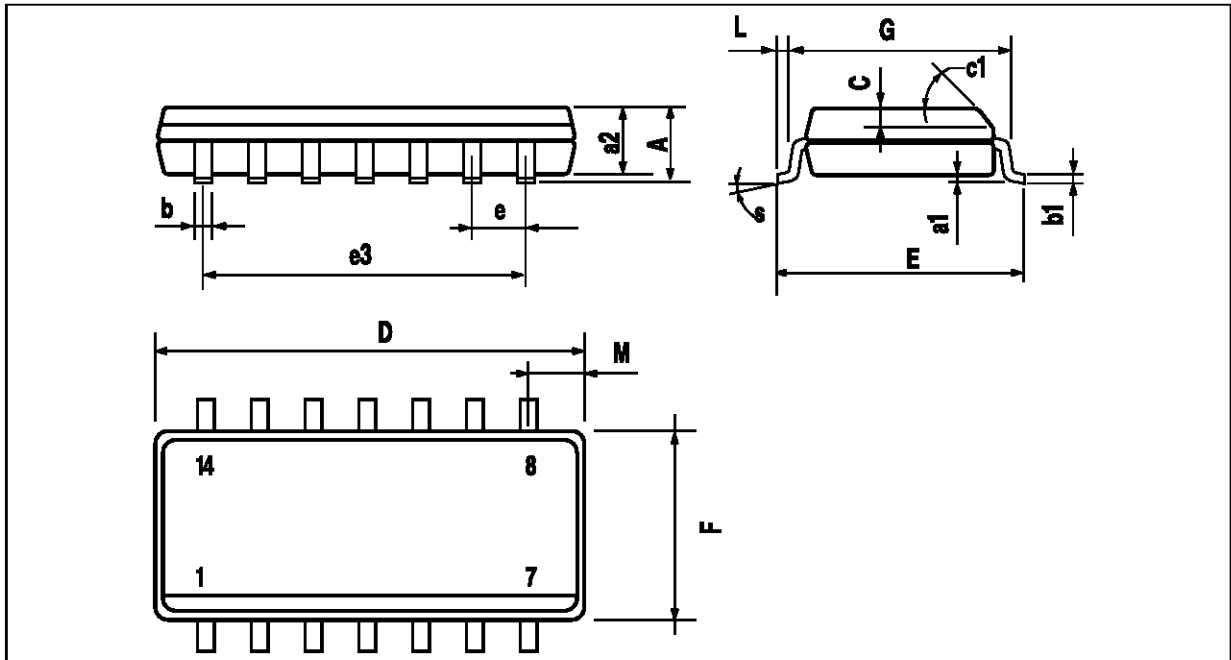
PM-DIP14.EPS

| Dimensions | Millimeters |       |      | Inches |       |       |
|------------|-------------|-------|------|--------|-------|-------|
|            | Min.        | Typ.  | Max. | Min.   | Typ.  | Max.  |
| a1         | 0.51        |       |      | 0.020  |       |       |
| B          | 1.39        |       | 1.65 | 0.055  |       | 0.065 |
| b          |             | 0.5   |      |        | 0.020 |       |
| b1         |             | 0.25  |      |        | 0.010 |       |
| D          |             |       | 20   |        |       | 0.787 |
| E          |             | 8.5   |      |        | 0.335 |       |
| e          |             | 2.54  |      |        | 0.100 |       |
| e3         |             | 15.24 |      |        | 0.600 |       |
| F          |             |       | 7.1  |        |       | 0.280 |
| i          |             |       | 5.1  |        |       | 0.201 |
| L          |             | 3.3   |      |        | 0.130 |       |
| Z          | 1.27        |       | 2.54 | 0.050  |       | 0.100 |

DIP14.TBL



**PACKAGE MECHANICAL DATA**  
 14 PINS – PLASTIC MICROPACKAGE (SO)



PM-S014.EPS

| Dimensions | Millimeters |      |      | Inches |       |       |
|------------|-------------|------|------|--------|-------|-------|
|            | Min.        | Typ. | Max. | Min.   | Typ.  | Max.  |
| A          |             |      | 1.75 |        |       | 0.069 |
| a1         | 0.1         |      | 0.2  | 0.004  |       | 0.008 |
| a2         |             |      | 1.6  |        |       | 0.063 |
| b          | 0.35        |      | 0.46 | 0.014  |       | 0.018 |
| b1         | 0.19        |      | 0.25 | 0.007  |       | 0.010 |
| C          |             | 0.5  |      |        | 0.020 |       |
| c1         | 45° (typ.)  |      |      |        |       |       |
| D          | 8.55        |      | 8.75 | 0.336  |       | 0.334 |
| E          | 5.8         |      | 6.2  | 0.228  |       | 0.244 |
| e          |             | 1.27 |      |        | 0.050 |       |
| e3         |             | 7.62 |      |        | 0.300 |       |
| F          | 3.8         |      | 4.0  | 0.150  |       | 0.157 |
| G          | 4.6         |      | 5.3  | 0.181  |       | 0.208 |
| L          | 0.5         |      | 1.27 | 0.020  |       | 0.050 |
| M          |             |      | 0.68 |        |       | 0.027 |
| S          | 8° (max.)   |      |      |        |       |       |

SO14.TBL

Information furnished is believed to be accurate and reliable. However, SGS-THOMSON Microelectronics assumes no responsibility for the consequences of use of such information nor for any infringement of patents or other rights of third parties which may result from its use. No license is granted by implication or otherwise under any patent or patent rights of SGS-THOMSON Microelectronics. Specification mentioned in this publication are subject to change without notice. This publication supersedes and replaces all information previously supplied. SGS-THOMSON Microelectronics products are not authorized for use as critical components in life support devices or systems without express written approval of SGS-THOMSON Microelectronics.

© 1997 SGS-THOMSON Microelectronics – Printed in Italy – All Rights Reserved

SGS-THOMSON Microelectronics GROUP OF COMPANIES  
 Australia - Brazil - Canada - China - France - Germany - Hong Kong - Italy - Japan - Korea - Malaysia - Malta - Morocco  
 The Netherlands - Singapore - Spain - Sweden - Switzerland - Taiwan - Thailand - United Kingdom - U.S.A.

ORDER CODE :