

## SEVEN SEGMENT NUMERIC DISPLAY

Ultra high brightness red GaAlAs  
 3 inch Character Height  
 High Contrast  
 Wide Viewing Angle  
 Common Anode - MU13001A  
 Common Cathode - MU13001C

## ABSOLUTE MAXIMUM RATINGS

Power Dissipation / Segment	435mW
Peak Forward Current / Segment	200mA
Continuous Forward Current / Segment	30mA
Reverse Voltage / Segment	5V
Operating Temperature Range	-25 to +80°C
Storage Temperature Range	-20 to +75°C

\* Note : Pulse Width = 1mS, Duty Ratio = 1/10.

## ELECTRO-OPTICAL CHARACTERISTICS(Ta=25°C) / segment

PARAMETER	SYMBOL	MIN	TYP	MAX	UNIT	CONDITIONS
Forward Voltage (DP & COMMA)	VF		10.8	14.4	V	IF=20mA
			3.6	4.8	V	IF=20mA
Luminous Intensity	IV	30	60		mcd	IF=10mA
Segment to Segment Luminous Intensity Ratio				2:1		IF=20mA
Peak Wavelength	$\lambda_p$		660		nm	IF=20mA
Spectral Line Half Width	$\Delta\lambda$		20		nm	IF=20mA

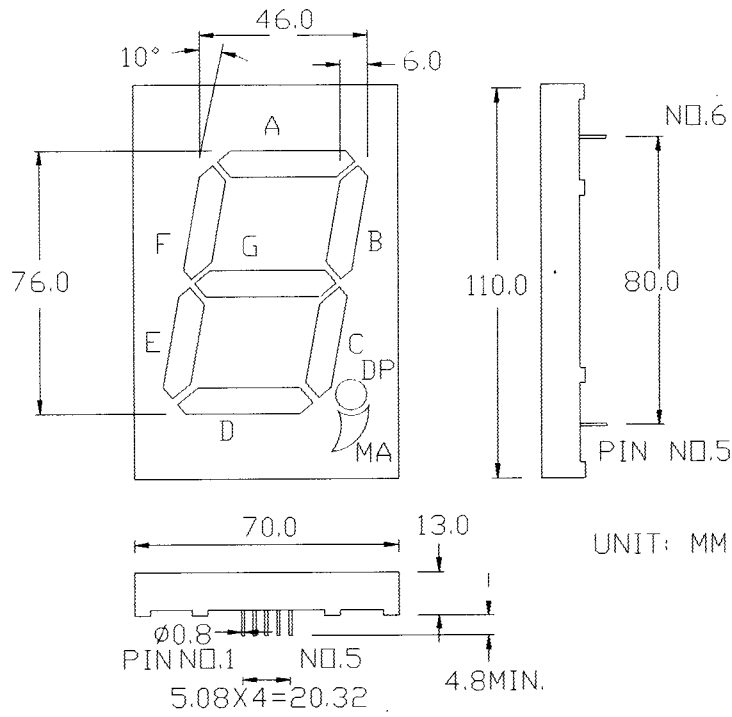


MICRO ELECTRONICS LTD.

38, Hung To Road, Microtron Building, Kwun Tong, Kowloon, Hong Kong.  
 Kwun Tong P.O. Box 69477 Hong Kong. Fax No. 2341 0321 Telex:43510 Micro Hx. Tel: 2343 0181-5

Feb-98

MECHANICAL OUTLINE:



CIRCUIT DIAGRAM:

