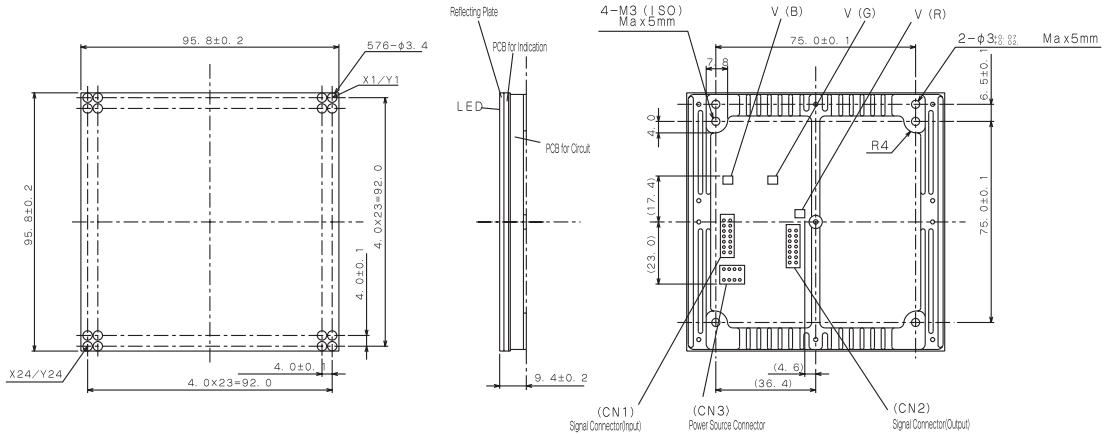


PANEL DISPLAY UNITS

96 × 96 mm

φ 3.4 mm 24 × 24 Dots LNP743013

Outline Drawing



Absolute Maximum Ratings (Ta = 25°C)

Item	Symbol	Ratings	Unit
Supply Voltage for LED 1	V_{LED1}	+ 3.5	V
Supply Voltage for LED 2	V_{LED2}	+ 7.0	V
Input Voltage	V_{in}	- 0.3 ~ + 0.5	V
Operating Ambient Temperature	T_{opr}	- 10 ~ + 45	°C
Storage Temperature	T_{stg}	- 25 ~ + 85	°C

Recommendable Operating Conditions (Ta = 25°C)

Item	Symbol	Min	Typ	Max	Unit
Supply Voltage for LED 1	V_{LED1}	2.8	3.0	3.2	V
Supply Voltage for LED 2	V_{LED2}	6.2	6.5	6.8	V
Input Voltage	V_{in}	0.0		5.0	V

Main Specifications (Ta = 25°C)

Item	Symbol	Ratings	Unit
Display Colors		Multi Color (Red, Green, Blue)	
Display Surface Size		96 × 96	mm
Dots Size		φ 3.4	mm
Dots Pitch		4.0	mm
Dot Total Number		576 (24 × 24)	
Brightness (when lighting all lamps)	B	R: typ 100 YG: Typ200 PB:Typ100	cd/m ²
Peak Emission Wavelength	λ_p	R: typ 650 YG: Typ565 PB:Typ470	nm
Operating Method		1/24(Duty) Dynamic lighting	
Operating Frequency	CLK	Max 10	MHz
Supply Current	LED 1	I_{LED1}	Max 1.5
	LED 2	I_{LED2}	Max 4.5
Mass		100	g