

**SANYO**

No.2564

LA3241

PREAMP FOR COMPACT CASSETTE RECORDING-ONLY USE

The LA3241 is a preamp IC for compact cassette player recording-only use. The distinctive feature of the LA3241 is that it contains mechanical switches which have been so far connected externally as peripheral parts.

**Applications**

- Radio-cassette tape recorder/tape deck-use stereo compact cassette player

**Features**

- Wide ALC :  $ALC_W=60\text{dB}$  typ
- 2-step ALC level :  $ALC_{V_{O}}=0.42\text{V}, 0.65\text{V}$
- On-chip electronic select switches permitting selection of normal/metal tape and normal/higher speed mode recording equalizer
- On-chip mike amp : Gain 25dB typ fixed
- Low-voltage operation because the Schottky barrier diode is used for ALC rectifier diode.
- Wide operating voltage :  $V_{CC}=4.5$  to  $14.0\text{V}$

**Functions**

- Recording preamp x2
- Mike amp x1
- ALC x1
- Electronic switch x6

**Maximum Ratings at  $T_a=25^\circ\text{C}$** 

			unit
Maximum Supply Voltage	$V_{CC}$ max	16	V
Allowable Power Dissipation	$P_d$ max	720	mW
Operating Temperature	$T_{opr}$	-20 to +75	$^\circ\text{C}$
Storage Temperature	$T_{stg}$	-40 to +125	$^\circ\text{C}$

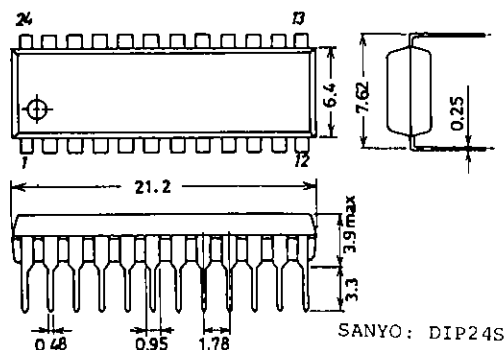
**Operating Conditions at  $T_a=25^\circ\text{C}$** 

			unit
Recommended Supply Voltage	$V_{CC}$	6	V
Operating Voltage Range	$V_{CC}$ op	4.5 to 14.0	V

**Package Dimensions**

(unit: mm)

3067

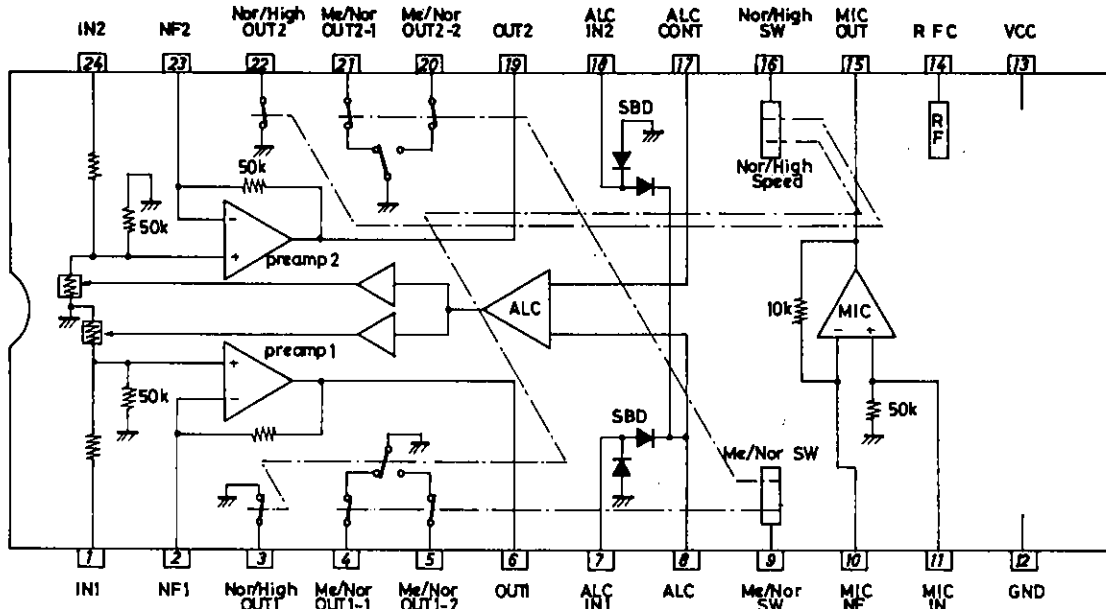


## LA3241

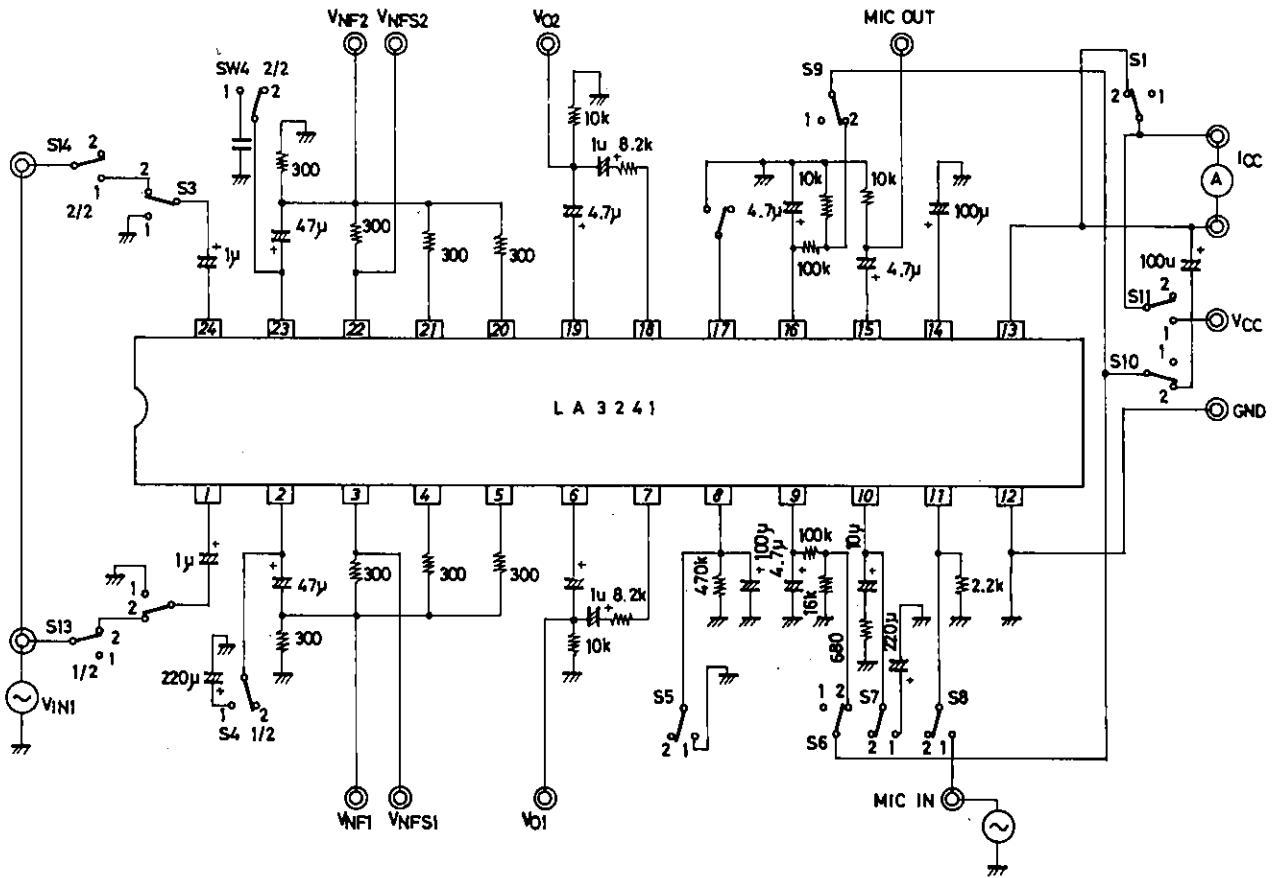
Operating Characteristics at  $T_a=25^{\circ}\text{C}$ ,  $V_{CC}=6\text{V}$ ,  $R_L=10\text{kohms}$ ,  $f=1\text{kHz}$ ,  $0\text{dB}=0.775\text{V}$ 

			min	typ	max	unit
Quiescent Current	$I_{CCO}$	Me/Nor, Nor/High SW off	5	7.5	12	mA
Quiescent Current	$I_{CCS}$	Me/Nor, Nor/High SW on	12	16	20	mA
[REC Amp]						
Voltage Gain (Open)	$VG_{01}$		75	85		dB
Voltage Gain (Closed)	$VG1$	$V_o=0\text{dBm}$	42.5	44.5	46.0	dB
Total Harmonic Distortion	THD1	$V_o=0.4\text{V}$		0.1	0.7	%
Maximum Output Voltage	$V_o$ max	THD=1%	0.7	1.0		V
Equivalent Input Noise Voltage	$V_{NI1}$	$R_g=2.2\text{kohms}$ , BPF: 20Hz to 20kHz		1.1	1.7	$\mu\text{V}$
Input Resistance	$R_{I1}$		40	50	60	kohm
Crosstalk	CT1	Between REC amps	50	60		dB
	CT2	REC amp $\rightarrow$ Mike amp	50	75		dB
Channel Balance	CB	$V_i=-50\text{dBm}$		0	2	dB
[Mike Amp]						
Voltage Gain	$VG_{02}$		40	50		dB
Voltage Gain	$VG2$	$V_o=0\text{dBm}$	23	25	27	dB
Total Harmonic Distortion	THD2	$V_o=0.4\text{V}$		0.1	0.7	V
Maximum Output Voltage	$V_{O2}$	THD=1%	0.8	1.1		V
Equivalent Input Noise Voltage	$V_{NI2}$	$R_g=3.6\text{kohms}$ , BPF: 20Hz to 20kHz		1.2	1.7	$\mu\text{V}$
Input Resistance	$R_{I2}$		40	50	60	kohm
Crosstalk	CT3	Mike amp $\rightarrow$ REC amp	45	60		dB
[ALC]						
ALC Range	$ALC_W$	Input range when output distortion becomes 1% after ALC begins to be applied.	55	60		dB
ALC Balance	$ALC_B$	Output difference between CH1 and CH2		0	2	dB
ALC Distortion	$ALC_{THD}$	$V_i=-40\text{dBm}$		0.15	0.80	%
ALC Output Voltage	$ALC_{V_o}$	$V_i=-40\text{dBm}$ , pin17 Gnd pin17 open	0.33	0.42	0.53	V
			0.56	0.65	0.76	
Crosstalk	CT4	Between REC amps	45	60		dB
	CT5	REC amp $\rightarrow$ Mike amp	50	70		dB
[Switch]						
ON-State Resistance	$R_{on}$			30	70	ohm
DC Feedback Resistance	$R_{F1}$		40	50	60	kohm

Equivalent Circuit Block Diagram

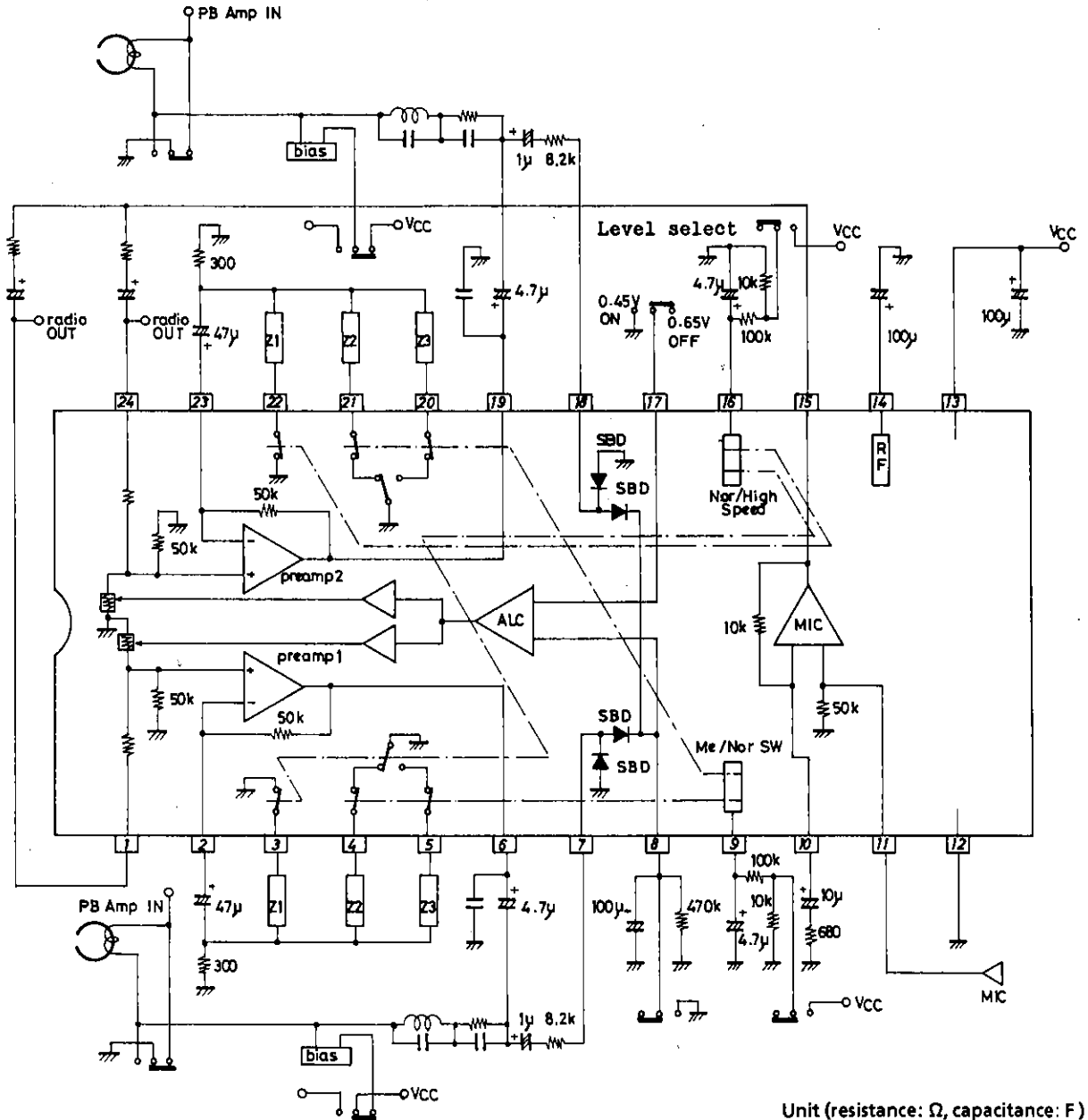


Test Circuit Diagram



Unit (resistance: Ω, capacitance: F)

## Sample Application Circuit



## (Notes)

1. The electronic select switch level is approximately  $(V_{CC}-0.9)/2$ .
2. REC amplifier NF parameters Z1 through Z3 should be selected to accommodate the recording level and frequency response that will be required in metal/normal tape and normal/higher speed modes.
3. Z1 through Z3 may be configured with coil "L", capacitor "C", and resistor "R".
4. The electronic select switch mode illustrated above shows no  $V_{CC}$  being impressed on Me/Nor SW (9) or Nor/High SW (10).
5. The ALC level on pin 7 should not be changed over while  $V_{CC}$  is impressed.

- No products described or contained herein are intended for use in surgical implants, life-support systems, aerospace equipment, nuclear power control systems, vehicles, disaster/crime-prevention equipment and the like, the failure of which may directly or indirectly cause injury, death or property loss.
- Anyone purchasing any products described or contained herein for an above-mentioned use shall:
  - ① Accept full responsibility and indemnify and defend SANYO ELECTRIC CO., LTD., its affiliates, subsidiaries and distributors and all their officers and employees, jointly and severally, against any and all claims and litigation and all damages, cost and expenses associated with such use:
  - ② Not impose any responsibility for any fault or negligence which may be cited in any such claim or litigation on SANYO ELECTRIC CO., LTD., its affiliates, subsidiaries and distributors or any of their officers and employees jointly or severally.
- Information (including circuit diagrams and circuit parameters) herein is for example only; it is not guaranteed for volume production. SANYO believes information herein is accurate and reliable, but no guarantees are made or implied regarding its use or any infringements of intellectual property rights or other rights of third parties.