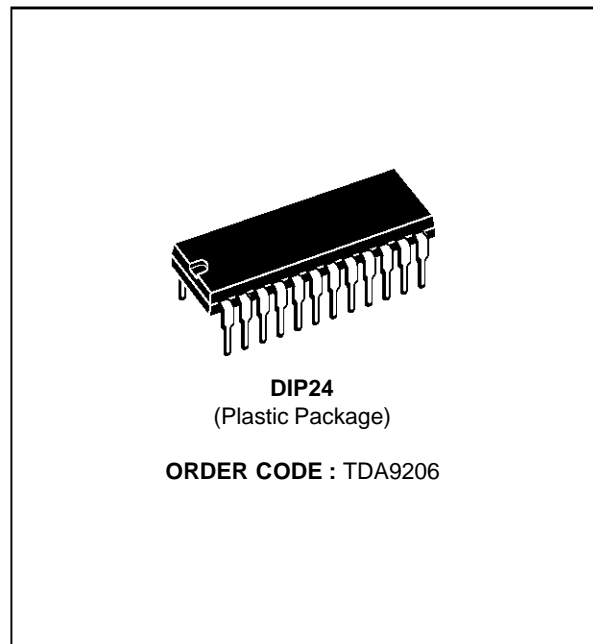


## I<sup>2</sup>C BUS CONTROLLED 130MHz RGB PREAMPLIFIER

- 130MHz TYPICAL BANDWIDTH AT 2V<sub>PP</sub> OUTPUT WITH 12pF CAPACITIVE LOAD
- 2.8ns TYPICAL RISE/FALL TIME AT 2V<sub>PP</sub> OUTPUT WITH 12pF CAPACITIVE LOAD
- POWERFULL OUTPUT DRIVE CAPABILITY
- BRT, CONT, DRIVE, OUTPUT DC LEVEL, OSD CONTRAST, BACK-PORCH CLAMPING PULSE WIDTH ARE I<sup>2</sup>C BUS CONTROLLED
- INTERNAL BACK-PORCH CLAMPING PULSE GENERATOR
- OSD WHITE BALANCE TRACKING
- INTERNAL OSD SWITCHES
- BLANKING AND FAST-BLANKING INPUTS
- VERY LARGE DRIVE ADJUSTMENT RANGE (48dB)
- SEMI-TRANSPARENT BACKGROUND ON OSD PICTURE

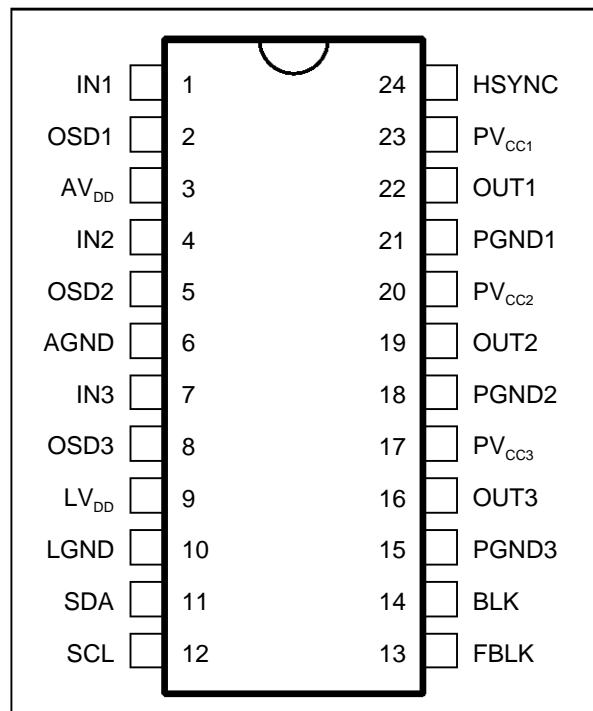


### DESCRIPTION

The TDA9206 is a digitally controlled wideband video preamplifier intended for use in high resolution color monitor. All controls and adjustments are digitally performed thanks to I<sup>2</sup>C serial bus. Contrast, brightness and DC output level of RGB signals are common to the 3 channels and drive adjustment is separate for each channel. Three I<sup>2</sup>C gain controlled OSD inputs can be switched with RGB signals using fast blanking command. Clamping of RGB signals is performed thanks to a flexible integrated system. The white balance adjustment is effective on brightness, video and OSD signals. The TDA9206 works for application using AC or DC coupled CRT driver.

Because of its features and due to component saving the TDA9206 leads to a very performant and cost effective application.

### PIN CONNECTIONS



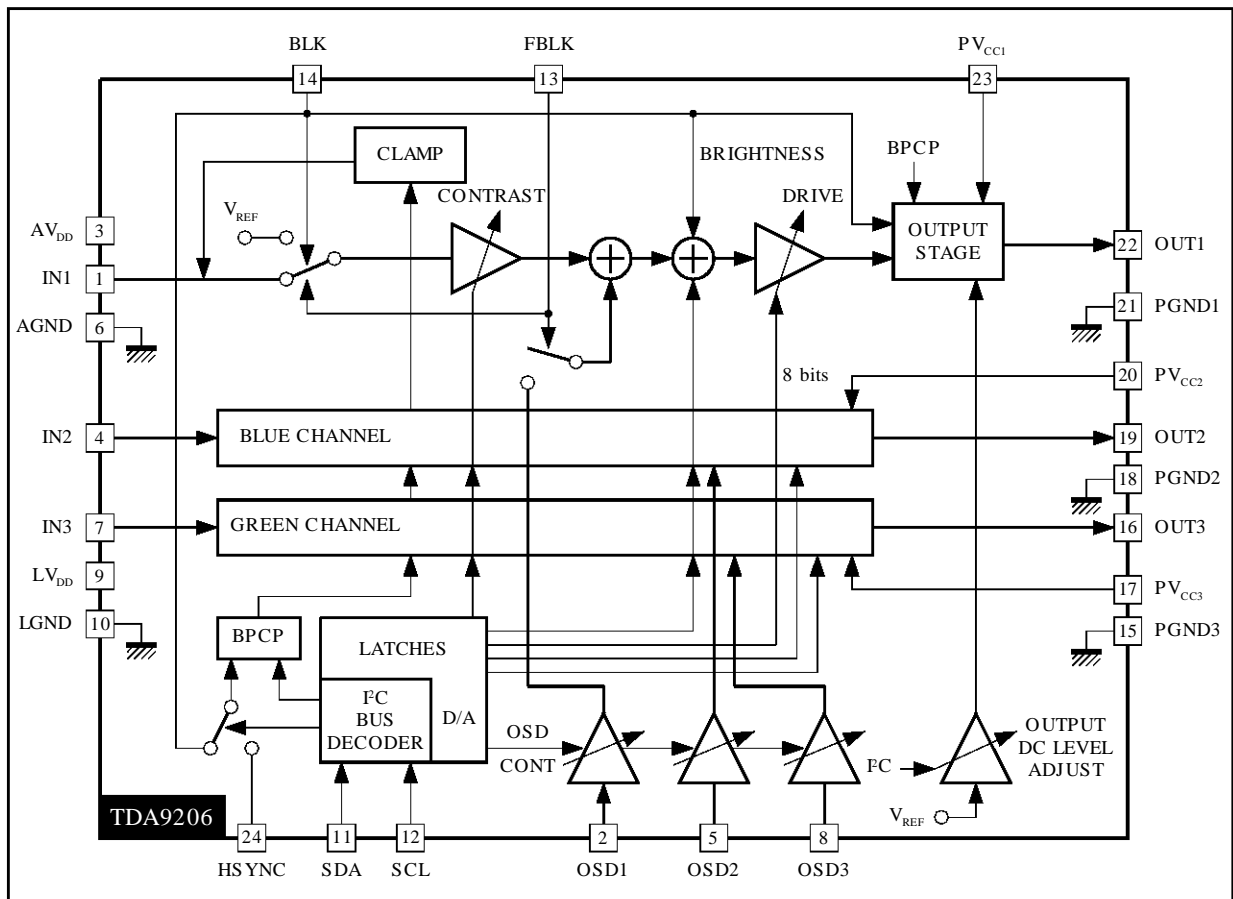
**PIN DESCRIPTION**

Name	Pin	Type	Function
IN1	1	I	1 <sup>st</sup> Channel Main Picture Input
OSD1	2	I	1 <sup>st</sup> Channel OSD Input
AV <sub>DD</sub>	3	I	12V Analog V <sub>DD</sub>
IN2	4	I	2 <sup>nd</sup> Channel Main Picture Input
OSD2	5	I	2 <sup>nd</sup> Channel OSD Input
AGND	6	I/O	Analog Ground
IN3	7	I	3 <sup>rd</sup> Channel Main Picture Input
OSD3	8	I	3 <sup>rd</sup> Channel OSD Input
LV <sub>DD</sub>	9	I	12V Logic V <sub>DD</sub>
LGND	10	I/O	Logic Ground
SDA	11	I/O	Serial Data Line
SCL	12	I	Serial Clock Line

Name	Pin	Type	Function
FBLK	13	I	Fast Blanking Input
BLK	14	I	Blanking Input
PGND3	15	I/O	3 <sup>rd</sup> Channel Power Ground
OUT3	16	O	3 <sup>rd</sup> Channel Output
PV <sub>CC3</sub>	17	I	3 <sup>rd</sup> Channel Power V <sub>CC</sub>
PGND2	18	I/O	2 <sup>nd</sup> Channel Power Ground
OUT2	19	O	2 <sup>nd</sup> Channel Output
PV <sub>CC2</sub>	20	I	2 <sup>nd</sup> Channel Power V <sub>CC</sub>
PGND1	21	I/O	1 <sup>st</sup> Channel Power Ground
OUT1	22	O	1 <sup>st</sup> Channel Output
PV <sub>CC1</sub>	23	I	1 <sup>st</sup> Channel Power V <sub>CC</sub>
HSYNC	24	I	Horizontal Synch Input

9206-01.TBL

**BLOCK DIAGRAM**



9206-02.EPS

## FUNCTIONAL DESCRIPTION

### Input Stage

The R, G and B signals must be fed to the three inputs through coupling capacitors (100nF).

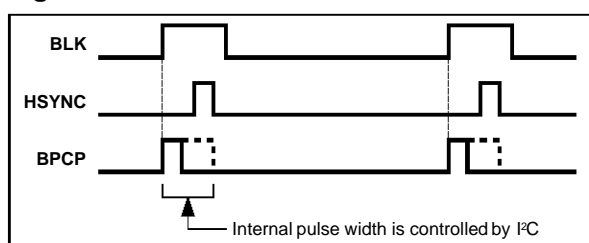
The maximum input peak-to-peak video amplitude is 1V.

The input stage includes a clamping function. This clamp is using the input serial capacitor as "memory capacitor" and is gated by an internally generated "Back-Porch-Clamping-Pulse (BPCP)".

The synchronization edge of the BPCP is selected according bit 0 of register R8.

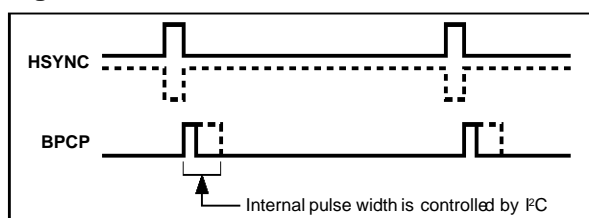
When B0R8 is set to 1, the BPCP is synchronized on the leading edge of the blanking pulse BLK inputs on Pin 14 (see Figure 1).

Figure 1



When B0R8 is clear to 0, the BPCP is synchronized on the second edge of the horizontal pulse HSYNC inputs on Pin 24. An automatic function allows to use positive or negative horizontal pulse on Pin 24 (see Figure 2).

Figure 2



In both case BPCP width is adjustable by I<sup>2</sup>C, B1 and B2 of register R8 (see R8 Table P8).

### Contrast Adjustment (8 bits)

The contrast adjustment is made by controlling simultaneously the gain of three internal variable gain amplifiers through the I<sup>2</sup>C bus interface.

The contrast adjustment allows to cover a typical range of 48dB.

### Brightness Adjustment (8 bits)

As for the contrast adjustment, the brightness is controlled by I<sup>2</sup>C.

The brightness function consists to add the same DC offset to the three R, G, B signals after contrast amplification.

This DC-Offset is present only outside the blanking pulse (see Figure 3).

The DC output level during the blanking pulse, is forced to "INFRA-BLACK" level (V<sub>DC</sub>).

### Drive Adjustment (3 x 8 bits)

In order to adjust the white balance, the TDA9206 offers the possibility to adjust separately the overall gain of each complete video channel.

The gain of each channel is controlled by I<sup>2</sup>C (8bits each).

The very large drive adjustment range (48dB) allows different standard or custom color temperature.

It can also be used to adjust the output voltages at the optimum amplitude to drive the C.R.T drivers, keeping the whole contrast control for end-user only.

The drive adjustment is located after the CONTRAST, BRIGHTNESS and OSD switch blocks, so that the white balance will remains correct when BRT is adjusted, and will also be correct on OSD portion of the signal.

### OSD Inputs

The TDA9206 includes all the circuitry necessary to mix OSD signals into the RGB main-picture. Four pins are dedicated to this function as follow.

Three TTL RGB On Screen Display inputs (Pin 2, 5 and 8). These three inputs are connected to the three outputs of the corresponding ON-SCREEN-DISPLAY processor (ex : STV942x).

One Fast Blanking Input (FBLK, Pin 13) which is also connected to the FBLK output of the same ON-SCREEN-DISPLAY processor.

When a high level is present on FBLK, the IC will acts as follow :

- The three main picture RGB input signals are internally switched to the internal input clamp reference voltage.
- The three output signals are set to voltages corresponding to the state (0 or 1) on the three OSD inputs (see Figure 3).

*Example :*

If FBLK = 1 and OSD1, OSD2, OSD3) = 1, 0, 1 respectively.

Then OUT1, OUT2, OUT3 will be equal to V<sub>OSD</sub>, V<sub>BRT</sub>, V<sub>OSD</sub>,

where : V<sub>BRT</sub> = V<sub>BLACK</sub> + BRT

V<sub>OSD</sub> = V<sub>BRT</sub> + OSD

BRT is the brightness DC level I<sup>2</sup>C adjustable.

OSD is the On-Screen Display signal value I<sup>2</sup>C adjustable from 0V to 4.68V<sub>PP</sub> by step of 0.312V.

Semi-transparent function is controlled thanks to Bit 6 of R8 register (see Table 1).

When semi-transparent mode is activated, video signal is divided by 2 (CONT).

FUNCTIONAL DESCRIPTION (continued)

Table 1

FBLK	OSD1	OSD2	OSD3	B6R8	Output Signal (OUTn)
0	x	x	x	0	Video
1	x	x	x	0	OSD (1)
0	x	x	x	1	Video
1	0	x	x	1	OSD
1	x	1	x	1	OSD
1	x	x	0	1	OSD
1	1	0	1	1	Semi-transparent (2)

Notes : 1. All OSD colors are displayed.  
 2. One OSD color is displayed as semi-transparent video without effect on brightness and DC level adjustment.

Output Stage

The three output stages incorporate three functions which are :

- The blanking stage : When high level is applied to the BLK input (Pin 14), the three outputs are switched to a voltage which is 400mV lower than the BLACK level. The black level is the output voltage with minimum brightness when input signal video amplitude is equal to "0".
- The output stage itself : It is a large bandwidth output amplifier which allow to deliver up to 5V<sub>PP</sub> on the three outputs (for 0.7V video signal on the inputs). The typical bandwidth is 100MHz at -3dB measured with 4V<sub>PP</sub> output signal on 12pF load.

- The output CLAMP : The IC also incorporates three internal output clamp (sample and hold system) which allow to DC shift the three output signals. The DC output voltage is adjustable through I<sup>2</sup>C with 4 bits. Practically, the DC output level allow to adjust the BLK level (V<sub>DC</sub> = 400mV under V<sub>BLACK</sub>) from 0.9V to 2.9V with 12 x 165mV.

The overall waveforms of the output signal according to the different adjustment are shown in Figures 3 and 4.

Serial Interface

The 2-wires serial interface is an I<sup>2</sup>C interface. The slave address of the TDA9206 is DC (in hexadecimal).

A6	A5	A4	A3	A2	A1	A0	W
1	1	0	1	1	1	0	0

Data Transfer

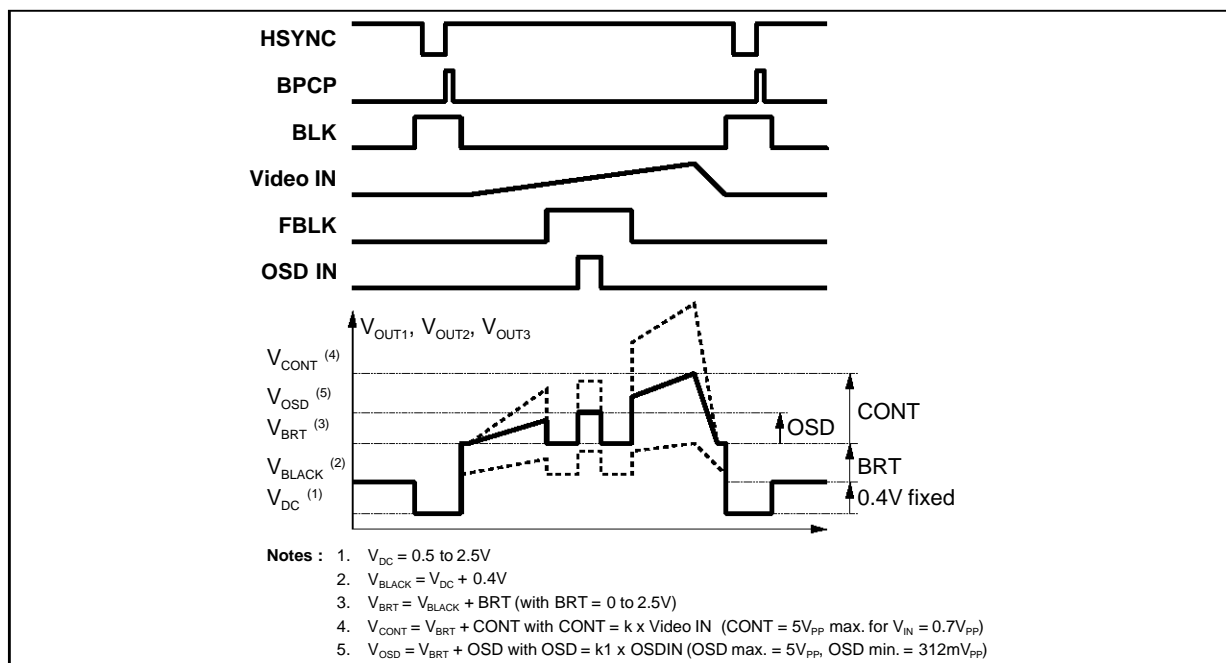
The host MCU can write data into the TDA9206 registers. Read mode is not available.

To write data into the TDA9206, after a start, the MCU must send (see Figure 5) :

- The I<sup>2</sup>C address slave byte with a low level for the R/W bit.
- The byte of the internal register address where the MCU wants to write data(s).
- The data.

All bytes are sent MSB bit first and the write data transfer is closed by a stop.

Figure 3 : Waveforms VOUT, BRT, CONT, OSD



FUNCTIONAL DESCRIPTION (continued)

Figure 4 : Waveforms (DRIVE adjustment)

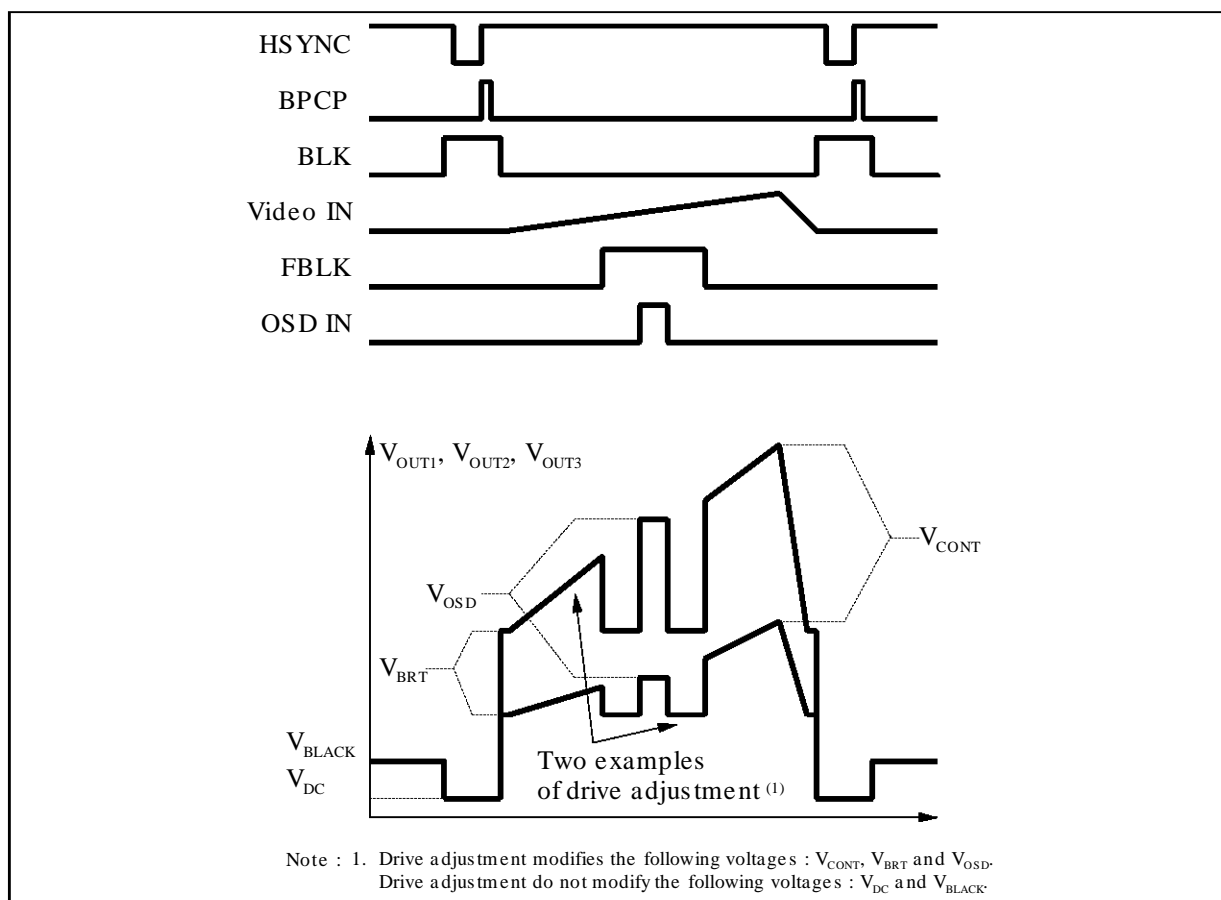
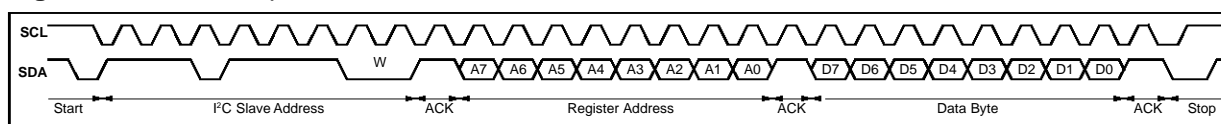


Figure 5 : I<sup>2</sup>C Write Operation



QUICK REFERENCE DATA

Symbol	Parameter	Min.	Typ.	Max.	Unit
	Signal Bandwidth (2V <sub>PP</sub> /12pF load)		130		MHz
	Rise and Fall Time (2V <sub>PP</sub> /12pF load)		2.8		ns
	Drive Adjustment Range on the 3 Channels separately		48		dB
	Maximum Output Voltage (V <sub>IN</sub> = 0.7 V <sub>PP</sub> )		5		V
	Output Voltage Range (AC + DC)			8	V

**ABSOLUTE MAXIMUM RATINGS**

Symbol	Parameter	Value	Unit
V <sub>S</sub>	Supply Voltage (Pins 3-9-17-20-23)	14	V
V <sub>IN1</sub> V <sub>IN2</sub>	Voltage at any Input Pins (except SDA & SCL) Voltage at any Input Pins (on SDA & SCL)	GND < V <sub>IN1</sub> < V <sub>S</sub> GND < V <sub>IN2</sub> < 5.5	V V
V <sub>ESD</sub>	ESD Susceptability (Human body model ; 100pF Discharge through 1.5kΩ)	2	kV
T <sub>stg</sub>	Storage Temperature	- 40, + 150	°C
T <sub>j</sub>	Junction Temperature	150	°C
T <sub>oper</sub>	Operating Temperature	0, + 70	°C

9206-03.TBL

**THERMAL DATA**

Symbol	Parameter	Value	Unit
R <sub>th(j-a)</sub>	Junction-ambient Thermal Resistance	62	°C/W

9206-04.TBL

**DC ELECTRICAL CHARACTERISTICS** (T<sub>amb</sub> = 25°C, V<sub>CC</sub> = 12V, unless otherwise specified)

Symbol	Parameter	Test Conditions	Min.	Typ.	Max.	Unit
V <sub>S</sub>	Supply Voltage	Pins 3-9-17-20-23	11.4	12	12.6	V
I <sub>S</sub>	Supply Current (All V <sub>S</sub> Pin current)	R <sub>L</sub> = 1kΩ		90		mA
V <sub>I</sub>	Video Input Voltage Amplitude	Pins 1-4-7		0.7	1	V <sub>PP</sub>
V <sub>O</sub>	Typical Output Voltage Range	Pins 16-19-22	0.5	-	8	V
V <sub>IL OSD</sub>	Low Level Inputs OSD, FBLK, BLK, HSYNC	Pins 2, 5, 8, 13, 14, 24			0.8	V
V <sub>IH OSD</sub>	High Level Inputs OSD, FBLK, BLK, HSYNC	Pins 2, 5, 8, 13, 14, 24	2.4			V

9206-05.TBL

**AC ELECTRICAL CHARACTERISTICS**

(T<sub>amb</sub> = 25°C, V<sub>CC</sub> = 12V, C<sub>L</sub> = 12pF, R<sub>L</sub> = 1kΩ , unless otherwise specified)

Symbol	Parameter	Test Conditions	Min.	Typ.	Max.	Unit
AV	Maximum Gain (20 log x V <sub>OUT AC</sub> /V <sub>IN AC</sub> )	Contrast & Drive at maximum		18		dB
CAR	Contrast Attenuation Range	V <sub>IN</sub> = 0.7V, BRT, Drive = POR		48		dB
DAR	Drive Attenuation Range	V <sub>IN</sub> = 0.7V, Contrast, Drive = POR		48		dB
GM	Gain Match	V <sub>OUT</sub> = 2.5V <sub>PP</sub> , V <sub>IN</sub> = 0.7V <sub>PP</sub> Contrast = Drive = Maxi x 0.7 (POR)		± 0.1		dB
BW	Bandwidth Large Signal	At -3dB, V <sub>IN</sub> = 0.7V <sub>PP</sub> V <sub>OUT</sub> = 4V <sub>PP</sub> , Contrast = Drive = Maxi x 0.87		100		MHz
	Bandwidth Small Signal	V <sub>OUT</sub> = 2V <sub>PP</sub> , Contrast = Drive = Maxi x 0.62		130		MHz
DIS	Video Output Distorsion (see Note)	f = 1MHz, V <sub>OUT</sub> = 1V <sub>PP</sub> , V <sub>IN</sub> = 1V <sub>PP</sub>		0.3		%
t <sub>R</sub> , t <sub>F</sub>	Video Output Rise and Fall Time (see Note)	V <sub>IN</sub> = 0.7V <sub>PP</sub> , V <sub>OUT</sub> = 4V <sub>PP</sub> Contrast = Drive = Maxi x 0.87 V <sub>OUT</sub> = 2V <sub>PP</sub> Contrast = Drive = Maxi x 0.62		3.8	4.5	ns
				2.8		ns
BRT	Brightness Maximum DC Level			2.5		V
	Brightness Minimum DC Level			0		V
BRTM	Brightness Matching	BRT = 50%, Drive = POR		± 20		mV

9206-06.TBL

**Note :** POR = Power-on Reset Value

**AC ELECTRICAL CHARACTERISTICS**(T<sub>amb</sub> = 25°C, V<sub>CC</sub> = 12V, C<sub>L</sub> = 12pF, R<sub>L</sub> = 1kΩ, unless otherwise specified)

Symbol	Parameter	Test Conditions	Min.	Typ.	Max.	Unit
OSD CAR	Contrast Attenuation Range for OSD Input			24		dB
DC	Output Maximum DC Level Output Minimum DC Level			2.5 0.5		V V
R <sub>L</sub>	Equivalent Load on Video Output	with T <sub>j</sub> ≤ T <sub>j</sub> Max.	0.47	1		kΩ
CT	Croostalk between Video Channels (see Note 1)	V <sub>OUT</sub> = 2.5V <sub>PP</sub> , V <sub>IN</sub> = 0.7V <sub>PP</sub> Contrast = Drive = Maxi x 0.7 (POR) f <sub>IN</sub> = 1MHz f <sub>IN</sub> = 50MHz	44 34			dB dB

9206-07.TBL

- Notes :**
1. These parameters are not tested on each unit. They are measured during an internal qualification procedure which includes characterization on batches coming from corners of our processes and also from temperature characterization.
  2. POR = Power-on Reset Value

**I<sup>2</sup>C ELECTRICAL CHARACTERISTICS** (T<sub>amb</sub> = 25°C, V<sub>CC</sub> = 12V, unless otherwise specified)

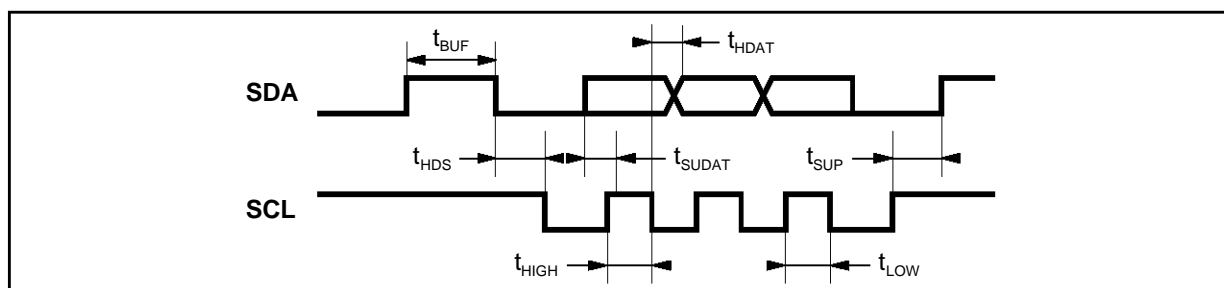
Symbol	Parameter	Test Conditions	Min.	Typ.	Max.	Unit
V <sub>IL</sub>	Low Level Input Voltage	On Pins SDA, SCL			1.5	V
V <sub>IH</sub>	High Level Input Voltage		3			V
I <sub>IN</sub>	Input Current	0.4V < V <sub>IN</sub> < 4.5V	-10		+10	μA
f <sub>SCL(Max.)</sub>	SCL Maximum Clock Frequency		200			kHz
V <sub>OL</sub>	Low Level Output Voltage	SDA Pin when ACK Sink Current = 6mA			0.6	V

9206-08.TBL

**I<sup>2</sup>C INTERFACE TIMINGS REQUIREMENTS** (See Figure 6)

Symbol	Parameter	Min.	Typ.	Max.	Unit
t <sub>BUF</sub>	Time the bus must be free between 2 access	1300			ns
t <sub>HDS</sub>	Hold Time for Start Condition	600			ns
t <sub>SUP</sub>	Set-up Time for Stop Condition	600			ns
t <sub>LOW</sub>	The Low Period of Clock	1300			ns
t <sub>HIGH</sub>	The High Period of Clock	600			ns
t <sub>HDAT</sub>	Hold Time Data	300			ns
t <sub>SUDAT</sub>	Set-up Time Data	250			ns
t <sub>R</sub> , t <sub>F</sub>	Rise and Fall Time of both SDA and SCL	20		300	ns

9206-09.TBL

**Figure 6**

9206-08.EPS

**REGISTER DESCRIPTION**

**Registers Sub-address**

Address (Hex)	Register Names	Function	POR Value
01	Contrast	DAC 8-bit	B4
02	Brightness	DAC 8-bit	B4
03	Drive 1	DAC 8-bit	B4
04	Drive 2	DAC 8-bit	B4
05	Drive 3	DAC 8-bit	B4
06	Output DC Level	DAC 4-bit	08
07	OSD Contrast	DAC 4-bit	08
08	BP and Miscellaneous	See R8 Table	04

**Contrast Register (R1) (Video IN = 0.5V<sub>PP</sub>, Brightness at minimum, Drive at maximum)**

Hex	b7	b6	b5	b4	b3	b2	b1	b0	CONT (V <sub>PP</sub> )	G (dB)	POR Value
00	0	0	0	0	0	0	0	0	0	-	
01	0	0	0	0	0	0	0	1	0.015	-30	
02	0	0	0	0	0	0	1	0	0.031	-24	
04	0	0	0	0	0	1	0	0	0.062	-18	
08	0	0	0	0	1	0	0	0	0.125	-12	
10	0	0	0	1	0	0	0	0	0.25	-6	
20	0	0	1	0	0	0	0	0	0.5	0	
40	0	1	0	0	0	0	0	0	1	6	
80	1	0	0	0	0	0	0	0	2	12	
B4	1	0	1	1	0	1	0	0	2.812	15	X
FF	1	1	1	1	1	1	1	1	4	18	

**Brightness Register (R2) (Drive at maximum)**

Hex	b7	b6	b5	b4	b3	b2	b1	b0	BRT (V)	POR Value
00	0	0	0	0	0	0	0	0	0	
01	0	0	0	0	0	0	0	1	0.010	
02	0	0	0	0	0	0	1	0	0.020	
04	0	0	0	0	0	1	0	0	0.040	
08	0	0	0	0	1	0	0	0	0.080	
10	0	0	0	1	0	0	0	0	0.160	
20	0	0	1	0	0	0	0	0	0.320	
40	0	1	0	0	0	0	0	0	0.640	
80	1	0	0	0	0	0	0	0	1.28	
B4	1	0	1	1	0	1	0	0	1.8	X
FF	1	1	1	1	1	1	1	1	2.56	



**REGISTER DESCRIPTION** (continued)**Drive Registers (R3, R4, R5)** (Video IN = 0.5V<sub>PP</sub>, Brightness at minimum, Contrast at maximum)

Hex	b7	b6	b5	b4	b3	b2	b1	b0	CONT (V <sub>PP</sub> )	G (dB)	POR Value
00	0	0	0	0	0	0	0	0	0	-	
01	0	0	0	0	0	0	0	1	0.015	-30	
02	0	0	0	0	0	0	1	0	0.031	-24	
04	0	0	0	0	0	1	0	0	0.062	-18	
08	0	0	0	0	1	0	0	0	0.125	-12	
10	0	0	0	1	0	0	0	0	0.25	-6	
20	0	0	1	0	0	0	0	0	0.5	0	
40	0	1	0	0	0	0	0	0	1	6	
80	1	0	0	0	0	0	0	0	2	12	
B4	1	0	1	1	0	1	0	0	2.812	15	X
FF	1	1	1	1	1	1	1	1	4	18	

**Output DC Level Register (R6)**

Hex	b7	b6	b5	b4	b3	b2	b1	b0	DC (V)	POR Value
03	0	0	0	0	0	0	1	1	0.52	
04	0	0	0	0	0	1	0	0	0.69	
08	0	0	0	0	1	0	0	0	1.35	X
0F	0	0	0	0	1	1	1	1	2.5	

Code 00Hex, 01Hex and 02Hex : not to be used

**OSD Contrast Register (R7)** (V<sub>OSD IN</sub> = 2.4V<sub>Min.</sub>, Drive at maximum)

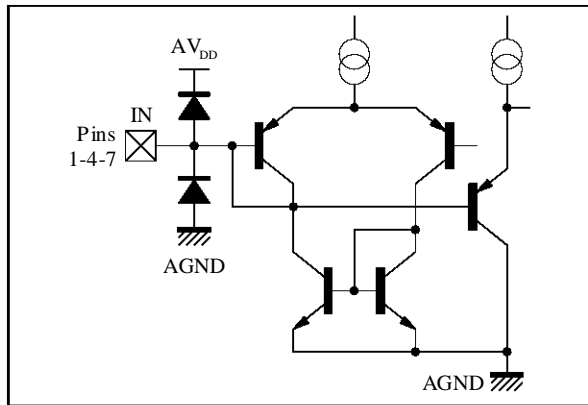
Hex	b7	b6	b5	b4	b3	b2	b1	b0	OSD (V)	G (dB)	POR Value
00	0	0	0	0	0	0	0	0	0	-	
01	0	0	0	0	0	0	0	1	0.312	-24	
02	0	0	0	0	0	0	1	0	0.625	-18	
04	0	0	0	0	0	1	0	0	1.25	-12	
08	0	0	0	0	1	0	0	0	2.5	-6	X
0F	0	0	0	0	1	1	1	1	4.68	0	

**BP and Miscellaneous Register (R8)**

b7	b6	b5	b4	b3	b2	b1	b0	Function	POR Value
							0	BP Source = HSYNC	X
							1	BP Source = BLK	
					0	0		BP Pulse Width = 0.33μs	
					0	1		BP Pulse Width = 0.66μs	
					1	0		BP Pulse Width = 1μs	X
					1	1		BP Pulse Width = 1.3μs	
			0	0				Test Purposes	X
		0	0	0				Soft Blanking OFF	X
		1	1	1				Soft Blanking ON	
	0							Semi Transparent OFF	X
	1							Semi Transparent ON	
								Unused	

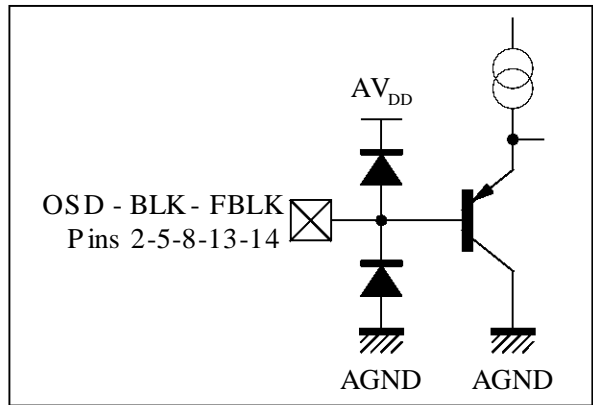
INTERNAL SCHEMATICS

Figure 7



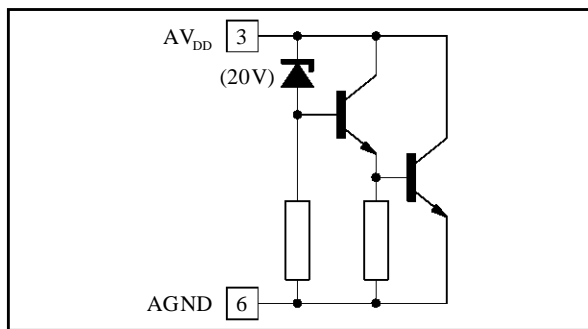
9206-10.EPS

Figure 8



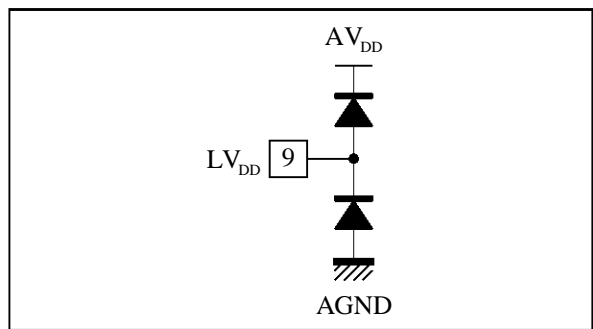
9206-11.EPS

Figure 9



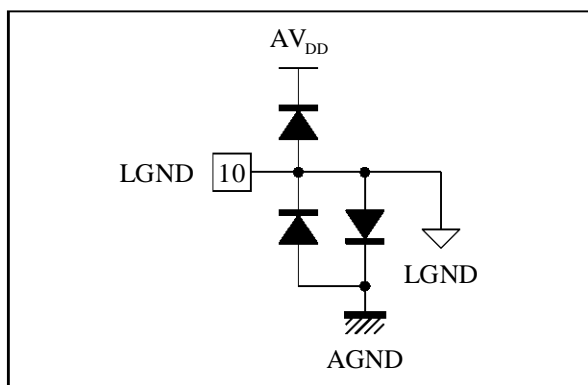
9206-12.EPS

Figure 10



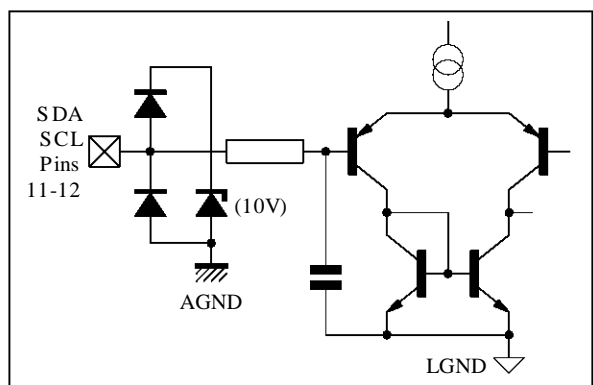
9206-13.EPS

Figure 11



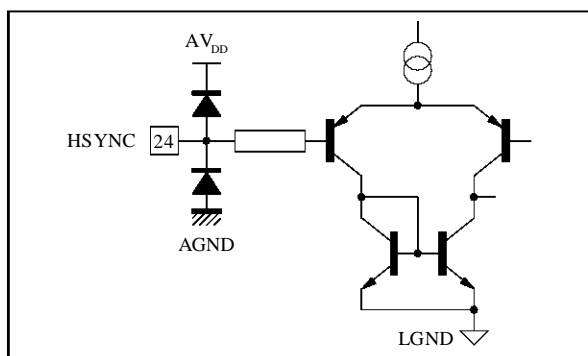
9206-14.EPS

Figure 12



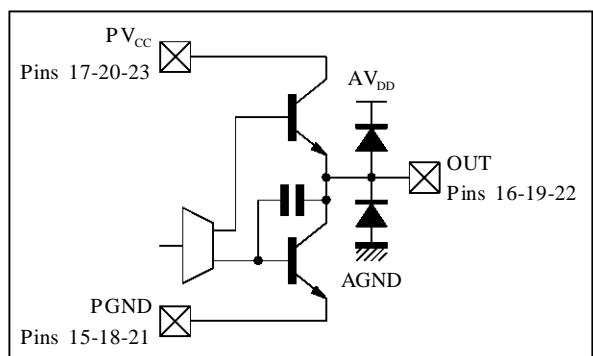
9206-15.EPS

Figure 13



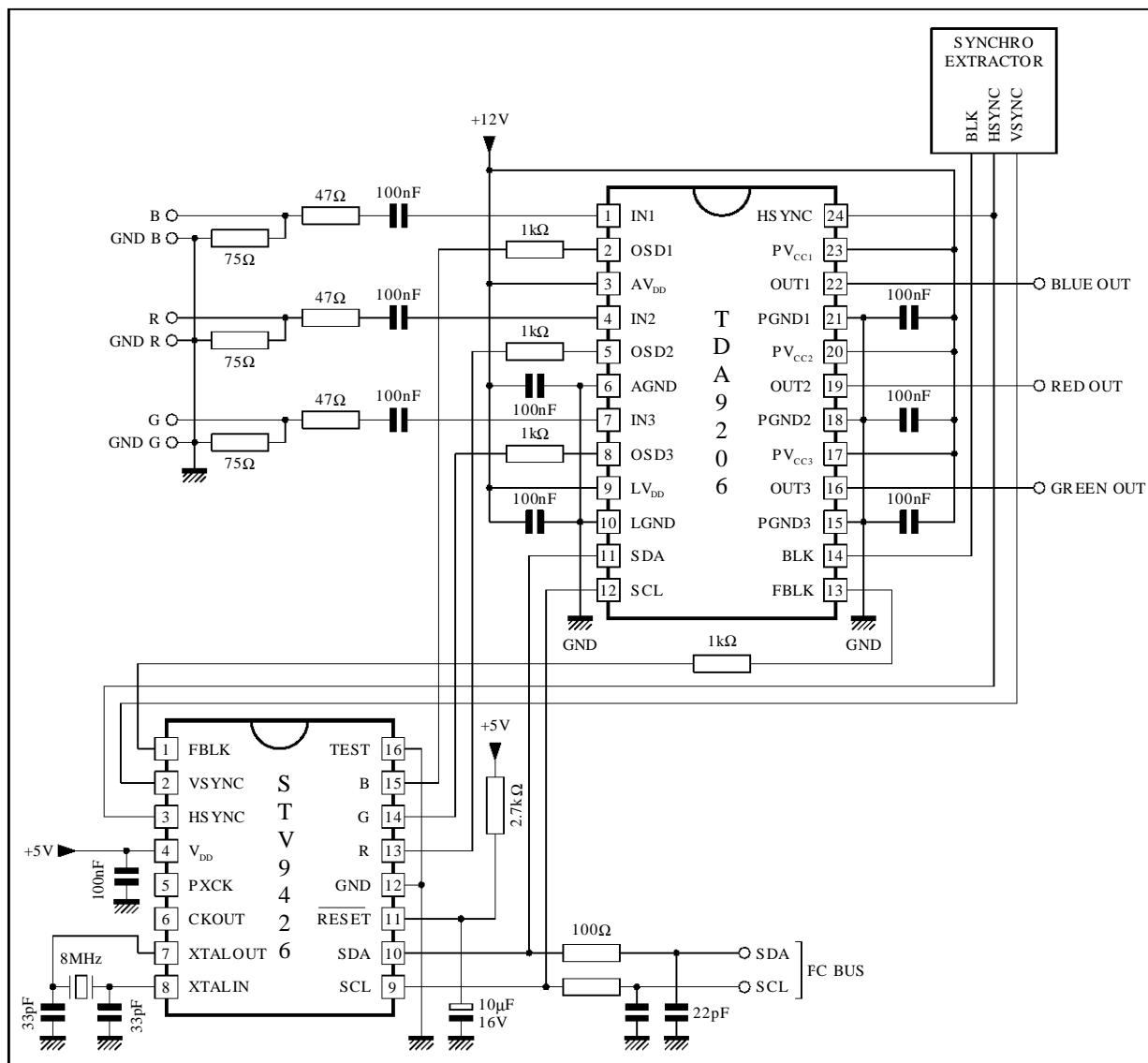
9206-16.EPS

Figure 14



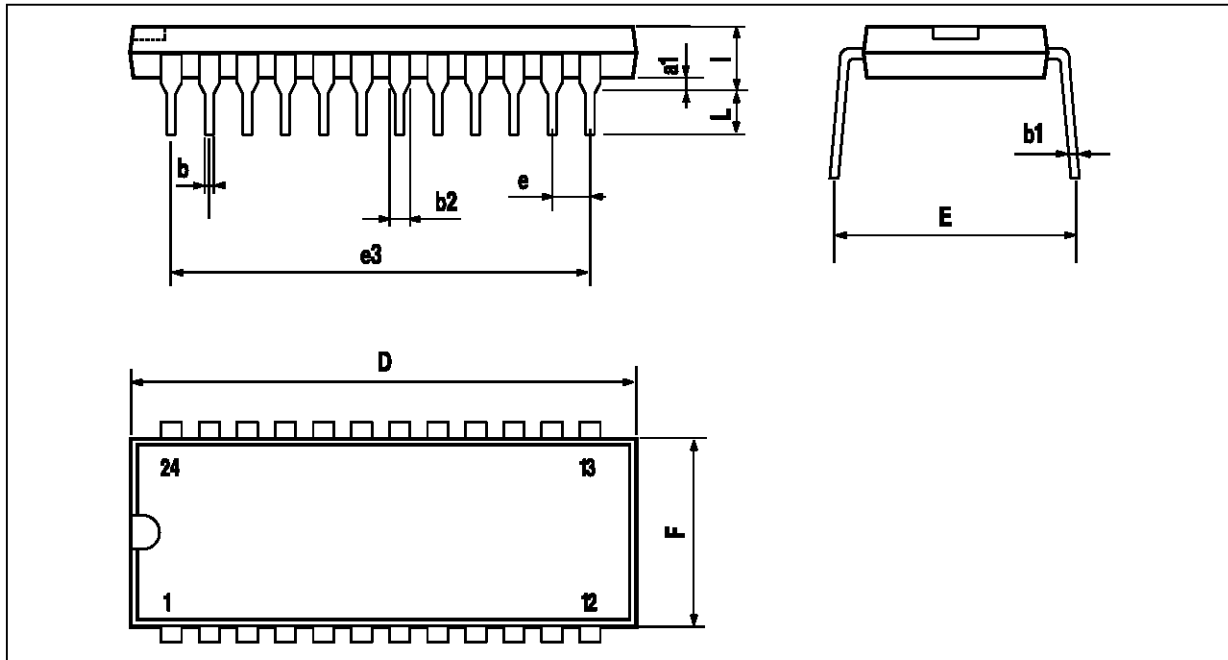
9206-17.EPS

APPLICATION DIAGRAM



9206-18.EPS

**PACKAGE MECHANICAL DATA**  
24 PINS - PLASTIC DIP



PM-DIP24.EPS

Dimensions	Millimeters			Inches		
	Min.	Typ.	Max.	Min.	Typ.	Max.
a1		0.63			0.025	
b		0.45			0.018	
b1	0.23		0.31	0.009		0.012
b2		1.27			0.050	
D			32.2			1.268
E	15.2		16.68	0.598		0.657
e		2.54			0.100	
e3		27.94			1.100	
F			14.1			0.555
i		4.445			0.175	
L		3.3			0.130	

DIP24.TBL

Information furnished is believed to be accurate and reliable. However, SGS-THOMSON Microelectronics assumes no responsibility for the consequences of use of such information nor for any infringement of patents or other rights of third parties which may result from its use. No licence is granted by implication or otherwise under any patent or patent rights of SGS-THOMSON Microelectronics. Specifications mentioned in this publication are subject to change without notice. This publication supersedes and replaces all information previously supplied. SGS-THOMSON Microelectronics products are not authorized for use as critical components in life support devices or systems without express written approval of SGS-THOMSON Microelectronics.

© 1996 SGS-THOMSON Microelectronics - All Rights Reserved

Purchase of I<sup>2</sup>C Components of SGS-THOMSON Microelectronics, conveys a license under the Philips I<sup>2</sup>C Patent. Rights to use these components in a I<sup>2</sup>C system, is granted provided that the system conforms to the I<sup>2</sup>C Standard Specifications as defined by Philips.

SGS-THOMSON Microelectronics GROUP OF COMPANIES

Australia - Brazil - Canada - China - France - Germany - Hong Kong - Italy - Japan - Korea - Malaysia - Malta - Morocco  
The Netherlands - Singapore - Spain - Sweden - Switzerland - Taiwan - Thailand - United Kingdom - U.S.A.