

# MICRO ELECTRONICS

MS241A-RD

MS241C-RD

0.4" TWO DIGIT  
NUMERIC DISPLAYS

## SEVEN SEGMENT NUMERIC DISPLAY

High Performance GaP red LED Dice

0.4 inch Character Height

High Contrast

Wide Viewing Angle

Common Anode - MS241A-RD

Common Cathode - MS241C-RD

## ABSOLUTE MAXIMUM RATINGS

Power Dissipation / Segment	50mW
Peak Forward Current / Segment	60mA
Continuous Forward Current / Segment	15mA
Reverse Voltage / Segment	5V
Operating Temperature Range	-25 to +85°C
Storage Temperature Range	-25 to +85°C

\* Note : Pulse Width = 1mS, Duty Ratio = 1/10.

## ELECTRO-OPTICAL CHARACTERISTICS (Ta=25°C)

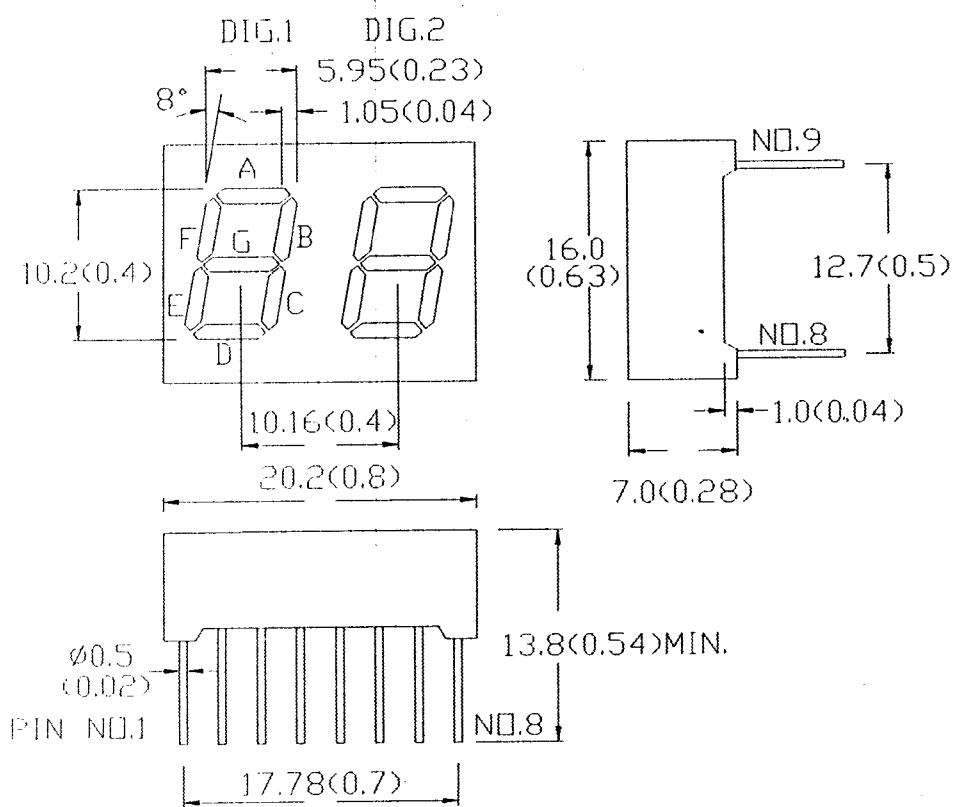
PARAMETER	SYMBOL	MIN	TYP	MAX	UNIT	CONDITIONS
Forward Voltage	V <sub>F</sub>			3.0	V	I <sub>F</sub> =20mA
Luminous Intensity	I <sub>V</sub>	200	300		μcd	I <sub>F</sub> =10mA
Segment to Segment Luminous Intensity Ratio				2:1		I <sub>F</sub> =20mA
Peak Wavelength	λ <sub>p</sub>		700		nm	I <sub>F</sub> =20mA
Spectral Line Half Width	Δλ		100		nm	I <sub>F</sub> =20mA



MICRO ELECTRONICS LTD.

38, Hung To Road, Microtron Building, Kwun Tong, Kowloon, Hong Kong.

Kwun Tong P.O. Box 69477 Hong Kong. Fax No. 2341 0321 Telex:43510 Micro Hx. Tel: 2343 0181-5



### CIRCUIT DIAGRAM

