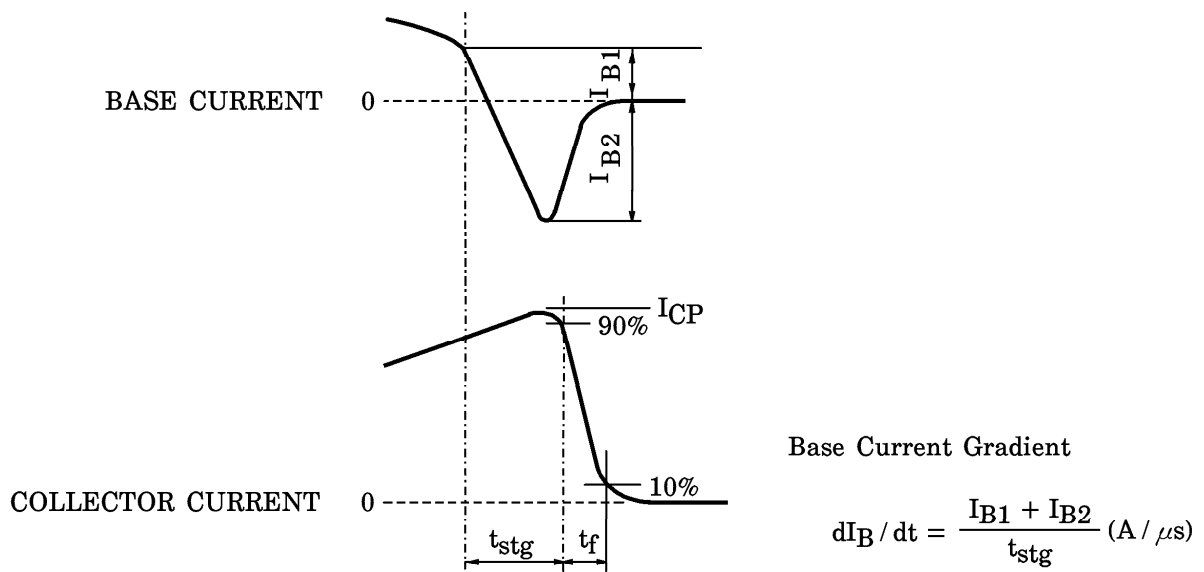
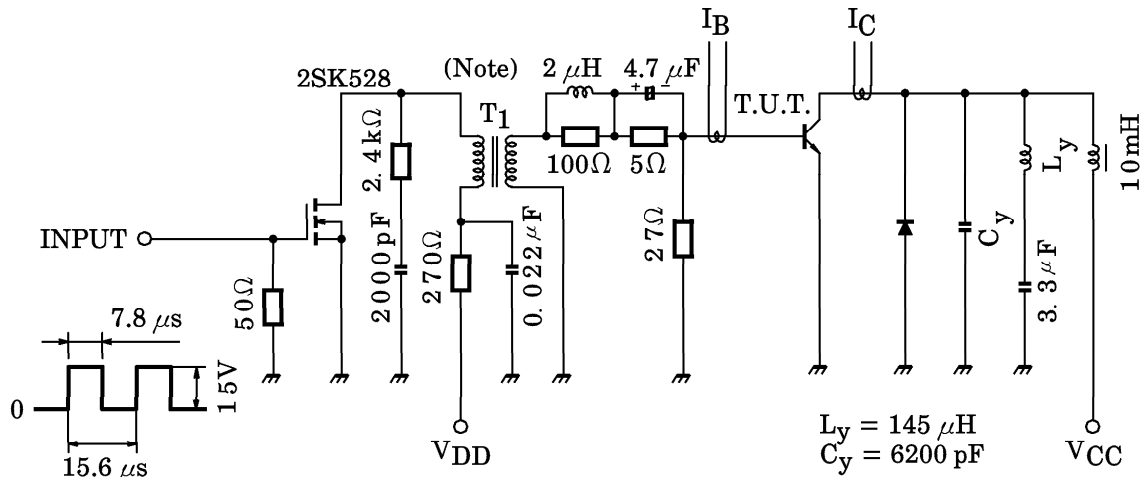




Fig.1 SWITCHING TIME TEST CIRCUIT



(Note) : Leakage Inductance of secondary winding LB is 1.2 μH

