



MOTOROLA

MC13060

Mini-Watt Audio Output

This device is a rugged and versatile power amplifier in a remarkable plastic power package.

- Supply Voltages from 6.0 Vdc to 35 Vdc
- 2.0 W Output @ 70°C Ambient on PC Board with Good Copper Ground Plane
- Self Protecting Thermal Shutdown
- Easy to Apply, Few Components
- Gain Externally Determined
- Output is Independent of Supply Voltage Over a Wide Range

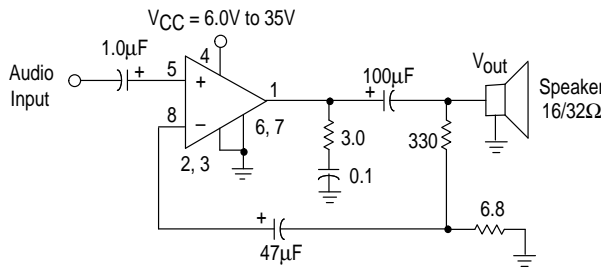
MINI-WATT AUDIO OUTPUT

SEMICONDUCTOR TECHNICAL DATA

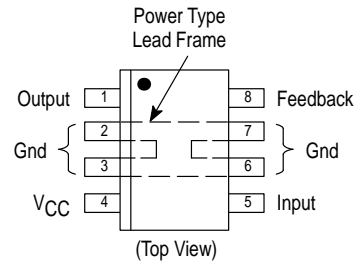


D SUFFIX
PLASTIC PACKAGE
CASE 751
(SOP-8)

Figure 1. Simplified Application



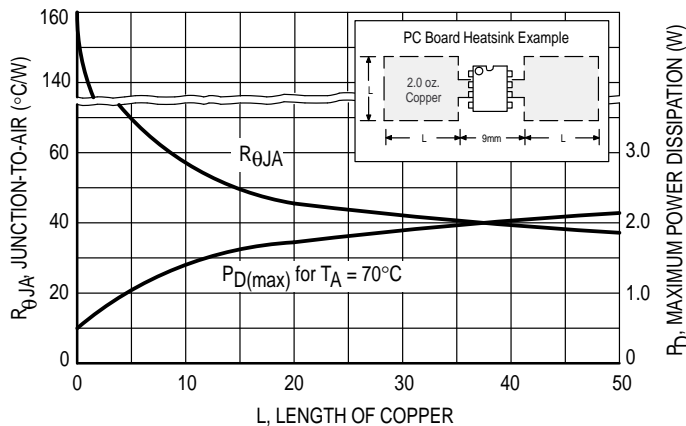
PIN CONNECTIONS



ORDERING INFORMATION

Device	Operating Temperature Range	Package
MC13060D	T _A = -40 to +85°C	SOP-8

Figure 2. Thermal Resistance & Maximum Power Dissipation versus PC Board Copper



MC13060

MAXIMUM RATINGS

Rating	Symbol	Value	Unit
Power Supply Voltage	V_{CC}	35	V
Audio Input, Pin 5		1.0	V_{pp}
Thermal Resistance, Junction to Air	$R_{\theta JA}$	160	$^{\circ}C/W$
Thermal Resistance, Junction to Case	$R_{\theta JC}$	25	$^{\circ}C/W$
Junction Temperature	T_J	150	$^{\circ}C$
Operating Ambient Temperature Range	T_A	-40 to +85	$^{\circ}C$
Storage Temperature Range	T_{stg}	-65 to +150	$^{\circ}C$

ELECTRICAL CHARACTERISTICS ($T_A = 25^{\circ}C$, circuit of Figure 3, unless otherwise noted.)

Characteristics	Symbol	Min	Typ	Max	Unit
AUDIO SECTION					
Power Supply Current, No Signal	I_{CC}	-	13	-	mAdc
Gain	A_o	-	50	-	V/V
Distortion at 62.5 mW Output, 1.0 kHz	THD	-	0.2	1.0	%
Distortion at 900 mW Output, 1.0 kHz	THD	-	0.5	3.0	%
Quiescent Output Voltage, No Signal	$V_{Pin 1}$	-	8.4	-	Vdc
Input Bias	$V_{Pin 5}, V_{Pin 8}$	-	0.7	-	Vdc
Input Resistance	$R_{in}, Pin 5$	-	28	-	$k\Omega$
Output Noise (50 Hz to 15 kHz) Input 50 Ω	V_{out}	-	0.5	4.0	mVrms

GENERAL DESCRIPTION

The MC13060 is a quasi-complementary audio power amplifier, mounted in the SOP 8 (power SOIC package). It is well suited to a variety of 1.0 W and 2.0 W applications in radio, TV, intercom, and other speaker driving tasks. It requires the usual external components for high frequency stability and for gain adjustment.

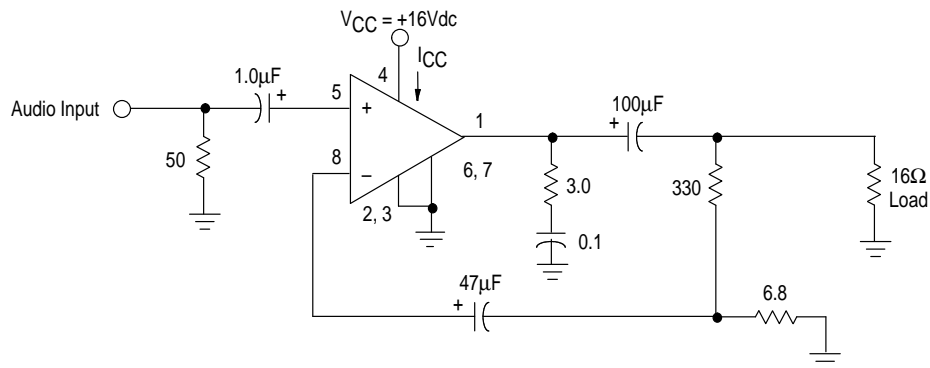
The output signal voltage and the power supply drain current are very linearly related, as shown in Figure 5. Both are quite constant over wide variation of the power supply voltage (above minimum V_{CC} for clipping, of course). The

amplifier can best be described as a voltage source with about 1.0 A_{pp} capability. On a good heatsink, it can deliver over 2.0 W at 70 $^{\circ}C$ ambient.

The MC13060 will automatically go into shutdown at a die temperature of about 150 $^{\circ}C$, effectively protecting itself, even on fairly stiff power supplies. This eliminates the need for decoupling the power supply, which degrades performance and requires extra components.

Input Pins 5 and 8 are internally biased at 0.7 Vdc and should not be driven below ground.

Figure 3. Test Circuit



All Curves Taken in the Test Circuit of Figure 3, Unless Otherwise Noted.

Figure 4. Quiescent Supply Current and Output Voltage versus Supply Voltage

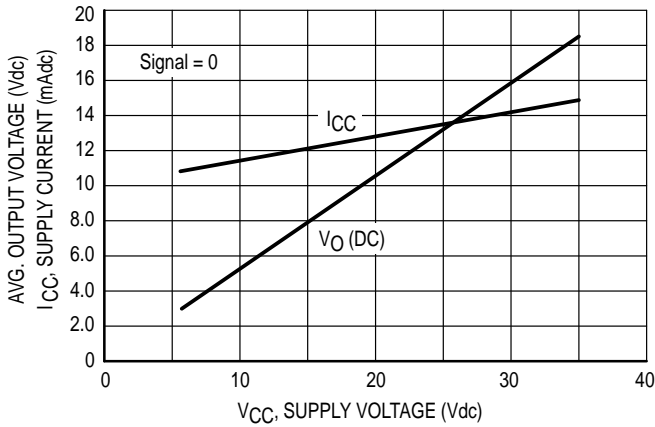


Figure 5. Supply Current versus Output

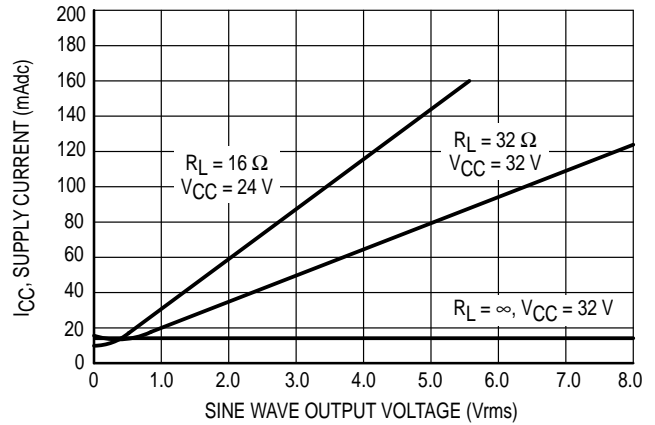


Figure 6. Distortion and Gain versus Frequency

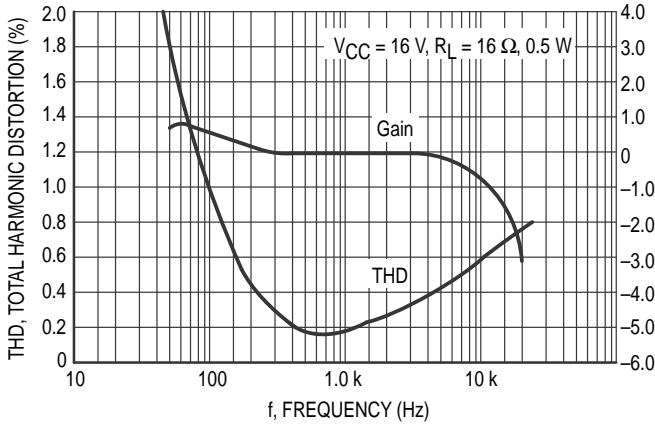


Figure 7. Distortion versus Power Output

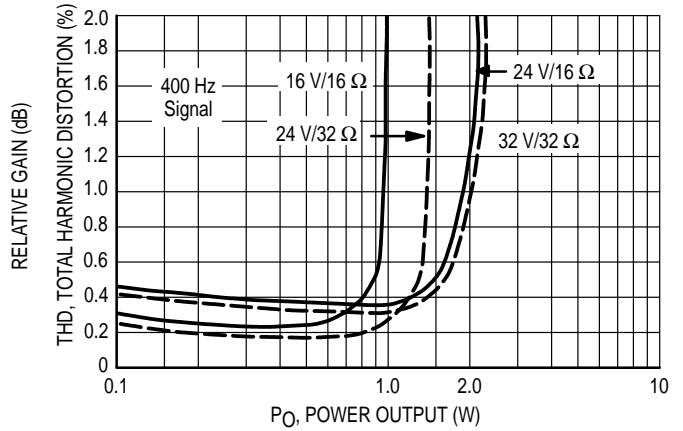


Figure 8. Dissipation versus Output Power

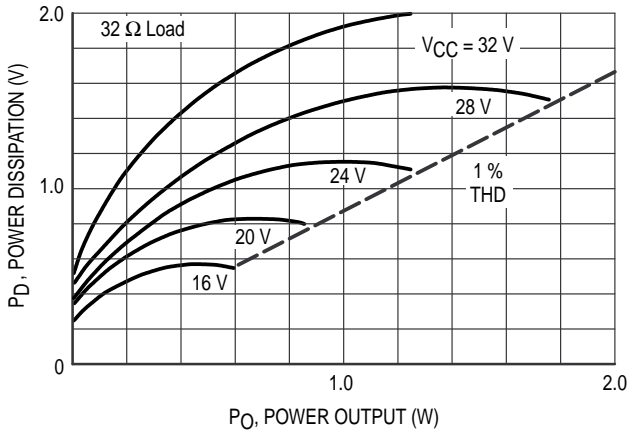
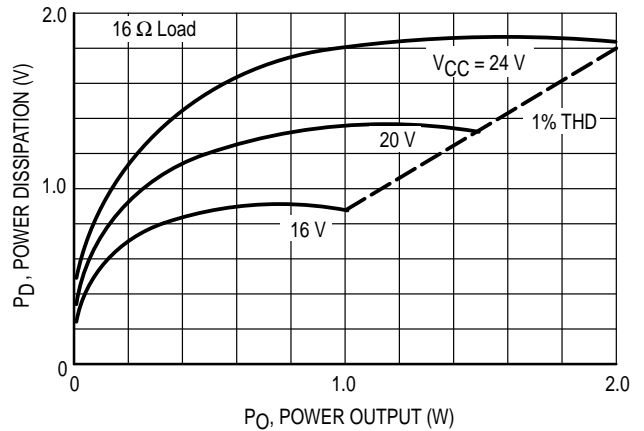
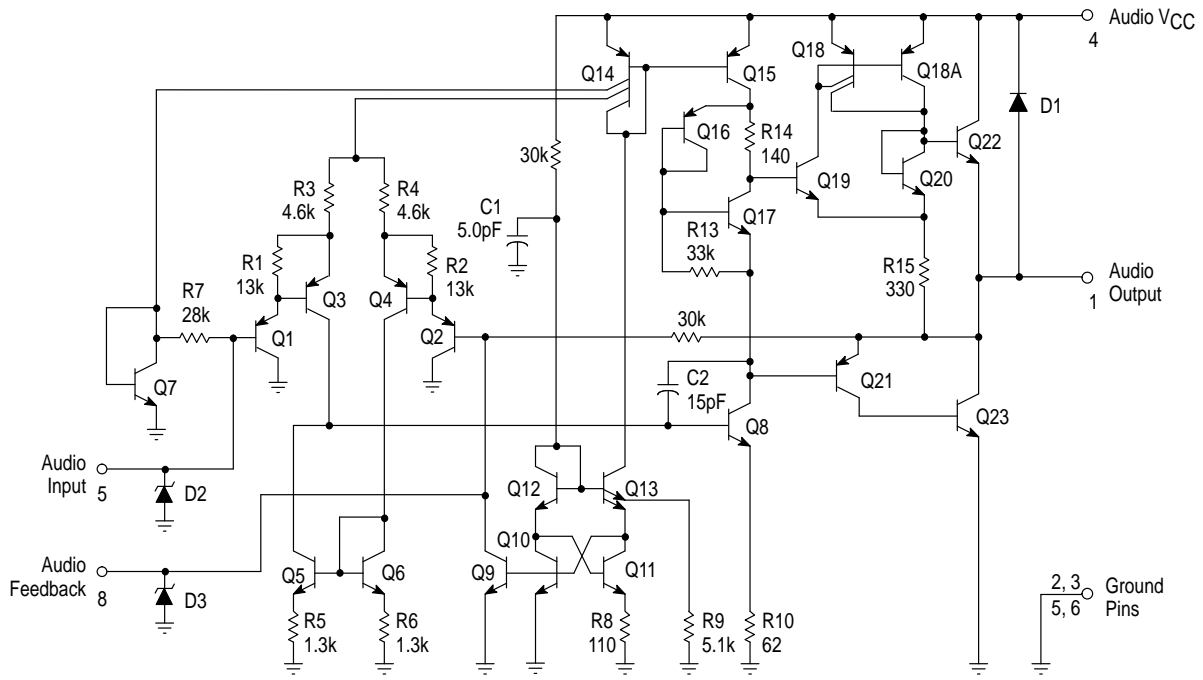


Figure 9. Dissipation versus Output Power



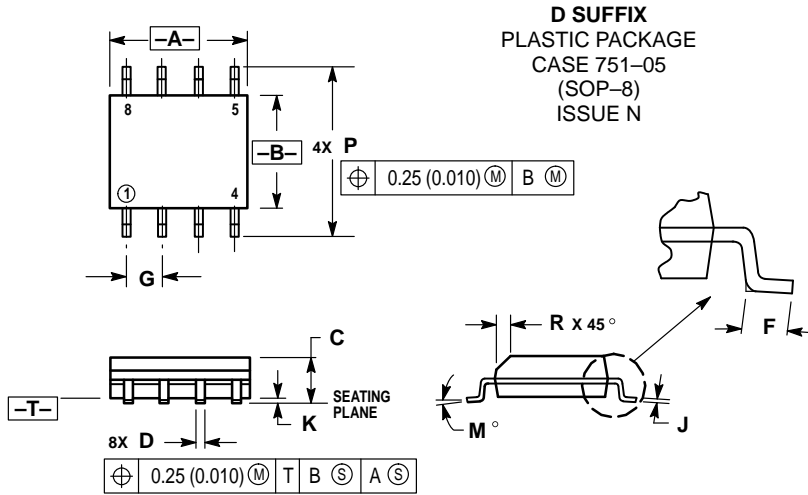
MC13060

Figure 10. Representative Schematic Diagram



MC13060


OUTLINE DIMENSIONS



- NOTES:
1. DIMENSIONING AND TOLERANCING PER ANSI Y14.5M, 1982.
 2. CONTROLLING DIMENSION: MILLIMETER.
 3. DIMENSIONS A AND B DO NOT INCLUDE MOLD PROTRUSION.
 4. MAXIMUM MOLD PROTRUSION 0.15 (0.006) PER SIDE.
 5. DIMENSION D DOES NOT INCLUDE DAMBAR PROTRUSION. ALLOWABLE DAMBAR PROTRUSION SHALL BE 0.127 (0.005) TOTAL IN EXCESS OF THE D DIMENSION AT MAXIMUM MATERIAL CONDITION.

DIM	MILLIMETERS		INCHES	
	MIN	MAX	MIN	MAX
A	4.80	5.00	0.189	0.196
B	3.80	4.00	0.150	0.157
C	1.35	1.75	0.054	0.068
D	0.35	0.49	0.014	0.019
F	0.40	1.25	0.016	0.049
G	1.27 BSC		0.050 BSC	
J	0.18	0.25	0.007	0.009
K	0.10	0.25	0.004	0.009
M	0° 7°		0° 7°	
P	5.80	6.20	0.229	0.244
R	0.25	0.50	0.010	0.019

MC13060

Motorola reserves the right to make changes without further notice to any products herein. Motorola makes no warranty, representation or guarantee regarding the suitability of its products for any particular purpose, nor does Motorola assume any liability arising out of the application or use of any product or circuit, and specifically disclaims any and all liability, including without limitation consequential or incidental damages. "Typical" parameters which may be provided in Motorola data sheets and/or specifications can and do vary in different applications and actual performance may vary over time. All operating parameters, including "Typicals" must be validated for each customer application by customer's technical experts. Motorola does not convey any license under its patent rights nor the rights of others. Motorola products are not designed, intended, or authorized for use as components in systems intended for surgical implant into the body, or other applications intended to support or sustain life, or for any other application in which the failure of the Motorola product could create a situation where personal injury or death may occur. Should Buyer purchase or use Motorola products for any such unintended or unauthorized application, Buyer shall indemnify and hold Motorola and its officers, employees, subsidiaries, affiliates, and distributors harmless against all claims, costs, damages, and expenses, and reasonable attorney fees arising out of, directly or indirectly, any claim of personal injury or death associated with such unintended or unauthorized use, even if such claim alleges that Motorola was negligent regarding the design or manufacture of the part. Motorola and  registered trademarks of Motorola, Inc. Motorola, Inc. is an Equal Opportunity/Affirmative Action Employer.

How to reach us:

USA/EUROPE/Locations Not Listed: Motorola Literature Distribution;
P.O. Box 20912; Phoenix, Arizona 85036. 1-800-441-2447 or 602-303-5454

MFAX: RMFAX0@email.sps.mot.com – TOUCHTONE 602-244-6609
INTERNET: <http://Design-NET.com>

JAPAN: Nippon Motorola Ltd.; Tatsumi-SPD-JLDC, 6F Seibu-Butsuryu-Center,
3-14-2 Tatsumi Koto-Ku, Tokyo 135, Japan. 03-81-3521-8315

ASIA/PACIFIC: Motorola Semiconductors H.K. Ltd.; 8B Tai Ping Industrial Park,
51 Ting Kok Road, Tai Po, N.T., Hong Kong. 852-26629298



MOTOROLA



MC13060/D

