

Terminal Voltage $\pm 5V$, 32 Taps, Log Taper

X9314

E²POT™ Nonvolatile Digital Potentiometer

FEATURES

- **Low Power CMOS**
 - $V_{CC} = 3V$ to $5.5V$
 - Active Current, $3mA$ Max
 - Standby Current, $500\mu A$ Max
- **31 Resistive Elements**
 - Temperature Compensated
 - $\pm 20\%$ End to End Resistance Range
 - $-5V$ to $+5V$ Range
- **32 Wiper Tap Points**
 - Wiper Positioned via Three-Wire Interface
 - Similar to TTL Up/Down Counter
 - Wiper Position Stored in Nonvolatile Memory and Recalled on Power-Up
- **100 Year Wiper Position Data Retention**
- **X9314W = $10K\Omega$**
- **Packages**
 - 8-Lead MSOP
 - 8-Lead PDIP
 - 8-Lead SOIC

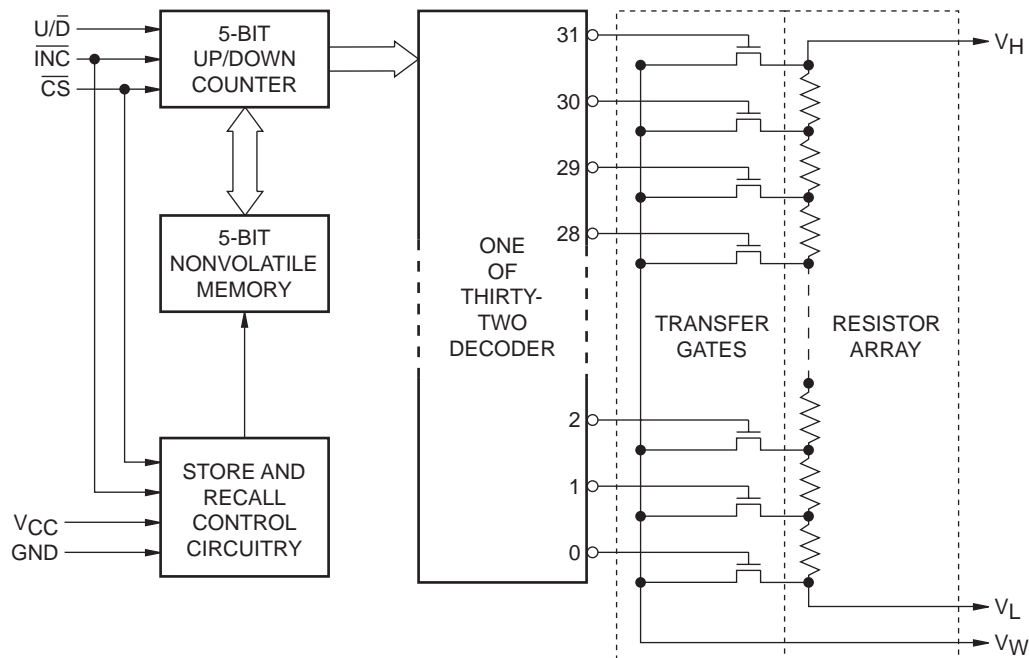
DESCRIPTION

The Xicor X9314 is a solid state nonvolatile potentiometer and is ideal for digitally controlled resistance trimming.

The X9314 is a resistor array composed of 31 resistive elements. Between each element and at either end are tap points accessible to the wiper element. The position of the wiper element is controlled by the \overline{CS} , U/\overline{D} , and \overline{INC} inputs. The position of the wiper can be stored in nonvolatile memory and then be recalled upon a subsequent power-up operation.

All Xicor nonvolatile Digitally Controlled Potentiometers are designed and tested for applications requiring extended endurance and data retention.

FUNCTIONAL DIAGRAM



6427 FHD F01

X9314

PIN DESCRIPTIONS

V_H and V_L

The high (V_H) and low (V_L) terminals of the X9314 are equivalent to the fixed terminals of a mechanical potentiometer. The minimum voltage is $-5V$ and the maximum is $+5V$. It should be noted that the terminology of V_L and V_H references the relative position of the terminal in relation to wiper movement direction selected by the U/\bar{D} input and not the voltage potential on the terminal.

V_W

V_W is the wiper terminal, equivalent to the movable terminal of a mechanical potentiometer. The position of the wiper within the array is determined by the control inputs. The wiper terminal series resistance is typically 40Ω .

Up/Down (U/\bar{D})

The U/\bar{D} input controls the direction of the wiper movement and whether the counter is incremented or decremented.

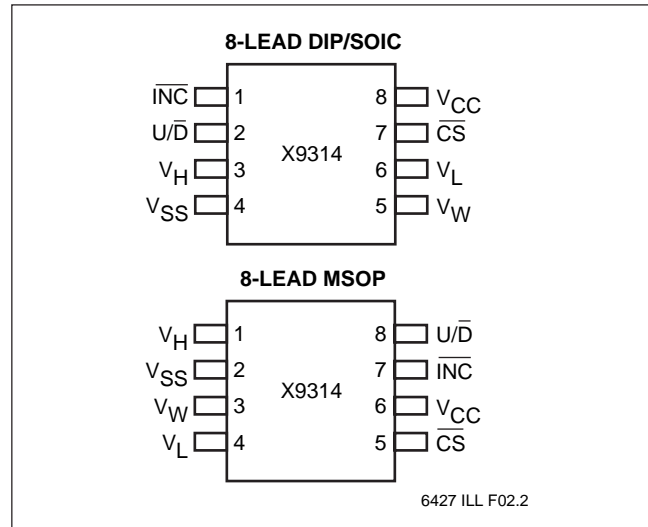
Increment (\bar{INC})

The \bar{INC} input is negative-edge triggered. Toggling \bar{INC} will move the wiper and either increment or decrement the counter in the direction indicated by the logic level on the U/\bar{D} input.

Chip Select (\bar{CS})

The device is selected when the \bar{CS} input is LOW. The current counter value is stored in nonvolatile memory when \bar{CS} is returned HIGH while the \bar{INC} input is also HIGH. After the store operation is complete the X9314 will be placed in the low power standby mode until the device is selected once again.

PIN CONFIGURATION

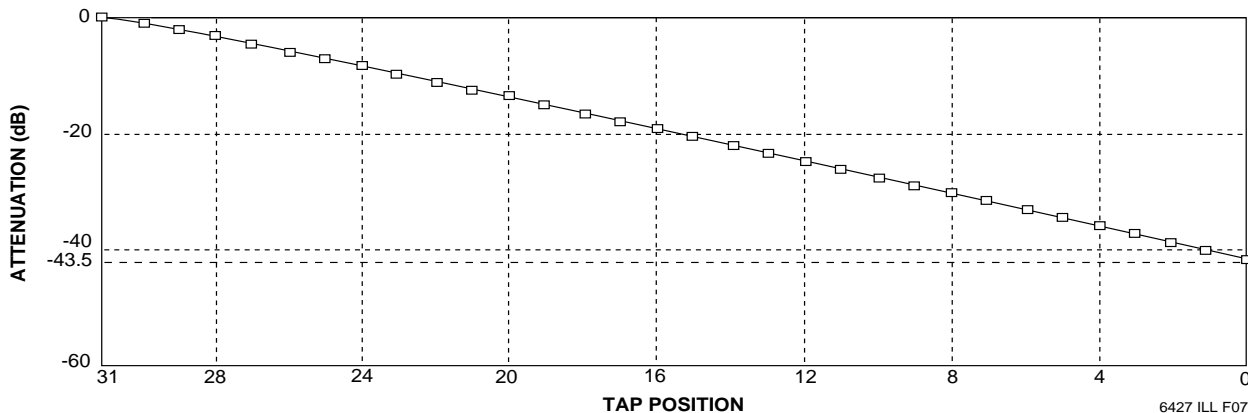


PIN NAMES

| Symbol | Description |
|-------------|-------------------|
| V_H | High Terminal |
| V_W | Wiper Terminal |
| V_L | Low Terminal |
| V_{SS} | Ground |
| V_{CC} | Supply Voltage |
| U/\bar{D} | Up/Down Input |
| \bar{INC} | Increment Input |
| \bar{CS} | Chip Select Input |

6427 PGM T01

Typical Attenuation Characteristics (dB)



6427 ILL F07

X9314

DEVICE OPERATION

There are three sections of the X9314: the input control, counter and decode section; the nonvolatile memory; and the resistor array. The input control section operates just like an up/down counter. The output of this counter is decoded to turn on a single electronic switch connecting a point on the resistor array to the wiper output. Under the proper conditions the contents of the counter can be stored in nonvolatile memory and retained for future use. The resistor array is comprised of 31 individual resistors connected in series. At either end of the array and between each resistor is an electronic switch that transfers the potential at that point to the wiper.

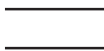




The \overline{INC} , U/\overline{D} and \overline{CS} inputs control the movement of the wiper along the resistor array. With \overline{CS} set LOW the X9314 is selected and enabled to respond to the U/\overline{D} and \overline{INC} inputs. HIGH to LOW transitions on \overline{INC} will increment or decrement (depending on the state of the U/\overline{D} input) a five bit counter. The output of this counter is decoded to select one of thirty-two wiper positions along the resistive array.

The wiper, when at either fixed terminal, acts like its mechanical equivalent and does not move beyond the last position. That is, the counter does not wrap around when clocked to either extreme.

The value of the counter is stored in nonvolatile memory whenever \overline{CS} transitions HIGH while the \overline{INC} input is also HIGH.

When the X9314 is powered-down, the last counter position stored will be maintained in the nonvolatile memory. When power is restored, the contents of the memory are recalled and the counter is reset to the value last stored.

SYMBOL TABLE

| WAVEFORM | INPUTS | OUTPUTS |
|---|-----------------------------|-------------------------------|
|  | Must be steady | Will be steady |
|  | May change from LOW to HIGH | Will change from LOW to HIGH |
|  | May change from HIGH to LOW | Will change from HIGH to LOW |
|  | Don't Care: Changes Allowed | Changing: State Not Known |
|  | N/A | Center Line is High Impedance |

Operation Notes

The system may select the X9314, move the wiper and deselect the device without having to store the latest wiper position in nonvolatile memory. The wiper movement is performed as described above; once the new position is reached, the system would keep the \overline{INC} LOW while taking \overline{CS} HIGH. The new wiper position would be maintained until changed by the system or until a power-up/down cycle recalled the previously stored data.

This would allow the system to always power-up to a preset value stored in nonvolatile memory; then during system operation minor adjustments could be made. The adjustments might be based on user preference, system parameter changes due to temperature drift, etc...

The state of U/\overline{D} may be changed while \overline{CS} remains LOW. This allows the host system to enable the X9314 and then move the wiper up and down until the proper trim is attained.

T_{IW}/R_{TOTAL}

The electronic switches on the X9314 operate in a "make before break" mode when the wiper changes tap positions. If the wiper is moved several positions multiple taps are connected to the wiper for t_{IW} (\overline{INC} to V_W change). The R_{TOTAL} value for the device can temporarily be reduced by a significant amount if the wiper is moved several positions.

R_{TOTAL} with V_{CC} Removed

The end to end resistance of the array will fluctuate once V_{CC} is removed.

X9314

ABSOLUTE MAXIMUM RATINGS*

Temperature under Bias -65°C to +135°C
 Storage Temperature -65°C to +150°C
 Voltage on \overline{CS} , \overline{INC} , U/\overline{D} and V_{CC}
 with Respect to V_{SS} -1V to +7V
 Voltage on V_H and V_L
 Referenced to V_{SS} -8V to +8V
 $\Delta V = |V_H - V_L|$
 X9314W 10V
 Lead Temperature (Soldering 10 seconds) 300°C
 Wiper Current $\pm 1\text{mA}$

*COMMENT

Stresses above those listed under “Absolute Maximum Ratings” may cause permanent damage to the device. This is a stress rating only and the functional operation of the device at these or any other conditions above those listed in the operational sections of this specification is not implied. Exposure to absolute maximum rating conditions for extended periods may affect device reliability.

ANALOG CHARACTERISTICS

Electrical Characteristics

End-to-End Resistance Tolerance $\pm 20\%$
 Power Rating at 25°C
 X9314W 10mW
 Wiper Current $\pm 1\text{mA Max.}$
 Typical Wiper Resistance 40Ω at 1mA
 Typical Noise $< -120\text{dB}/\sqrt{\text{Hz}}$ Ref: 1V

Relative Variation

Relative variation is a measure of the error in step size between taps = $\log(V_{w(n)}) - \log(V_{w(n-1)}) = 0.07 \pm 0.003$ for tap $n = 2 - 31$

Temperature Coefficient

(-40°C to +85°C)
 X9314W +600 ppm/°C Typical
 Ratiometric Temperature Coefficient ± 20 ppm

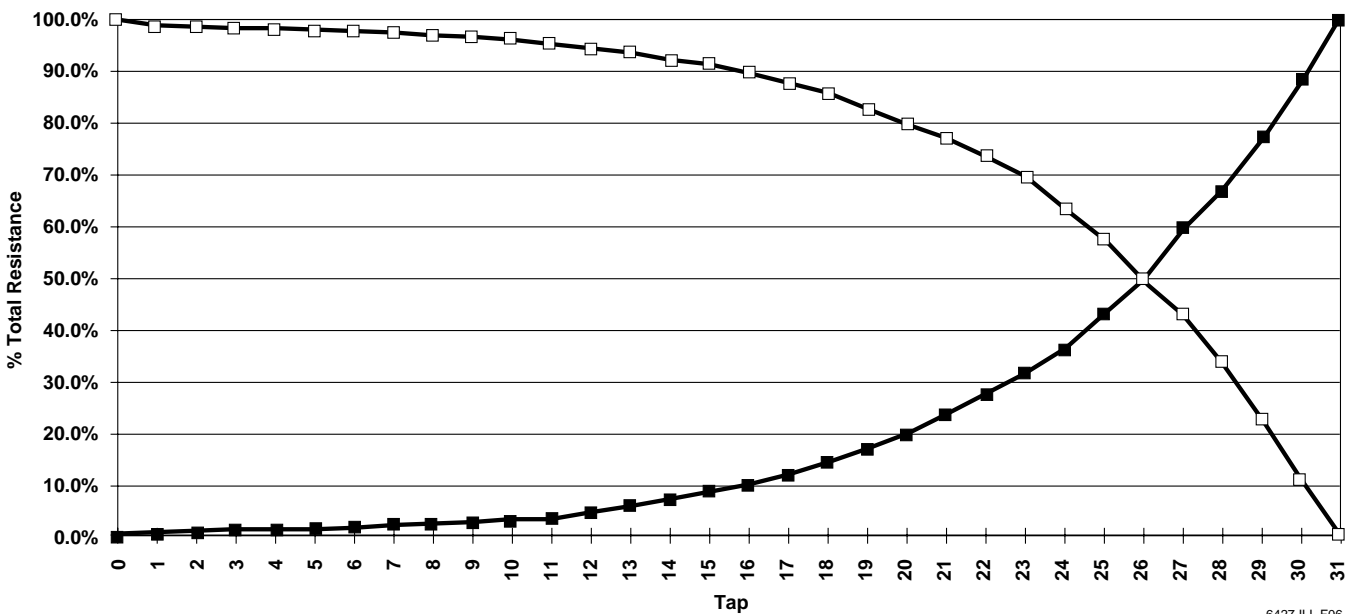
Wiper Adjustability

Unlimited Wiper Adjustment (Non-Store operation)
 Wiper Position Store Operations 100,000
 Data Changes

Physical Characteristics

Marking Includes
 Manufacturer's Trademark
 Resistance Value or Code
 Date Code

Typical Electrical Taper



6427 ILL F06

X9314

RECOMMENDED OPERATING CONDITIONS

| Temperature | Min. | Max. |
|-------------|-------|--------|
| Commercial | 0°C | +70°C |
| Industrial | -40°C | +85°C |
| Military | -55°C | +125°C |

6427 PGM T03.1

| Supply Voltage | Limits |
|----------------|------------|
| X9314 | 5V ±10% |
| X9314-3 | 3V to 5.5V |

6427 PGM T04.1

D.C. OPERATING CHARACTERISTICS (Over recommended operating conditions unless otherwise specified.)

| Symbol | Parameter | Limits | | | Units | Test Conditions |
|--------------------------------|---|--------|---------------------|---------------------|-------|--|
| | | Min. | Typ. ⁽⁴⁾ | Max. | | |
| I _{CC} | V _{CC} Active Current | | 1 | 3 | mA | $\overline{CS} = V_{IL}$, $U/\overline{D} = V_{IL}$ or V_{IH} and $\overline{INC} = 0.4V/2.4V$ @ max. t_{CYC} |
| I _{SB} | Standby Supply Current | | | 500 | μA | $\overline{CS} = V_{CC} - 0.3V$, U/\overline{D} and $\overline{INC} = V_{SS}$ or $V_{CC} - 0.3V$ |
| I _{LI} | \overline{CS} , \overline{INC} , U/\overline{D} Input Leakage Current | | | ±10 | μA | $V_{IN} = V_{SS}$ to V_{CC} |
| V _{IH} | \overline{CS} , \overline{INC} , U/\overline{D} Input HIGH Voltage | 2 | | V _{CC} + 1 | V | |
| V _{IL} | \overline{CS} , \overline{INC} , U/\overline{D} Input LOW Voltage | -1 | | 0.8 | V | |
| R _W | Wiper Resistance | | 40 | 100 | Ω | Max. Wiper Current ±1mA |
| V _{VH} | VH Terminal Voltage | -5 | | +5 | V | |
| V _{VL} | VL Terminal Voltage | -5 | | +5 | V | |
| C _{IN} ⁽⁵⁾ | \overline{CS} , \overline{INC} , U/\overline{D} Input Capacitance | | | 10 | pF | $V_{CC} = 5V$, $V_{IN} = V_{SS}$, $T_A = 25^\circ C$, $f = 1MHz$ |

6427 PGM T05.3

STANDARD PARTS

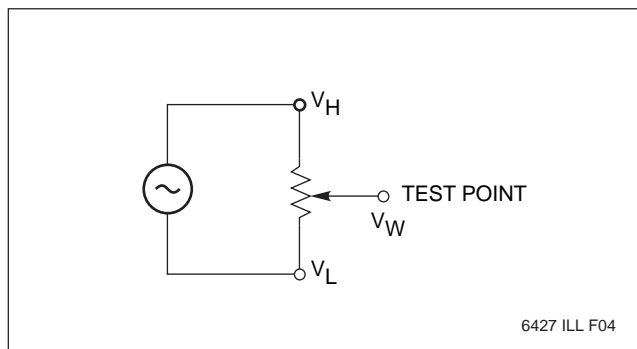
| Part Number | Maximum Resistance | Wiper Increments | Minimum Resistance |
|-------------|--------------------|------------------|--------------------|
| X9314W | 10KΩ | Log Taper | 40Ω |

6427 PGM T08.1

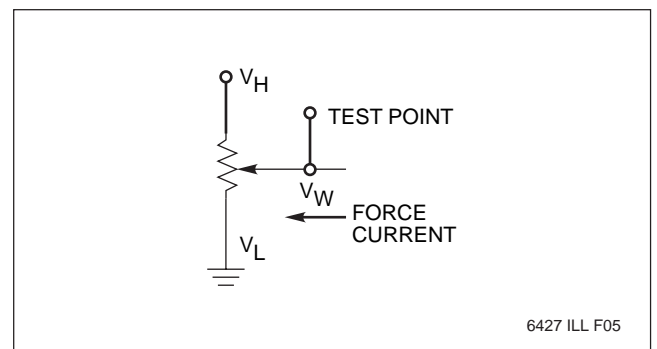
Notes: (4) Typical values are for $T_A = 25^\circ C$ and nominal supply voltage.

(5) This parameter is periodically sampled and not 100% tested.

Test Circuit #1



Test Circuit #2



X9314

A.C. CONDITIONS OF TEST

| | |
|---------------------------|----------|
| Input Pulse Levels | 0V to 3V |
| Input Rise and Fall Times | 10ns |
| Input Reference Levels | 1.5V |

6427 PGM T05.1

MODE SELECTION

| \overline{CS} | \overline{INC} | U/\overline{D} | Mode |
|-----------------|------------------|------------------|-----------------------------|
| L | λ | H | Wiper Up |
| L | λ | L | Wiper Down |
| f | H | X | Store Wiper Position |
| H | X | X | Standby |
| f | L | X | No Store, Return to Standby |

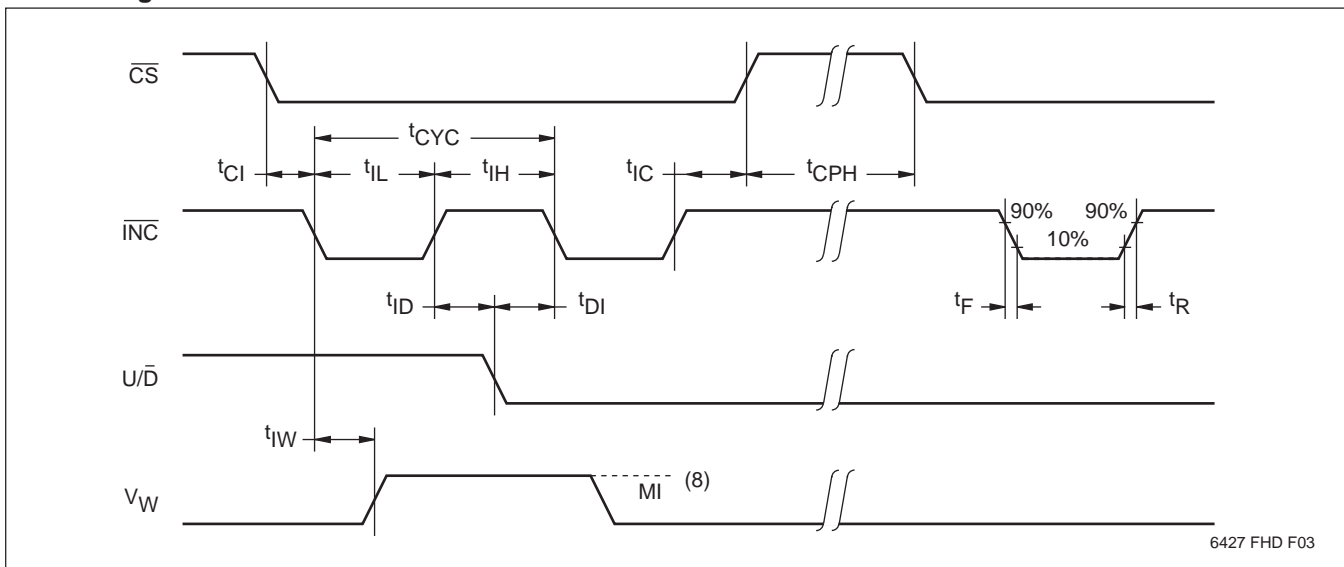
6427 PGM T06

A.C. OPERATING CHARACTERISTICS (Over recommended operating conditions unless otherwise specified)

| Symbol | Parameter | Limits | | | Units |
|------------------|---|--------|---------|------|-------------|
| | | Min. | Typ.(6) | Max. | |
| t_{CI} | \overline{CS} to \overline{INC} Setup | 100 | | | ns |
| t_{ID} | \overline{INC} HIGH to U/\overline{D} Change | 100 | | | ns |
| t_{DI} | U/\overline{D} to \overline{INC} Setup | 2.9 | | | μ s |
| t_{IL} | \overline{INC} LOW Period | 1 | | | μ s |
| t_{IH} | \overline{INC} HIGH Period | 1 | | | μ s |
| t_{IC} | \overline{INC} Inactive to \overline{CS} Inactive | 1 | | | μ s |
| t_{CPH} | \overline{CS} Deselect Time | 20 | | | ms |
| t_{IW} | \overline{INC} to V_W Change | | 100 | 500 | μ s |
| t_{CYC} | \overline{INC} Cycle Time | 4 | | | μ s |
| $t_R, t_F^{(7)}$ | \overline{INC} Input Rise and Fall Time | | | 500 | μ s |
| $t_{PU}^{(7)}$ | Power up to Wiper Stable | | | 500 | μ s |
| $t_R V_{CC}$ | V_{CC} Power-up Rate | 0.2 | | 50 | mV/ μ s |

6427 PGM T07.3

A.C. Timing



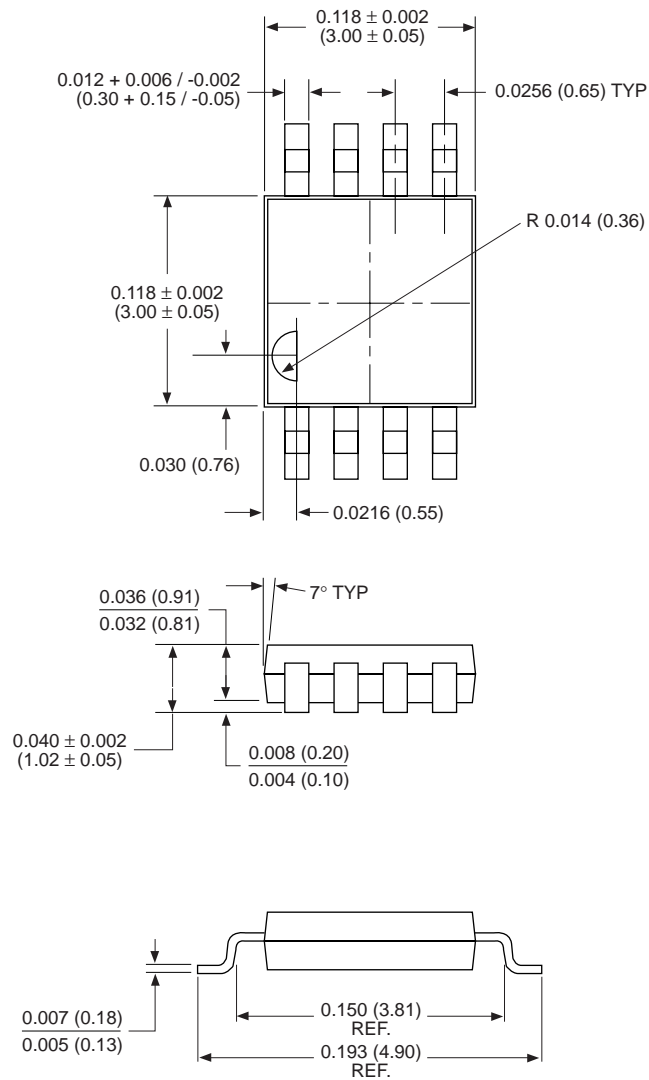
6427 FHD F03

- Notes:** (6) Typical values are for $T_A = 25^\circ\text{C}$ and nominal supply voltage.
 (7) This parameter is periodically sampled and not 100% tested.
 (8) MI in the A.C. timing diagram refers to the minimum incremental change in the V_W output due to a change in the wiper position.

X9314

PACKAGING INFORMATION

8-LEAD MINIATURE SMALL OUTLINE GULL WING PACKAGE TYPE M



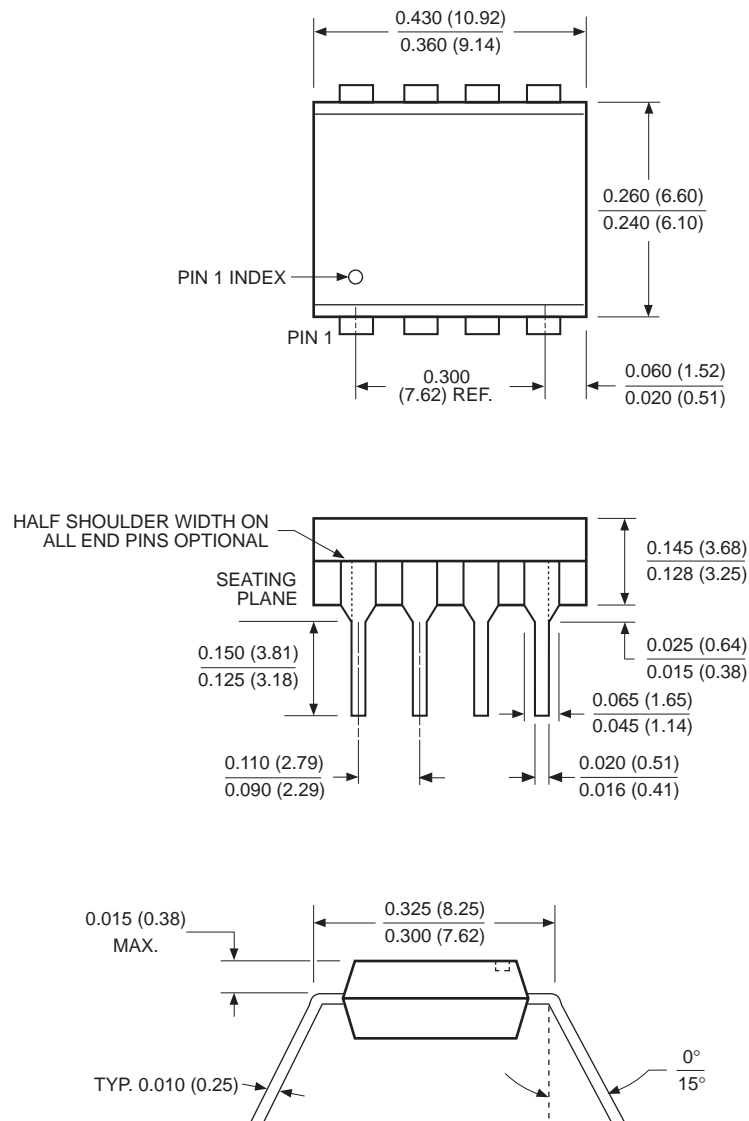
NOTE:
1. ALL DIMENSIONS IN INCHES AND (MILLIMETERS)

3003 ILL 01

X9314

PACKAGING INFORMATION

8-LEAD PLASTIC DUAL IN-LINE PACKAGE TYPE P



NOTE:

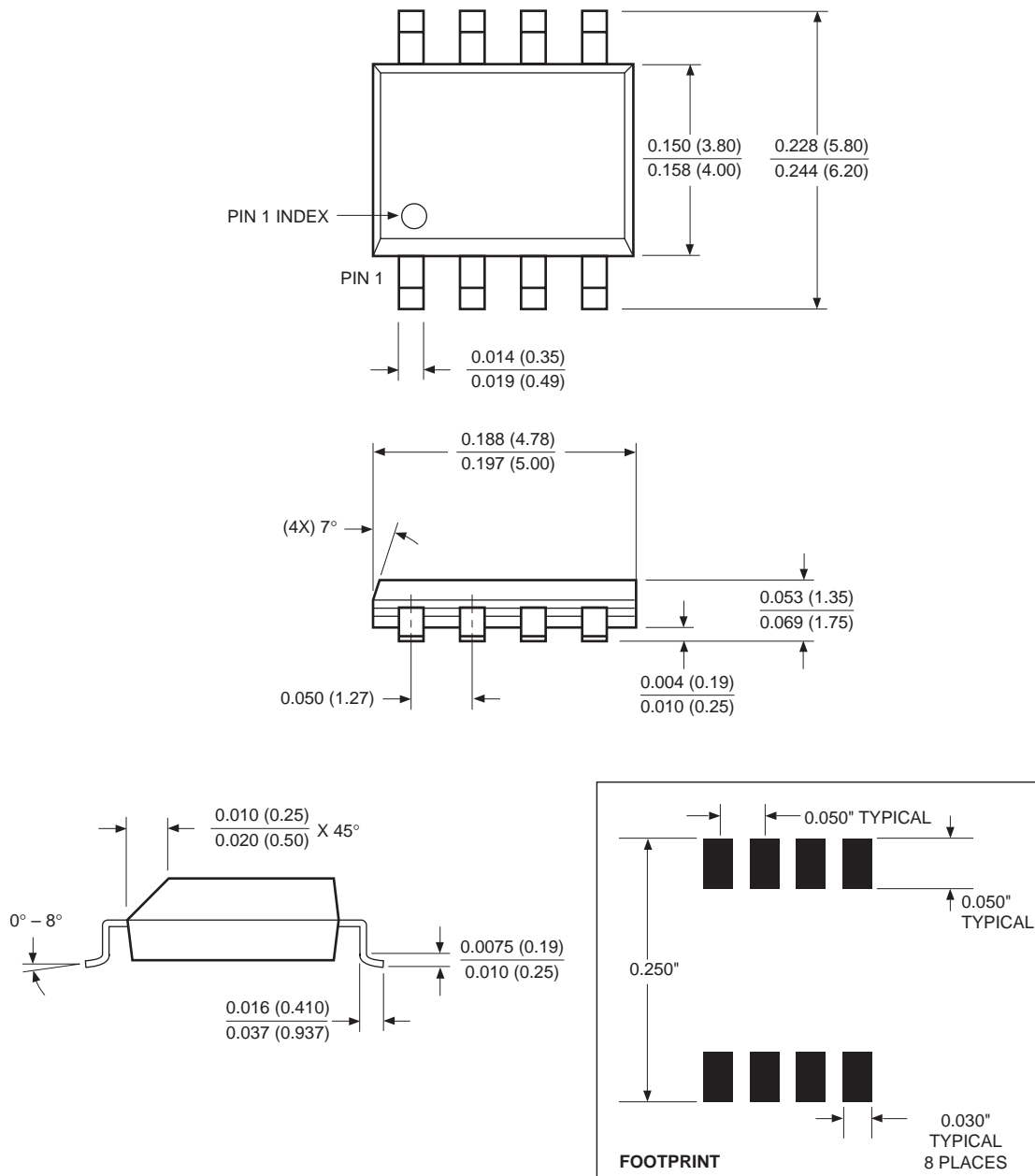
1. ALL DIMENSIONS IN INCHES (IN PARENTHESES IN MILLIMETERS)
2. PACKAGE DIMENSIONS EXCLUDE MOLDING FLASH

3926 FHD F01

X9314

PACKAGING INFORMATION

8-LEAD PLASTIC SMALL OUTLINE GULL WING PACKAGE TYPE S



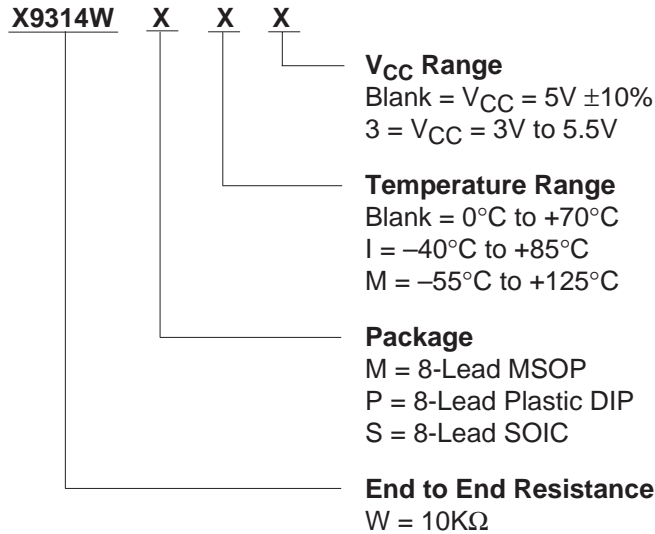
NOTE: ALL DIMENSIONS IN INCHES (IN PARENTHESES IN MILLIMETERS)

3926 FHD F22.1

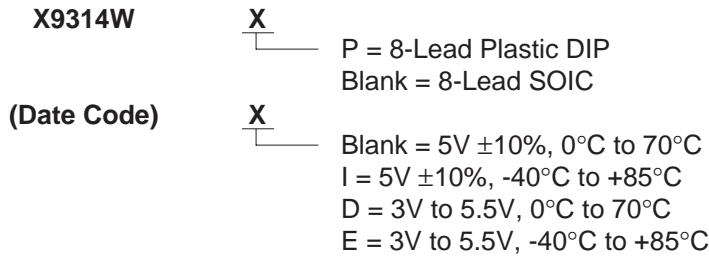
X9314

ORDERING INFORMATION

X9314 E²POT 10K Ohms, Log Taper



Part Mark Convention



LIMITED WARRANTY

Devices sold by Xicor, Inc. are covered by the warranty and patent indemnification provisions appearing in its Terms of Sale only. Xicor, Inc. makes no warranty, express, statutory, implied, or by description regarding the information set forth herein or regarding the freedom of the described devices from patent infringement. Xicor, Inc. makes no warranty of merchantability or fitness for any purpose. Xicor, Inc. reserves the right to discontinue production and change specifications and prices at any time and without notice.

Xicor, Inc. assumes no responsibility for the use of any circuitry other than circuitry embodied in a Xicor, Inc. product. No other circuits, patents, licenses are implied.

U.S. PATENTS

Xicor products are covered by one or more of the following U.S. Patents: 4,263,664; 4,274,012; 4,300,212; 4,314,265; 4,326,134; 4,393,481; 4,404,475; 4,450,402; 4,486,769; 4,488,060; 4,520,461; 4,533,846; 4,599,706; 4,617,652; 4,668,932; 4,752,912; 4,829,482; 4,874,967; 4,883,976. Foreign patents and additional patents pending.

LIFE RELATED POLICY

In situations where semiconductor component failure may endanger life, system designers using this product should design the system with appropriate error detection and correction, redundancy and back-up features to prevent such an occurrence.

Xicor's products are not authorized for use in critical components in life support devices or systems.

1. Life support devices or systems are devices or systems which, (a) are intended for surgical implant into the body, or (b) support or sustain life, and whose failure to perform, when properly used in accordance with instructions for use provided in the labeling, can be reasonably expected to result in a significant injury to the user.
2. A critical component is any component of a life support device or system whose failure to perform can be reasonably expected to cause the failure of the life support device or system, or to affect its safety or effectiveness.