

FEATURES

- 12-Bit DAC with a 4-Bit Parallel Address for 4 & 8-Bit Microprocessor or Microcontroller Interface
- Nonlinearity $\pm 1/2$ LSB T_{min} to T_{max}
- Latch-Up Free
- Low Sensitivity to Output Amplifier V_{OS}
- Low Output Capacitance
- +5 V Supply Operation
- Low Power Consumption: 40mW Max.
- Low Cost
- Serial Version: MP7543

GENERAL DESCRIPTION

The MP7542 is a precision, 12-bit CMOS 4-quadrant multiplying Digital-to-Analog Converter designed for direct interface to 4 and 8-bit microprocessors.

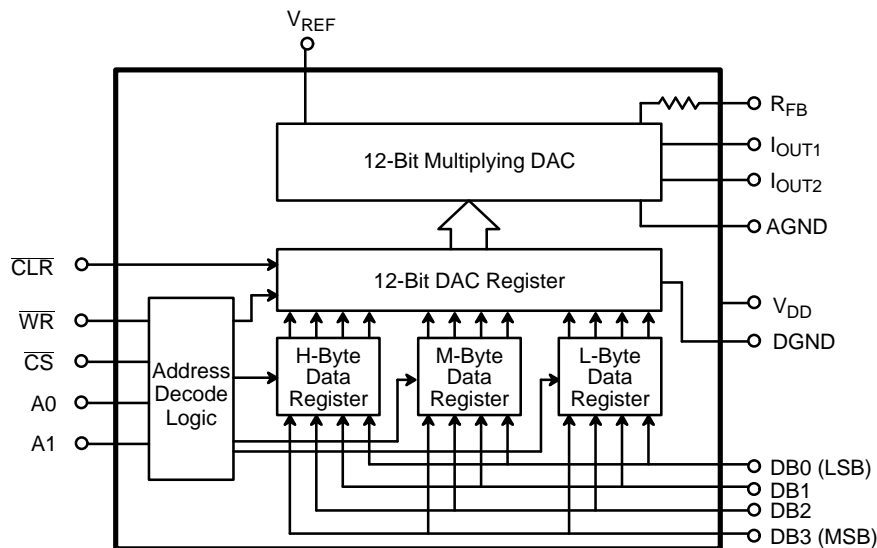
The MP7542 consists of three 4-bit registers, a 12-bit DAC register, address decoding logic, and a 12-bit CMOS multiplying DAC. Data is loaded into the data registers in three 4-bit nibbles and subsequently transferred to the 12-bit DAC register. All data loading or data transfer operations are identical to the WRITE

cycle of a static RAM. A CLEAR input allows the 12-bit DAC register to be reset to all zeros.

The MP7542 is manufactured using advanced thin-film on monolithic double metal CMOS fabrication process. A unique decoding technique is utilized yielding excellent accuracy and stability.

The MP7542 reduces the additional linearity errors due to output amplifier offset to only 330 μ V per millivolt of offset versus 670 μ V for the standard R-2R ladder CMOS DACs.

SIMPLIFIED BLOCK DIAGRAM



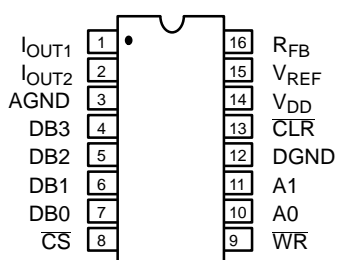
ORDERING INFORMATION

Package Type	Temperature Range	Part No.	INL (LSB)	DNL (LSB)	Gain Error (LSB)
Plastic Dip	-40 to +85°C	MP7542JN	±1	±2	±14.5
Plastic Dip	-40 to +85°C	MP7542KN	±1/2	±1	±14.5
SOIC	-40 to +85°C	MP7542JS	±1	±2	±14.5
SOIC	-40 to +85°C	MP7542KS	±1/2	±1	±14.5
Ceramic Dip	-40 to +85°C	MP7542AD	±1	±2	±14.5
Ceramic Dip	-40 to +85°C	MP7542BD	±1/2	±1	±14.5
Ceramic Dip	-55 to +125°C	MP7542SD*	±1	±2	±14.5
Ceramic Dip	-55 to +125°C	MP7542TD*	±1/2	±1	±14.5

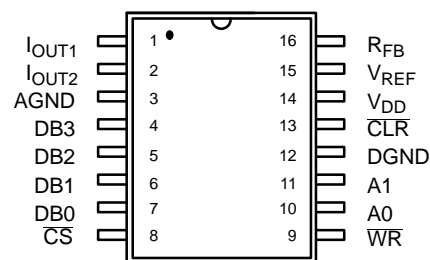
*Contact factory for non-compliant military processing

PIN CONFIGURATIONS

See Packaging Section for Package Dimensions



16 Pin CDIP, PDIP (0.300")
D16, N16



16 Pin SOIC (Jedec, 0.300")
S16

PIN OUT DEFINITIONS

PIN NO.	NAME	DESCRIPTION
1	I _{OUT1}	DAC current output. Normally terminated at op amp.
2	I _{OUT2}	DAC current output. Normally terminated at ground.
3	AGND	Analog Ground
4	DB3	Data Input Bit 3 (MSB)
5	DB2	Data Input Bit 2
6	DB1	Data Input Bit 1
7	DB0	Data Input Bit 0 (LSB)

PIN NO.	NAME	DESCRIPTION
8	\overline{CS}	Chip Select Input
9	\overline{WR}	Write Input
10	A0	Address Bus Input
11	A1	Address Bus Input
12	DGND	Digital Ground
13	\overline{CLR}	Clear Input
14	V _{DD}	+5 V Supply Input
15	V _{REF}	Reference Input
16	R _{FB}	DAC Feedback Resistor

ELECTRICAL CHARACTERISTICS

($V_{DD} = +5\text{ V}$, $V_{REF} = +10\text{ V}$ unless otherwise noted)

Parameter	Symbol	25°C			Tmin to Tmax		Units	Test Conditions/Comments
		Min	Typ	Max	Min	Max		
STATIC PERFORMANCE¹								
Resolution (All Grades)	N	12			12		Bits	
Integral Non-Linearity (Relative Accuracy)	INL						LSB	Best Fit Straight Line Spec. (Max INL – Min INL) / 2
J, A, S				±1			±1	
K, B, T				±1/2			±1/2	
Differential Non-Linearity	DNL						LSB	Monotonicity 11 Bits Guaranteed 12 Bits Guaranteed
J, A, S				±2			±2	
K, B, T				±1			±1	
Gain Error	GE						LSB	Using Internal R_{FB}
J, A, S, K, B, T				±12.3				
Gain Temperature Coefficient ²	TC_{GE}						ppm/°C	$\Delta\text{Gain}/\Delta\text{Temperature}$
Power Supply Rejection Ratio	PSRR			±50			ppm/%	$ \Delta\text{Gain}/\Delta V_{DD} \Delta V_{DD} = \pm 5\%$
Output Leakage Current	I_{OUT}			±10			nA	
DYNAMIC PERFORMANCE								
Current Settling Time ²	t_S			2.0			μs	Full Scale Change to 1/2 LSB $V_{REF} = 10\text{kHz}$, 20 Vp-p, sinewave
AC Feedthrough at I_{OUT1} ²	F_T			2.5			mV p-p	
REFERENCE INPUT								
Input Resistance	R_{IN}	5	10	20	5	20	kΩ	
DIGITAL INPUTS³								
Logical "1" Voltage	V_{IH}	3.0			3.0		V	
Logical "0" Voltage	V_{IL}			0.8		0.8	V	
Input Leakage Current	I_{LKG}			±1		±1	μA	
Input Capacitance ²	C_{IN}			8		8	pF	
ANALOG OUTPUTS								
Output Capacitance ²	C_{OUT1}			260		260	pF	DAC Inputs all 1's DAC Inputs all 0's DAC Inputs all 1's DAC Inputs all 0's
	C_{OUT1}			100		100	pF	
	C_{OUT2}			50		50	pF	
	C_{OUT2}			210		210	pF	
POWER SUPPLY								
Supply Voltage ⁵	V_{DD}	+4.5		+5.5	+4.5	+5.5	V	All digital inputs = 0 V or all = 5 V
Supply Current	I_{DD}			2.5		2.5	mA	

ELECTRICAL CHARACTERISTICS (CONT'D)

Parameter	Symbol	25°C			Tmin to Tmax		Units	Test Conditions/Comments
		Min	Typ	Max	Min	Max		
SWITCHING CHARACTERISTICS^{2, 4}								
\overline{WR} Pulse Width	t_{WR}	120			220		ns	
Address to \overline{WR} Hold Time	t_{AWH}	50			65		ns	
\overline{CS} to \overline{WR} Hold Time	t_{CWH}	50			100		ns	
\overline{CLR} Pulse Width	t_{CLR}	200			300		ns	
Byte Loading, \overline{CS} to \overline{WR} Setup	t_{CWS1}	60			130		ns	
Byte Loading, Address to \overline{WR} Setup	t_{AWS1}	80			180		ns	
Byte Loading, \overline{WR} to Data Setup	t_{DS}	50			65		ns	
Byte Loading, \overline{WR} to Data Hold	t_{DH}	50			65		ns	
DAC Loading, \overline{CS} to \overline{WR} Setup	t_{CWS2}	60			150		ns	
DAC Loading, Address to \overline{WR} Setup	t_{AWS2}	120			240		ns	

NOTES:

- 1 Full Scale Range (FSR) is 10V for unipolar mode.
- 2 Guaranteed but not production tested.
- 3 Digital input levels should not go below ground or exceed the positive supply voltage, otherwise damage may occur.
- 4 See timing diagram.
- 5 Specified values guarantee functionality. Refer to other parameters for accuracy.

Specifications are subject to change without notice

ABSOLUTE MAXIMUM RATINGS (TA = +25°C unless otherwise noted)^{1, 2, 3}

V_{DD} to GND +7 V	Storage Temperature -65°C to +150°C
Digital Input Voltage to GND (2)	. GND -0.5 to V_{DD} +0.5 V	Lead Temperature (Soldering, 10 seconds) +300°C
I_{OUT1}, I_{OUT2} to GND GND -0.5 to V_{DD} +0.5 V	Package Power Dissipation Rating to 75°C	
V_{REF} to GND (2) ±25 V	CDIP, PDIP, SOIC 700mW
V_{RFB} to GND (2) ±25 V	Derates above 75°C 10mW/°C
AGND to DGND ±1 V		
(Functionality Guaranteed ±0.5 V)			

NOTES:

- 1 Stresses above those listed under “Absolute Maximum Ratings” may cause permanent damage to the device. This is a stress rating only and functional operation at or above this specification is not implied. Exposure to maximum rating conditions for extended periods may affect device reliability.
- 2 Any input pin which can see a value outside the absolute maximum ratings should be protected by Schottky diode clamps (HP5082-2835) from input pin to the supplies.
- 3 GND refers to AGND and DGND.

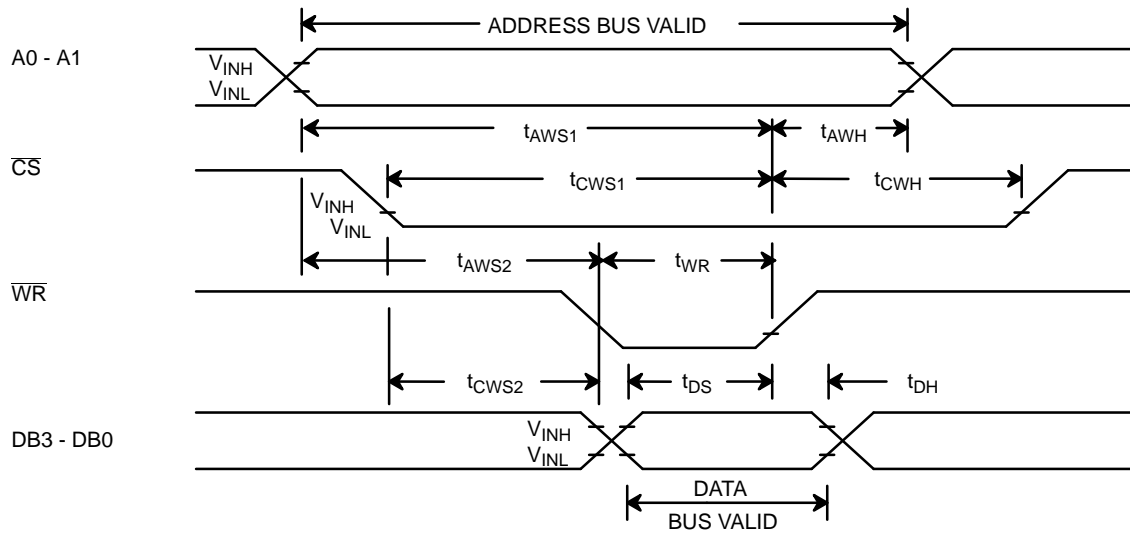


Figure 1. Timing Diagram

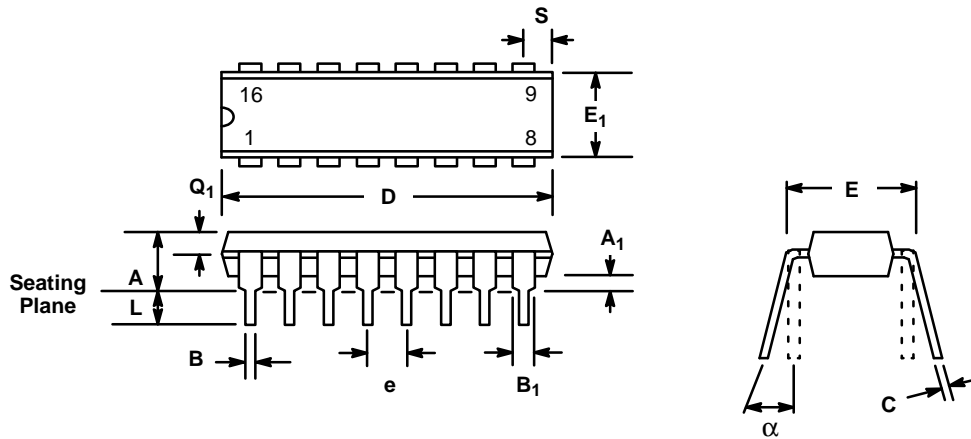
MP7542 Control Inputs					MP7542 Operation
A1	A0	CS	WR	CLR	
X	X	X	X	0	Resets DAC 12-bit register to code 0000 0000 0000
X	X	1	1	1	No operation; device not selected
0	0	⌄	0	1	Load applicable data register with data at D0 - D3
0	0	0	⌄	1	
0	1	⌄	0	1	
0	1	0	⌄	1	
1	0	⌄	0	1	Load HIGH byte data register on edges as shown
1	0	0	⌄	1	
1	1	0	0	1	Load 12-bit DAC register with data in LOW byte, MIDDLE byte, & HIGH byte data registers
1	1	0	0	1	

NOTES

- 1 indicates logic HIGH
- 0 indicates logic LOW
- X indicates don't care
- ⌄ indicates LOW to HIGH transition
- MSB XXXX XXXX XXXX LSB
high middle low
byte byte byte
- Although positive-going edge of either CS or WR will load data register, timing is optimized by using WR to latch data and using CS as a device enable.

Table 1. Truth Table

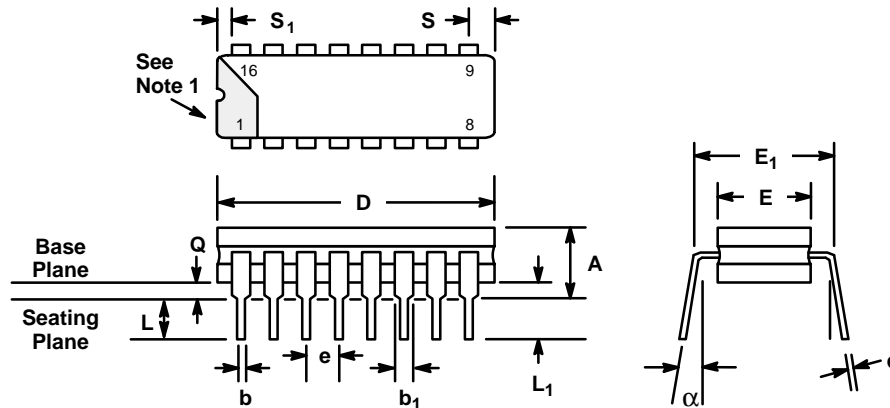
**16 LEAD PLASTIC DUAL-IN-LINE
(300 MIL PDIP)
N16**



SYMBOL	INCHES		MILLIMETERS	
	MIN	MAX	MIN	MAX
A	—	0.200	—	5.08
A ₁	0.015	—	0.38	—
B	0.014	0.023	0.356	0.584
B ₁ (1)	0.038	0.065	0.965	1.65
C	0.008	0.015	0.203	0.381
D	0.745	0.785	18.92	19.94
E	0.295	0.325	7.49	8.26
E ₁	0.220	0.310	5.59	7.87
e	0.100 BSC		2.54 BSC	
L	0.115	0.150	2.92	3.81
α	0°	15°	0°	15°
Q ₁	0.055	0.070	1.40	1.78
S	0.020	0.080	0.51	2.03

Note: (1) The minimum limit for dimensions B₁ may be 0.023" (0.58 mm) for all four corner leads only.

16 LEAD CERAMIC DUAL-IN-LINE (300 MIL CDIP) D16

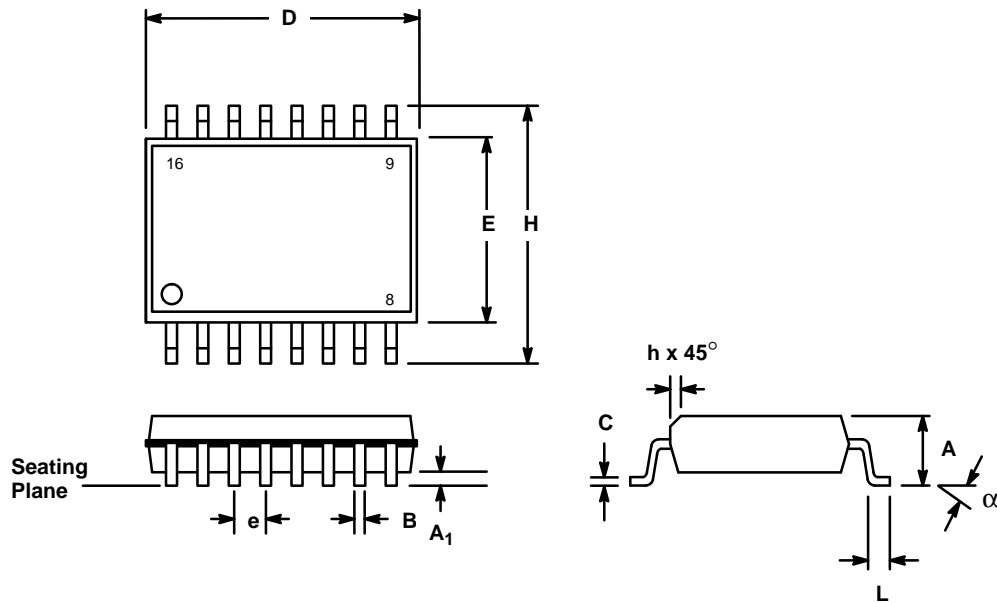


SYMBOL	INCHES		MILLIMETERS		NOTES
	MIN	MAX	MIN	MAX	
A	—	0.200	—	5.08	—
b	0.014	0.023	0.356	0.584	—
b ₁	0.038	0.065	0.965	1.65	2
c	0.008	0.015	0.203	0.381	—
D	—	0.840	—	21.34	4
E	0.220	0.310	5.59	7.87	4
E ₁	0.290	0.320	7.37	8.13	7
e	0.100 BSC		2.54 BSC		5
L	0.125	0.200	3.18	5.08	—
L ₁	0.150	—	3.81	—	—
Q	0.015	0.060	0.381	1.52	3
S	—	0.080	—	2.03	6
S ₁	0.005	—	0.13	—	6
α	0°	15°	0°	15°	—

NOTES

1. Index area; a notch or a lead one identification mark is located adjacent to lead one and is within the shaded area shown.
2. The minimum limit for dimension b₁ may be 0.023 (0.58 mm) for all four corner leads only.
3. Dimension Q shall be measured from the seating plane to the base plane.
4. This dimension allows for off-center lid, meniscus and glass overrun.
5. The basic lead spacing is 0.100 inch (2.54 mm) between centerlines.
6. Applies to all four corners.
7. This is measured to outside of lead, not center.

**16 LEAD SMALL OUTLINE
(300 MIL JEDEC SOIC)
S16**



SYMBOL	INCHES		MILLIMETERS	
	MIN	MAX	MIN	MAX
A	0.097	0.104	2.46	2.64
A ₁	0.0050	0.0115	0.127	0.292
B	0.014	0.019	0.356	0.482
C	0.0091	0.0125	0.231	0.318
D	0.402	0.412	10.21	10.46
E	0.292	0.299	7.42	7.59
e	0.050 BSC		1.27 BSC	
H	0.400	0.410	10.16	10.41
h	0.010	0.016	0.254	0.406
L	0.016	0.035	0.406	0.889
α	0°	8°	0°	8°

Notes

Notes

NOTICE

EXAR Corporation reserves the right to make changes to the products contained in this publication in order to improve design, performance or reliability. EXAR Corporation assumes no responsibility for the use of any circuits described herein, conveys no license under any patent or other right, and makes no representation that the circuits are free of patent infringement. Charts and schedules contains here in are only for illustration purposes and may vary depending upon a user's specific application. While the information in this publication has been carefully checked; no responsibility, however, is assumed for inaccuracies.

EXAR Corporation does not recommend the use of any of its products in life support applications where the failure or malfunction of the product can reasonably be expected to cause failure of the life support system or to significantly affect its safety or effectiveness. Products are not authorized for use in such applications unless EXAR Corporation receives, in writing, assurances to its satisfaction that: (a) the risk of injury or damage has been minimized; (b) the user assumes all such risks; (c) potential liability of EXAR Corporation is adequately protected under the circumstances.

Copyright EXAR Corporation
Datasheet April 1995

Reproduction, in part or whole, without the prior written consent of EXAR Corporation is prohibited.