

MCM67A618B

Advance Information
**64K x 18 Bit Asynchronous/
Latched Address Fast Static RAM**

The MCM67A618B is a 1,179,648 bit latched address static random access memory organized as 65,536 words of 18 bits. The device integrates a 64K x 18 SRAM core with advanced peripheral circuitry consisting of address and data input latches, active low chip enable, separate upper and lower byte write strobes, and a fast output enable. This device has increased output drive capability supported by multiple power pins.

Address, data in, and chip enable latches are provided. When latch enables (AL for address and chip enables and DL for data in) are high, the address, data in, and chip enable latches are in the transparent state. If latch enables are tied high the device can be used as an asynchronous SRAM. When latch enables are low the address, data in, and chip enable latches are in the latched state. This input latch simplifies read and write cycles by guaranteeing address and data-in hold time in a simple fashion.

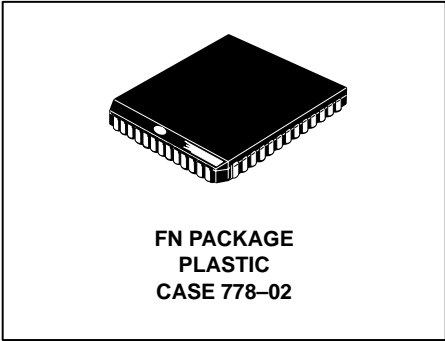
Dual write enables (LW and UW) are provided to allow individually writeable bytes. LW controls DQ0 – DQ8 (the lower bits) while UW controls DQ9 – DQ17 (the upper bits).

Six pair of power and ground pins have been utilized and placed on the package for maximum performance.

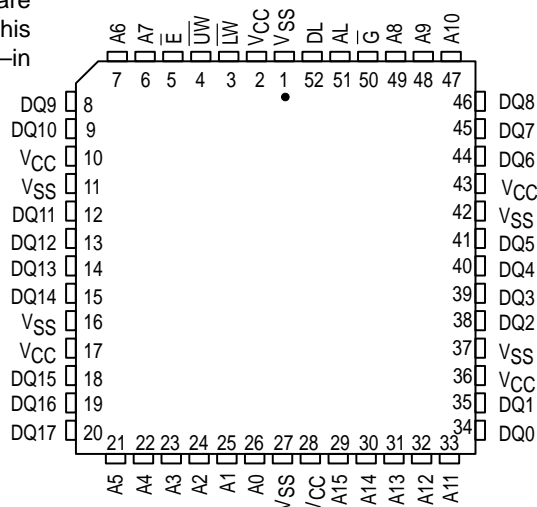
The MCM67A618B will be available in a 52-pin plastic leaded chip carrier (PLCC).

This device is ideally suited for systems that require wide data bus widths, cache memory, and tag RAMs.

- Single 5 V ± 5% Power Supply
- Fast Access Times: 10/12/15 ns Max
- Byte Writeable via Dual Write Enables
- Separate Data Input Latch for Simplified Write Cycles
- Address and Chip Enable Input Latches
- Common Data Inputs and Data Outputs
- Output Enable Controlled Three-State Outputs
- 3.3 V I/O Compatible
- High Board Density 52-Lead PLCC Package



PIN ASSIGNMENT



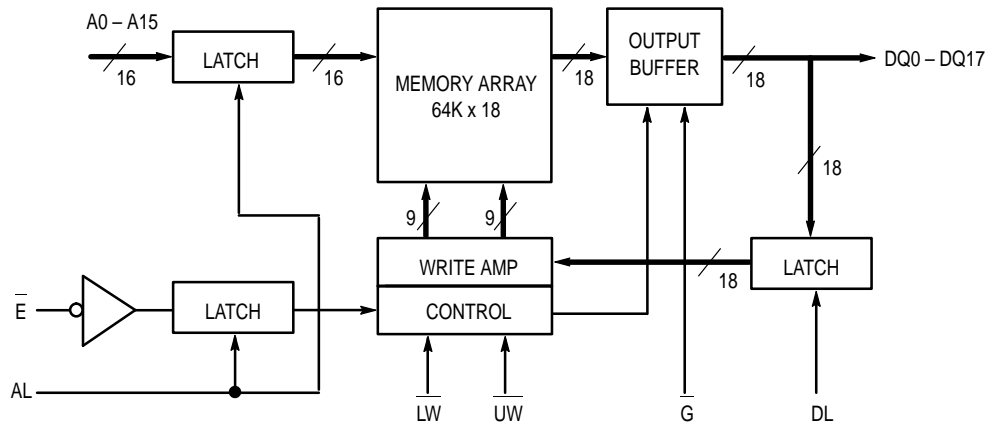
PIN NAMES

A0 – A15	Address Inputs
AL	Address Latch
DL	Data Latch
LW	Lower Byte Write Enable
UW	Higher Byte Write Enable
E	Chip Enable
G	Output Enable
DQ0 – DQ17	Data Input/Output
VCC	+ 5 V Power Supply
VSS	Ground

All power supply and ground pins must be connected for proper operation of the device.

This document contains information on a new product. Specifications and information herein are subject to change without notice.

BLOCK DIAGRAM



TRUTH TABLE

$\overline{\text{E}}$	$\overline{\text{LW}}$	$\overline{\text{UW}}$	AL^*	DL^*	$\overline{\text{G}}$	Mode	Supply Current	I/O Status
H	X	X	X	X	X	Deselected Cycle	I_{SB}	High-Z
L	X	X	L	X	X	Read or Write Using Latched Addresses	I_{CC}	—
L	X	X	H	X	X	Read or Write Using Unlatched Addresses	I_{CC}	—
L	H	H	X	X	L	Read Cycle	I_{CC}	Data Out
L	H	H	X	X	H	Read Cycle	I_{CC}	High-Z
L	L	L	X	L	X	Write Both Bytes Using Latched Data In	I_{CC}	High-Z
L	L	L	X	H	X	Write Both Bytes Using Unlatched Data In	I_{CC}	High-Z
L	L	H	X	X	X	Write Cycle, Lower Byte	I_{CC}	High-Z
L	H	L	X	X	X	Write Cycle, Lower Byte	I_{CC}	High-Z

*E and Addresses satisfy the specified setup and hold times for the falling edge of AL. Data-in satisfies the specified setup and hold times for falling edge of DL.

NOTE: This truth table shows the application of each function. Combinations of these functions are valid.

ABSOLUTE MAXIMUM RATINGS (Voltages Referenced to $V_{\text{SS}} = 0$)

Rating	Symbol	Value	Unit
Power Supply Voltage	V_{CC}	- 0.5 to 7.0	V
Voltage Relative to V_{SS} for Any Pin Except V_{CC}	$V_{\text{in}}, V_{\text{out}}$	- 0.5 to $V_{\text{CC}} + 0.5$	V
Output Current (per I/O)	I_{out}	± 30	mA
Power Dissipation	P_{D}	1.6	W
Temperature Under Bias	T_{bias}	- 10 to + 85	$^{\circ}\text{C}$
Ambient Temperature	T_{A}	0 to + 70	$^{\circ}\text{C}$
Storage Temperature	T_{stg}	- 55 to + 125	$^{\circ}\text{C}$

NOTE: Permanent device damage may occur if ABSOLUTE MAXIMUM RATINGS are exceeded. Functional operation should be restricted to RECOMMENDED OPERATING CONDITIONS. Exposure to higher than recommended voltages for extended periods of time could affect device reliability.

This device contains circuitry to protect the inputs against damage due to high static voltages or electric fields; however, it is advised that normal precautions be taken to avoid application of any voltage higher than maximum rated voltages to this high-impedance circuit.

This BiCMOS memory circuit has been designed to meet the dc and ac specifications shown in the tables, after thermal equilibrium has been established.

This device contains circuitry that will ensure the output devices are in High-Z at power up.

DC OPERATING CONDITIONS AND CHARACTERISTICS

($V_{CC} = 5.0\text{ V} \pm 5\%$, $T_A = 0\text{ to } +70^\circ\text{C}$, Unless Otherwise Noted)

RECOMMENDED OPERATING CONDITIONS (Voltages referenced to $V_{SS} = 0\text{ V}$)

Parameter	Symbol	Min	Max	Unit
Supply Voltage (Operating Voltage Range)	V_{CC}	4.75	5.25	V
Input High Voltage	V_{IH}	2.2	$V_{CC} + 0.3^{**}$	V
Input Low Voltage	V_{IL}	-0.5^*	0.8	V

* $V_{IL}(\text{min}) = -0.5\text{ V dc}$; $V_{IL}(\text{min}) = -2.0\text{ V ac}$ (pulse width $\leq 20\text{ ns}$) for $I \leq 20.0\text{ mA}$.

** $V_{IH}(\text{max}) = V_{CC} + 0.3\text{ V dc}$; $V_{IH}(\text{max}) = V_{CC} + 2.0\text{ V ac}$ (pulse width $\leq 20\text{ ns}$) for $I \leq 20.0\text{ mA}$.

DC CHARACTERISTICS

Parameter	Symbol	Min	Max	Unit
Input Leakage Current (All Inputs, $V_{in} = 0\text{ to } V_{CC}$)	$I_{lkg(I)}$	—	± 1.0	μA
Output Leakage Current ($G = V_{IH}$)	$I_{lkg(O)}$	—	± 1.0	μA
AC Supply Current (Device Selected, All Outputs Open, Freq = Max, $V_{CC} = \text{Max}$)	I_{CCA}	—	TBD	mA
CMOS Standby Supply Current (Device Deselected, Freq = 0, $V_{DD} = \text{Max}$, All Inputs Static at CMOS Levels $V_{in} \leq V_{SS} + 0.2\text{ V}$ or $\geq V_{CC} - 0.2\text{ V}$)	I_{SB2}	—	TBD	mA
AC Standby Supply Current (Device Deselected, Freq = Max, $V_{DD} = \text{Max}$, All Inputs Toggling at CMOS Levels $V_{in} \leq V_{SS} + 0.2\text{ V}$ or $\geq V_{CC} - 0.2\text{ V}$)	I_{SB4}	—	TBD	mA
Output Low Voltage ($I_{OL} = +8.0\text{ mA}$)	V_{OL}	—	0.4	V
Output High Voltage ($I_{OH} = -4.0\text{ mA}$)	V_{OH}	2.4	3.3	V

CAPACITANCE (f = 1.0 MHz, dV = 3.0 V, $T_A = 25^\circ\text{C}$, Periodically Sampled Rather Than 100% Tested)

Characteristic	Symbol	Typ	Max	Unit
Input Capacitance	C_{in}	4	5	pF
Input/Output Capacitance	$C_{I/O}$	6	8	pF

AC OPERATING CONDITIONS AND CHARACTERISTICS

($V_{CC} = 5.0\text{ V} \pm 5\%$, $T_A = 0\text{ to } +70^\circ\text{C}$, Unless Otherwise Noted)

Input Timing Measurement Reference Level 1.5 V
 Input Pulse Levels 0 to 3.0 V
 Input Rise/Fall Time 3 ns

Output Timing Reference Level 1.5 V
 Output Load Figure 1 Unless Otherwise Noted

ASYNCHRONOUS READ CYCLE TIMING (See Notes 1 and 2)

Parameter	Symbol	MCM67A618B-10		MCM67A618B-12		MCM67A618B-15		Unit	Notes
		Min	Max	Min	Max	Min	Max		
Read Cycle Times	t_{AVAV}	10	—	12	—	15	—	ns	3
Access Times:								ns	4
Address Valid to Output Valid	t_{AVQV}	—	10	—	12	—	15		
E Low to Output Valid	t_{ELQV}	—	10	—	12	—	15		
Output Enable Low to Output Valid	t_{GLQV}	—	5	—	6	—	7		
Output Hold from Address Change	t_{AXQX}	4	—	4	—	4	—	ns	
Output Buffer Control:								ns	5
E Low to Output Active	t_{ELQX}	3	—	3	—	3	—		
G Low to Output Active	t_{GLQX}	1	—	1	—	1	—		
E High to Output High-Z	t_{EHQZ}	2	5	2	6	2	7		
G High to Output High-Z	t_{GHQZ}	2	5	2	6	2	7		
Power Up Time	t_{ELICCA}	0	—	0	—	0	—	ns	

NOTES:

1. AL and DL are equal to V_{IH} for all asynchronous cycles.
2. Both Write Enable signals (LW, UW) are equal to V_{IH} for all read cycles.
3. All read cycle timing is referenced from the last valid address to the first transitioning address.
4. Addresses valid prior to or coincident with E going low.
5. Transition is measured $\pm 500\text{ mV}$ from steady-state voltage. This parameter is sampled and not 100% tested. At any given voltage and temperature, t_{EHQZ} is less than t_{ELQX} and t_{GHQZ} is less than t_{GLQX} for a given device.

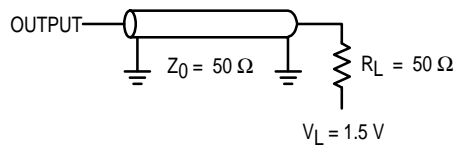
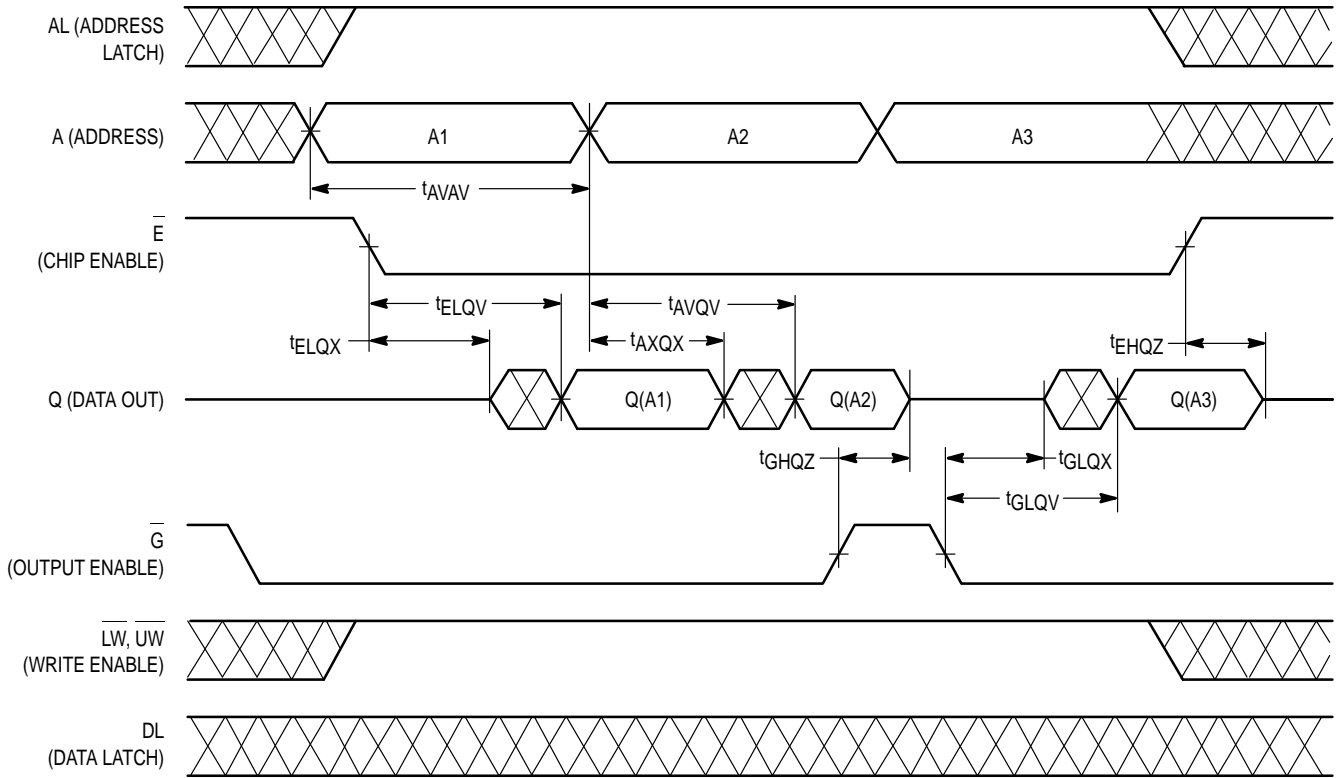


Figure 1. AC Test Load

ASYNCHRONOUS READ CYCLES



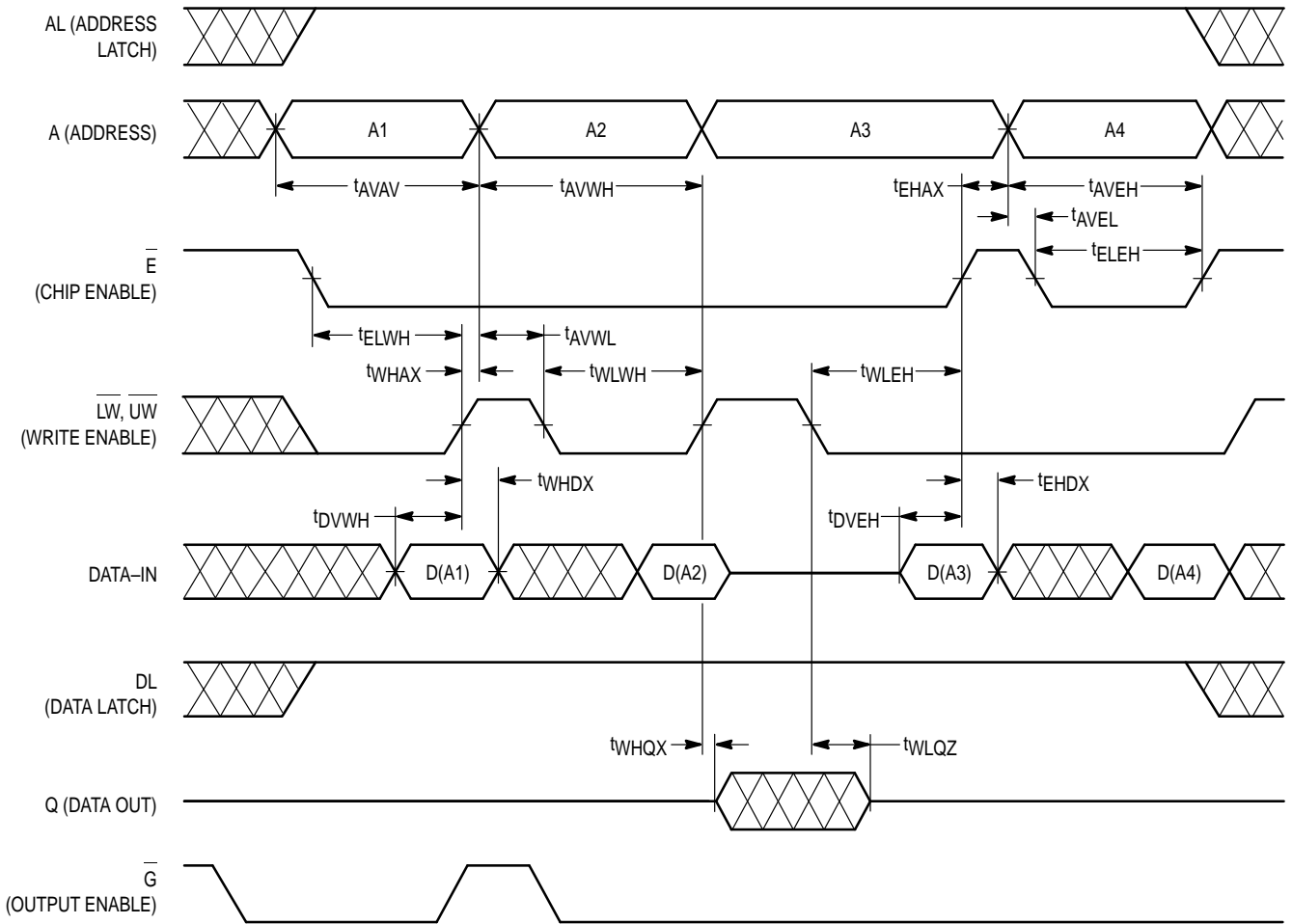
ASYNCHRONOUS WRITE CYCLE TIMING (See Notes 1, 2, and 3)

Parameter	Symbol	MCM67A618B-10		MCM67A618B-12		MCM67A618B-15		Unit	Notes
		Min	Max	Min	Max	Min	Max		
Write Cycle Times	t _{AVAV}	10	—	12	—	15	—	ns	4
Setup Times: Address Valid to End of Write	t _{AVWH}	9	—	10	—	13	—	ns	
	t _{AVEH}	9	—	10	—	13	—		
	t _{AVWL}	0	—	0	—	0	—		
	t _{AVEL}	0	—	0	—	0	—		
	t _{DVWH}	5	—	6	—	7	—		
	t _{DVEH}	5	—	6	—	7	—		
Hold Times: <u>W</u> High to Address Invalid	t _{WHAX}	0	—	0	—	0	—	ns	
	t _{EHAX}	0	—	0	—	0	—		
	t _{WHDX}	0	—	0	—	0	—		
	t _{EHDX}	0	—	0	—	0	—		
Write Pulse Width: Write Pulse Width (<u>G</u> Low)	t _{WLWH}	9	—	10	—	13	—	ns	
	t _{WLWH}	8	—	9	—	12	—		
	t _{WLEH}	9	—	10	—	13	—		
	t _{ELWH}	9	—	10	—	13	—		
	t _{ELEH}	9	—	10	—	13	—		
Output Buffer Control: <u>W</u> High to Output Active	t _{WHQX}	3	—	3	—	3	—	ns	7
<u>W</u> Low to Output High-Z	t _{WLQZ}	—	5	—	6	—	9		

NOTES:

1. In setup and hold times, W (write) refers to either one or both byte write enables LW and UW.
2. AL and DL are equal to V_{IH} for all asynchronous cycles.
3. Both Write Enables must be equal to V_{IH} for all address transitions.
4. All write cycle timing is referenced from the last valid address to the first transitioning address.
5. If E goes high coincident with or before W goes high the output will remain in a high impedance state.
6. If E goes low coincident with or after W goes low the output will remain in a high impedance state.
7. Transition is measured ± 500 mV from steady-state voltage with output load of Figure 1b. This parameter is sampled and not 100% tested. At any given voltage and temperature, t_{WLQZ} is less than t_{WHQX} for a given device.
8. If G goes low coincident with or after W goes low the output will remain in a high impedance state.

ASYNCHRONOUS WRITE CYCLE



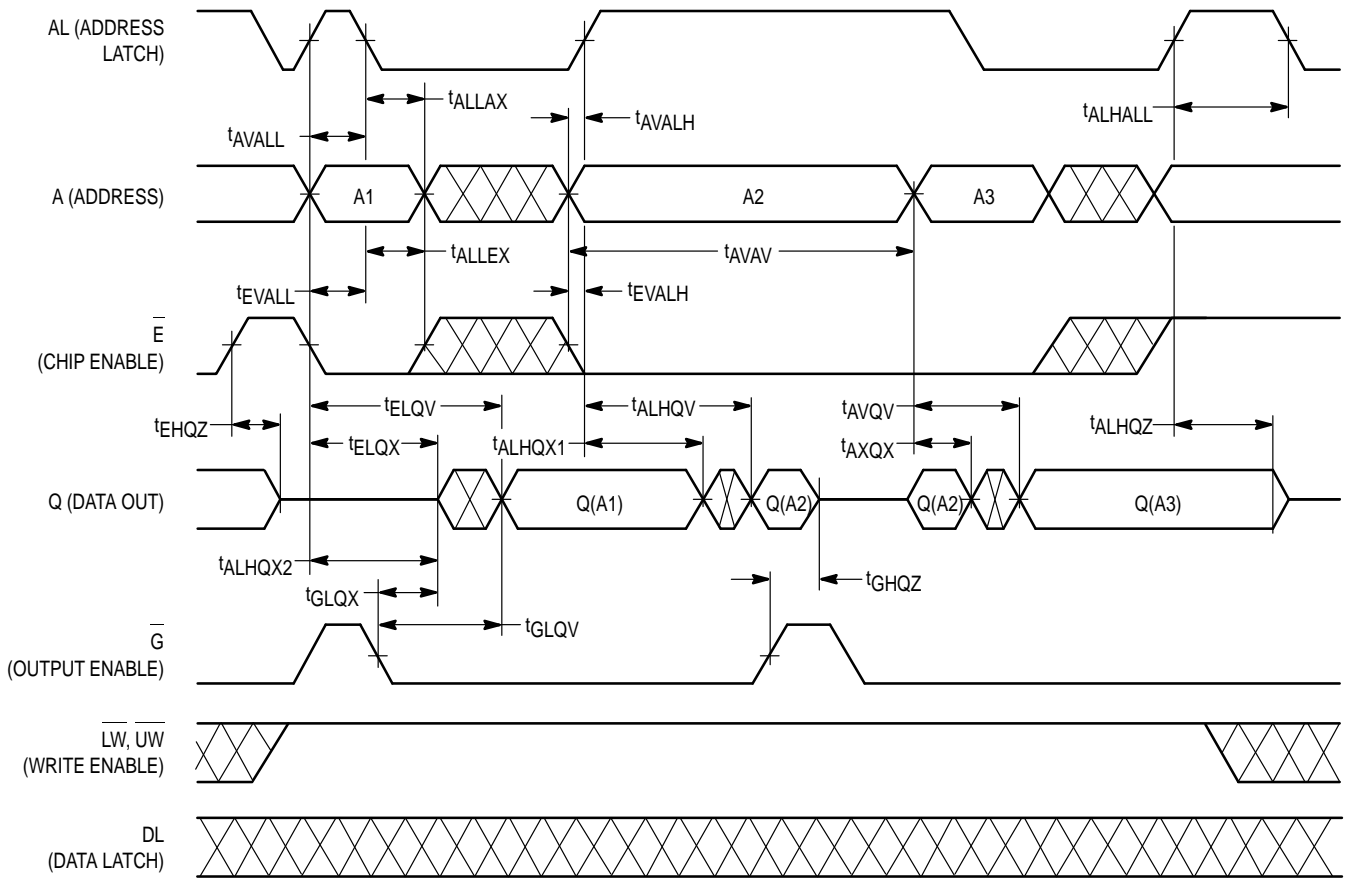
LATCHED READ CYCLE TIMING (See Notes 1 and 2)

Parameter	Symbol	MCM67A618B-10		MCM67A618B-12		MCM67A618B-15		Unit	Notes
		Min	Max	Min	Max	Min	Max		
Read Cycle Times	t _{AVAV}	10	—	12	—	15	—	ns	3
Access Times:								ns	
Address Valid to Output Valid	t _{AVQV}	—	10	—	12	—	15		3
E Low to Output Valid	t _{ELQV}	—	10	—	12	—	15		4
AL High to Output Valid	t _{ALHQV}	—	10	—	12	—	15		
Output Enable Low to Output Valid	t _{GLQV}	—	5	—	6	—	7		
Setup Times:								ns	
Address Valid to AL Low	t _{AVALL}	2	—	2	—	2	—		4
E Valid to AL Low	t _{EVALL}	2	—	2	—	2	—		4
Address Valid to AL High	t _{AVALH}	0	—	0	—	0	—		
E Valid to AL High	t _{EVAlH}	0	—	0	—	0	—		
Hold Times:								ns	4
AL Low to Address Invalid	t _{ALLAX}	2	—	2	—	3	—		
AL Low to E Invalid	t _{ALLEX}	2	—	2	—	3	—		
Output Hold:								ns	
Address Invalid to Output Invalid	t _{AXQX}	4	—	4	—	4	—		
AL High to Output Invalid	t _{ALHQX1}	4	—	4	—	4	—		
Address Latch Pulse Width	t _{ALHALL}	5	—	5	—	5	—	ns	
Output Buffer Control:								ns	5
E Low to Output Active	t _{ELQX}	3	—	3	—	3	—		
G Low to Output Active	t _{GLQX}	1	—	1	—	1	—		
AL High to Output Active	t _{ALHQX2}	3	—	3	—	3	—		
E High to Output High-Z	t _{EHQZ}	2	5	2	6	2	9		
AL High to Output High-Z	t _{ALHQZ}	2	5	2	6	2	9		
G High to Output High-Z	t _{GHQZ}	2	5	2	6	2	7		

NOTES:

- Both Write Enable Signals (LW, UW) are equal to V_{IH} for all read cycles.
- All read cycle timing is referenced from the last valid address to the first transitioning address.
- Addresses valid prior to or coincident with E going low.
- All latched inputs must meet the specified setup and hold times with stable logic levels for ALL falling edges of address latch (AL) and data latch (DL).
- Transition is measured ± 500 mV from steady-state voltage with output load of Figure 1b. This parameter is sampled and not 100% tested. At any given voltage and temperature, t_{EHQZ} is less than t_{ELQX} and t_{ALHQZ} is less than t_{ALHQX2} and t_{GHQZ} is less than t_{GLQX} for a given device.

LATCHED READ CYCLES



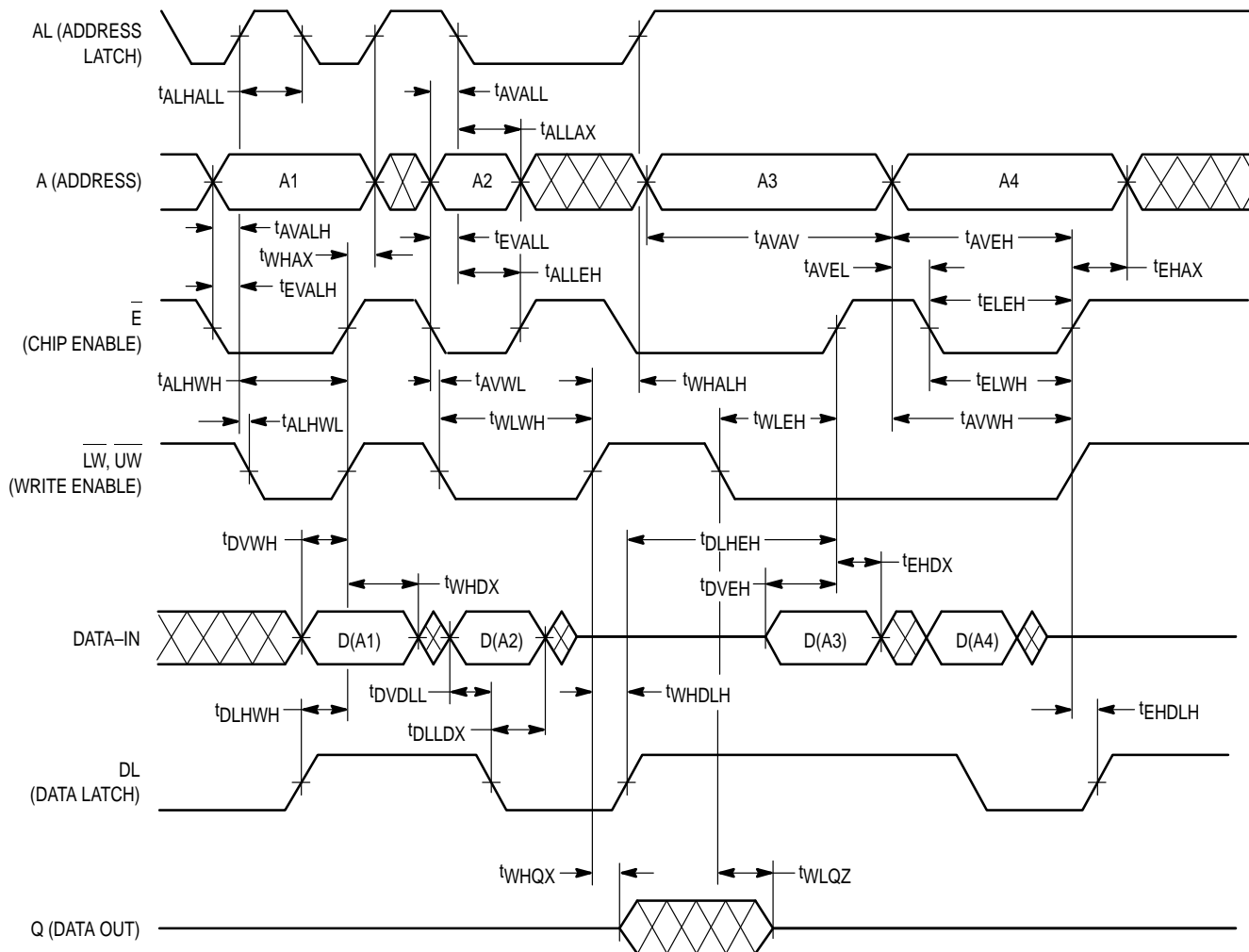
LATCHED WRITE CYCLE TIMING (See Notes 1, 2, and 3)

Parameter	Symbol	MCM67A618B-10		MCM67A618B-12		MCM67A618B-15		Unit	Notes
		Min	Max	Min	Max	Min	Max		
Write Cycle Times: Address Valid to Address Valid	t _{AVAV}	10	—	12	—	15	—	ns	4
Setup Times:								ns	
Address Valid to End of Write	t _{AVWH}	9	—	10	—	13	—		
Address Valid to End of Write	t _{AVEH}	9	—	10	—	13	—		
E Valid to AL Low	t _{EVALL}	2	—	2	—	2	—		
Address Valid to AL Low	t _{AVALL}	2	—	2	—	2	—		
E Valid to AL High	t _{EVAlH}	0	—	0	—	0	—		
Address Valid to AL High	t _{AVAlH}	0	—	0	—	0	—		
AL High to W Low	t _{AlHWL}	0	—	0	—	0	—		
Address Valid to W Low	t _{AVWL}	0	—	0	—	0	—		
Address Valid to E Low	t _{AVEL}	0	—	0	—	0	—		
Data Valid to DL Low	t _{DVDLL}	2	—	2	—	2	—		
Data Valid to W High	t _{DVWH}	5	—	6	—	7	—		
Data Valid to E High	t _{DVEH}	5	—	6	—	7	—		
DL High to W High	t _{DLHWH}	5	—	6	—	7	—		
DL High to E High	t _{DLHEH}	5	—	6	—	7	—		
Hold Times:								ns	
AL Low to E High	t _{AlLEH}	2	—	2	—	3	—		4
AL Low to Address Invalid	t _{AlLAX}	2	—	2	—	3	—		4
DL Low to Data Invalid	t _{DLLDX}	2	—	2	—	3	—		
W High to Address Invalid	t _{WHAX}	0	—	0	—	0	—		
E High to Address Invalid	t _{EHAX}	0	—	0	—	0	—		
W High to Data Invalid	t _{WHDX}	0	—	0	—	0	—		
E High to Data Invalid	t _{EHDX}	0	—	0	—	0	—		
W High to DL High	t _{WHDLH}	0	—	0	—	0	—		
E High to DL High	t _{EHDLH}	0	—	0	—	0	—		
W High to AL High	t _{WHAlH}	0	—	0	—	0	—		
Write Pulse Width:								ns	
AL High to W High	t _{AlHWH}	9	—	10	—	13	—		5
Write Pulse Width (G Low)	t _{WLWH}	9	—	10	—	13	—		
Write Pulse Width (G High)	t _{WLWH}	8	—	9	—	12	—		
Write Pulse Width	t _{WLEH}	9	—	10	—	13	—		6
Enable to End of Write	t _{ELWH}	9	—	10	—	13	—		7
Enable to End of Write	t _{ELEH}	9	—	10	—	13	—		6, 7
Address Latch Pulse Width	t _{AlHALL}	5	—	5	—	5	—	ns	4
Output Buffer Control:								ns	
W High to Output Active	t _{WHQX}	3	—	3	—	3	—		8
W Low to Output High-Z	t _{WLQZ}	—	5	—	6	—	9		8, 9

NOTES:

1. W (write) refers to either one or both byte write enables (LW, UW).
2. A write occurs during the overlap of E low and W low.
3. Both Write Enables must be equal to V_{IH} for all address transitions.
4. All write cycle timing is referenced from the last valid address to the first transitioning address.
5. All latched inputs must meet the specified setup and hold times with stable logic levels for ALL falling edges of address latch (AL) and data latch (DL).
6. If E goes high coincident with or before W goes high the output will remain in a high impedance state.
7. If E goes low coincident with or after W goes low the output will remain in a high impedance state.
8. Transition is measured ± 500 mV from steady-state voltage with output load of Figure 1b. This parameter is sampled and not 100% tested. At any given voltage and temperature, t_{WLQZ} is less than t_{WHQX} for a given device.
9. If G goes low coincident with or after W goes low the output will remain in a high impedance state.

LATCHED WRITE CYCLES




ORDERING INFORMATION (Order by Full Part Number)

MCM 67A618B X XX

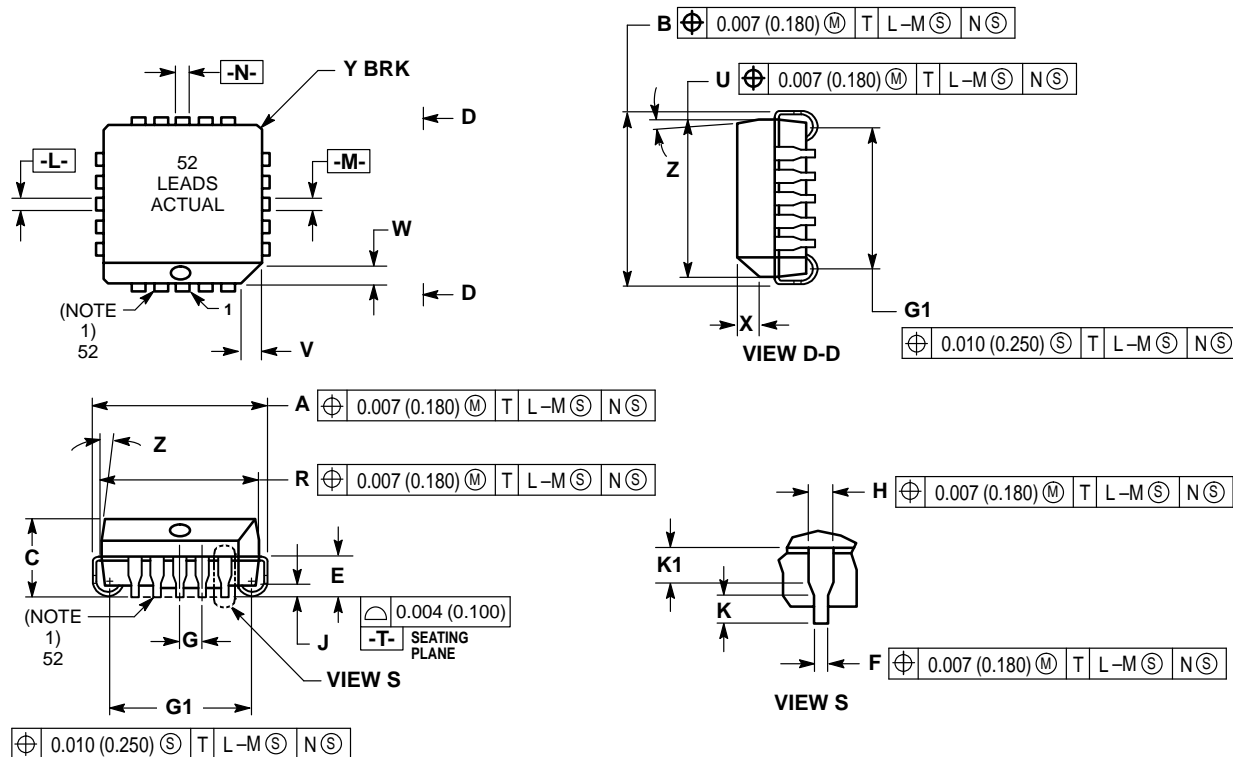
Motorola Memory Prefix _____ Speed (10 = 10 ns, 12 = 12 ns, 15 = 15 ns)
 Part Number _____ Package (FN = PLCC)

Full Part Numbers — MCM67A618BFN10 MCM67A618BFN12 MCM67A618BFN15

Motorola reserves the right to make changes without further notice to any products herein. Motorola makes no warranty, representation or guarantee regarding the suitability of its products for any particular purpose, nor does Motorola assume any liability arising out of the application or use of any product or circuit, and specifically disclaims any and all liability, including without limitation consequential or incidental damages. "Typical" parameters which may be provided in Motorola data sheets and/or specifications can and do vary in different applications and actual performance may vary over time. All operating parameters, including "Typicals" must be validated for each customer application by customer's technical experts. Motorola does not convey any license under its patent rights nor the rights of others. Motorola products are not designed, intended, or authorized for use as components in systems intended for surgical implant into the body, or other applications intended to support or sustain life, or for any other application in which the failure of the Motorola product could create a situation where personal injury or death may occur. Should Buyer purchase or use Motorola products for any such unintended or unauthorized application, Buyer shall indemnify and hold Motorola and its officers, employees, subsidiaries, affiliates, and distributors harmless against all claims, costs, damages, and expenses, and reasonable attorney fees arising out of, directly or indirectly, any claim of personal injury or death associated with such unintended or unauthorized use, even if such claim alleges that Motorola was negligent regarding the design or manufacture of the part. Motorola and  are registered trademarks of Motorola, Inc. Motorola, Inc. is an Equal Opportunity/Affirmative Action Employer.

PACKAGE DIMENSIONS

**FN PACKAGE
52-LEAD PLCC
CASE 778-02**



NOTES:

1. DUE TO SPACE LIMITATION, CASE 778-02 SHALL BE REPRESENTED BY A GENERAL (SMALLER) CASE OUTLINE DRAWING RATHER THAN SHOWING ALL 52 LEADS.
2. DATUMS -L-, -M-, AND -N- DETERMINED WHERE TOP OF LEAD SHOULDER EXITS PLASTIC BODY AT MOLD PARTING LINE.
3. DIM G1, TRUE POSITION TO BE MEASURED AT DATUM -T-, SEATING PLANE.
4. DIM R AND U DO NOT INCLUDE MOLD FLASH. ALLOWABLE MOLD FLASH IS 0.010 (0.250) PER SIDE.
5. DIMENSIONING AND TOLERANCING PER ANSI Y14.5M, 1982.
6. CONTROLLING DIMENSION: INCH.
7. THE PACKAGE TOP MAY BE SMALLER THAN THE PACKAGE BOTTOM BY UP TO 0.012 (0.300). DIMENSIONS R AND U ARE DETERMINED AT THE OUTERMOST EXTREMES OF THE PLASTIC BODY EXCLUSIVE OF MOLD FLASH, TIE BAR BURRS, GATE BURRS AND INTERLEAD FLASH, BUT INCLUDING ANY MISMATCH BETWEEN THE TOP AND BOTTOM OF THE PLASTIC BODY.
8. DIMENSION H DOES NOT INCLUDE DAMBAR PROTRUSION OR INTRUSION. THE DAMBAR PROTRUSION(S) SHALL NOT CAUSE THE H DIMENSION TO BE GREATER THAN 0.037 (0.940). THE DAMBAR INTRUSION(S) SHALL NOT CAUSE THE H DIMENSION TO BE SMALLER THAN 0.025 (0.635).

DIM	INCHES		MILLIMETERS	
	MIN	MAX	MIN	MAX
A	0.785	0.795	19.94	20.19
B	0.785	0.795	19.94	20.19
C	0.165	0.180	4.20	4.57
E	0.090	0.110	2.29	2.79
F	0.013	0.019	0.33	0.48
G	0.050 BSC		1.27 BSC	
H	0.026	0.032	0.66	0.81
J	0.020	—	0.51	—
K	0.025	—	0.64	—
R	0.750	0.756	19.05	19.20
U	0.750	0.756	19.05	19.20
V	0.042	0.048	1.07	1.21
W	0.042	0.048	1.07	1.21
X	0.042	0.056	1.07	1.42
Y	—	0.020	—	0.50
Z	2°	10°	2°	10°
G1	0.710	0.730	18.04	18.54
K1	0.040	—	1.02	—

Mfax is a trademark of Motorola, Inc.

How to reach us:

USA/EUROPE/Locations Not Listed: Motorola Literature Distribution; P.O. Box 5405, Denver, Colorado 80217. 303-675-2140 or 1-800-441-2447

JAPAN: Nippon Motorola Ltd.: SPD, Strategic Planning Office, 4-32-1, Nishi-Gotanda, Shinagawa-ku, Tokyo 141, Japan. 81-3-5487-8488

Mfax™: RMFAX0@email.sps.mot.com – TOUCHTONE 602-244-6609
– US & Canada ONLY 1-800-774-1848

ASIA/PACIFIC: Motorola Semiconductors H.K. Ltd.; 8B Tai Ping Industrial Park, 51 Ting Kok Road, Tai Po, N.T., Hong Kong. 852-26629298

INTERNET: <http://motorola.com/sps>

