

# DATA SHEET

## **TDA8761A**

**9-bit analog-to-digital converter for  
digital video**

Product specification  
Supersedes data of 1997 Aug 21  
File under Integrated Circuits, IC02

1998 Nov 03

## 9-bit analog-to-digital converter for digital video

## TDA8761A

### FEATURES

- 9-bit resolution
- Sampling rate up to 40 MHz
- DC sampling allowed
- One clock cycle conversion only
- High signal-to-noise ratio over a large analog input frequency range (8.2 effective bits at 10 MHz full-scale input at  $f_{\text{clk}} = 30$  MHz)
- No missing codes guaranteed
- In Range (IR) CMOS output
- Levels TTL and CMOS compatible digital inputs
- 3 to 5 V CMOS digital outputs
- Low-level AC clock input signal allowed
- External reference voltage regulator
- Power dissipation only 158 mW (typical)
- Low analog input capacitance, no buffer amplifier required
- No sample-and-hold circuit required.

### APPLICATIONS

Analog-to-digital conversion for:

- Video data digitizing
- Digital Video Broadcasting (DVB)
- Cable TV.

### GENERAL DESCRIPTION

The TDA8761A is a 9-bit Analog-to-Digital Converter (ADC) for professional video and digital video set box applications. It converts the analog input signal into 9-bit binary-coded digital words at a maximum sampling rate of 40 MHz. Its linearity performance ensures the required conversion accuracy in the event of 256-QAM demodulator concept and for all symbol frequencies. All digital inputs and outputs are TTL and CMOS compatible, although a low-level sine wave clock input signal is allowed.

### QUICK REFERENCE DATA

SYMBOL	PARAMETER	CONDITIONS	MIN.	TYP.	MAX.	UNIT
$V_{\text{CCA}}$	analog supply voltage		4.75	5.0	5.25	V
$V_{\text{CCD}}$	digital supply voltage		4.75	5.0	5.25	V
$V_{\text{CCO}}$	output stages supply voltage		3.0	3.3	5.25	V
$I_{\text{CCA}}$	analog supply current		–	18	24	mA
$I_{\text{CCD}}$	digital supply current		–	13	18	mA
$I_{\text{CCO}}$	output stages supply current	$f_{\text{clk}} = 30$ MHz; ramp input	–	1	2	mA
INL	integral non-linearity	$f_{\text{clk}} = 30$ MHz; ramp input	–	$\pm 0.8$	$\pm 1.6$	LSB
AINL	AC integral non-linearity	full-scale input sine wave; note 1	–	$\pm 0.75$	0.9	LSB
		50% full-scale input sine wave; note 1	–	$\pm 0.5$	$\pm 0.75$	LSB
DNL	differential non-linearity	$f_{\text{clk}} = 30$ MHz; ramp input	–	$\pm 0.3$	$\pm 0.7$	LSB
ADNL	AC differential non-linearity	full-scale input sine wave; note 1	–	$\pm 0.5$	$\pm 0.75$	LSB
		50% full-scale input sine wave; note 1	–	$\pm 0.3$	$\pm 0.5$	LSB
$f_{\text{clk(max)}}$	maximum clock frequency		40	–	–	MHz
$P_{\text{tot}}$	total power dissipation		–	158	173	mW

### Note

1.  $f_i = 10$  MHz and  $f_{\text{clk}} = 30$  MHz;  $f_i = 8$  MHz and  $f_{\text{clk}} = 20$  MHz.

# 9-bit analog-to-digital converter for digital video

TDA8761A

## ORDERING INFORMATION

TYPE NUMBER	PACKAGE		
	NAME	DESCRIPTION	VERSION
TDA8761AM	SSOP28	plastic shrink small outline package; 28 leads; body width 5.3 mm	SOT341-1

## BLOCK DIAGRAM

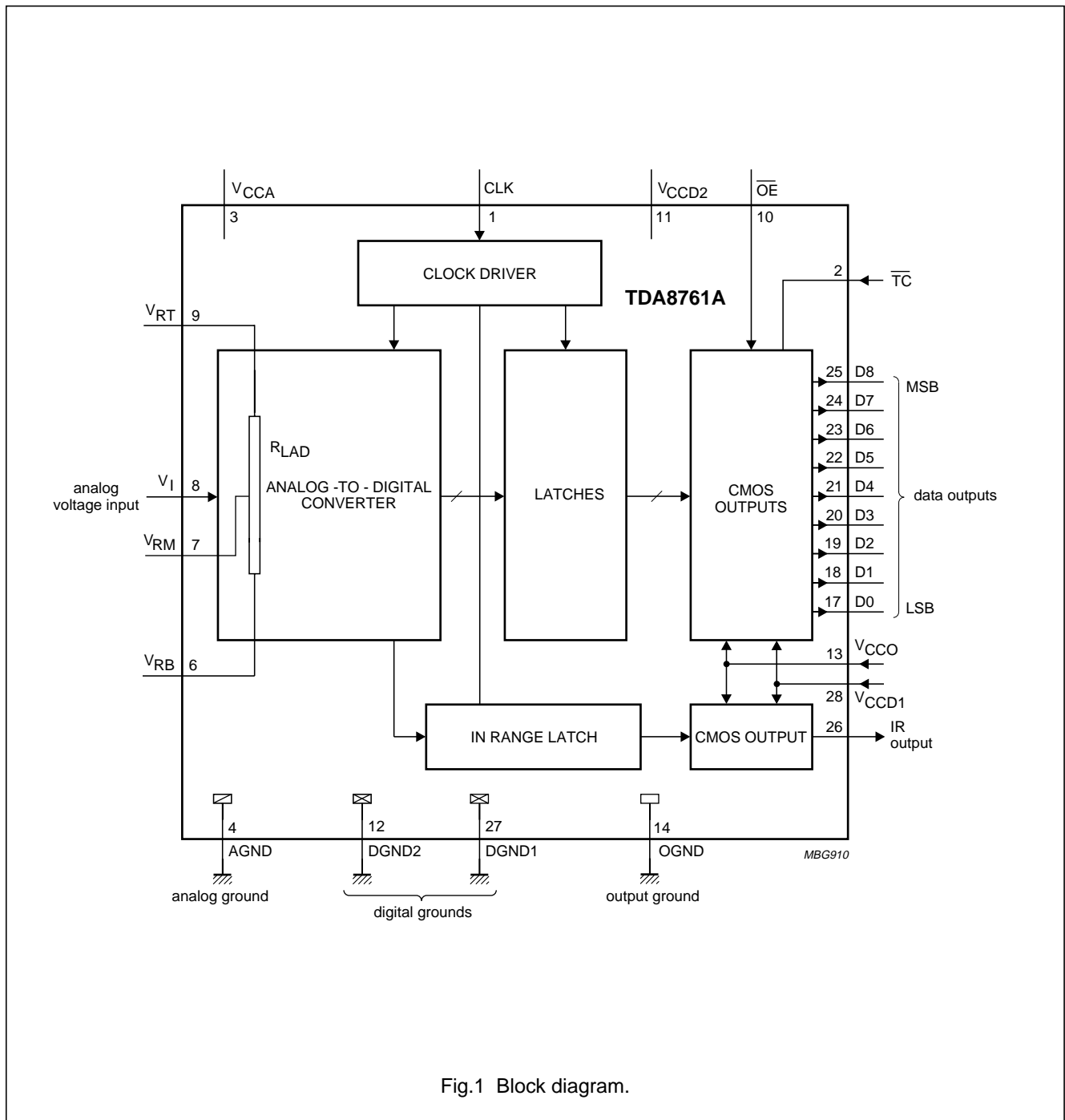


Fig.1 Block diagram.

# 9-bit analog-to-digital converter for digital video

TDA8761A

### PINNING

SYMBOL	PIN	DESCRIPTION
CLK	1	clock input
$\overline{TC}$	2	two's complement input (active LOW)
V <sub>CCA</sub>	3	analog supply voltage (5 V)
AGND	4	analog ground
n.c.	5	not connected
V <sub>RB</sub>	6	reference voltage BOTTOM input
V <sub>RM</sub>	7	reference voltage MIDDLE
V <sub>I</sub>	8	analog input voltage
V <sub>RT</sub>	9	reference voltage TOP input
$\overline{OE}$	10	output enable input (CMOS level input, active LOW)
V <sub>CCD2</sub>	11	digital supply voltage 2 (5 V)
DGND2	12	digital ground 2
V <sub>CCO</sub>	13	supply voltage for output stages (3 to 5 V)
OGND	14	output ground
n.c.	15	not connected
n.c.	16	not connected
D0	17	data output; bit 0 (LSB)
D1	18	data output; bit 1
D2	19	data output; bit 2
D3	20	data output; bit 3
D4	21	data output; bit 4
D5	22	data output; bit 5
D6	23	data output; bit 6
D7	24	data output; bit 7
D8	25	data output; bit 8 (MSB)
IR	26	in range data output
DGND1	27	digital ground 1
V <sub>CCD1</sub>	28	digital supply voltage 1 (5 V)

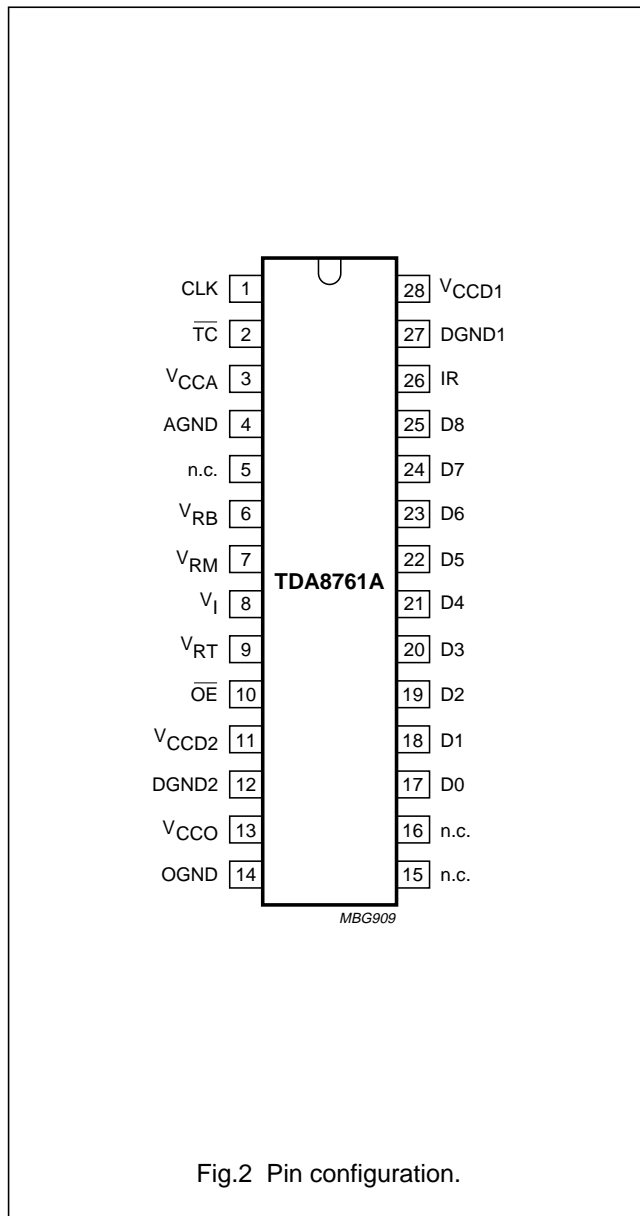


Fig.2 Pin configuration.

## 9-bit analog-to-digital converter for digital video

TDA8761A

### LIMITING VALUES

In accordance with the Absolute Maximum Rating System (IEC 134).

SYMBOL	PARAMETER	CONDITIONS	MIN.	MAX.	UNIT
$V_{CCA}$	analog supply voltage	note 1	-0.3	+7.0	V
$V_{CCD}$	digital supply voltage	note 1	-0.3	+7.0	V
$V_{CCO}$	output stages supply voltage	note 1	-0.3	+7.0	V
$\Delta V_{CC}$	supply voltage differences between				
	$V_{CCA}$ and $V_{CCD}$		-1.0	+1.0	V
	$V_{CCD}$ and $V_{CCO}$		-1.0	+4.0	V
	$V_{CCA}$ and $V_{CCO}$		-1.0	+4.0	V
$V_I$	input voltage	referenced to AGND	-0.3	+7.0	V
$V_{i(p-p)}$	AC input voltage for switching (peak-to-peak value)	referenced to DGND	-	$V_{CCD}$	V
$I_O$	output current		-	10	mA
$T_{stg}$	storage temperature		-55	+150	°C
$T_{amb}$	operating ambient temperature		0	+70	°C
$T_j$	junction temperature		-	+150	°C

### Note

- The supply voltages  $V_{CCA}$ ,  $V_{CCD}$  and  $V_{CCO}$  may have any value between -0.3 and +7.0 V provided that the supply voltage differences  $\Delta V_{CC}$  are respected.

### HANDLING

Inputs and outputs are protected against electrostatic discharges in normal handling. However, to be totally safe, it is desirable to take normal precautions appropriate to handling integrated circuits.

### THERMAL CHARACTERISTICS

SYMBOL	PARAMETER	CONDITIONS	VALUE	UNIT
$R_{th(j-a)}$	thermal resistance from junction to ambient	in free air	110	K/W

## 9-bit analog-to-digital converter for digital video

TDA8761A

### CHARACTERISTICS

$V_{CCA} = V_3$  to  $V_4 = 4.75$  to  $5.25$  V;  $V_{CCD} = V_{11}$  to  $V_{12}$  and  $V_{28}$  to  $V_{27} = 4.75$  to  $5.25$  V;  $V_{CCO} = V_{13}$  to  $V_{14} = 3.0$  to  $5.25$  V; AGND and DGND shorted together;  $T_{amb} = 0$  to  $70$  °C; typical values measured at  $V_{CCA} = V_{CCD} = 5$  V and  $V_{CCO} = 3.3$  V;  $V_{i(p-p)} = 1.8$  V;  $C_L = 15$  pF and  $T_{amb} = 25$  °C; unless otherwise specified.

SYMBOL	PARAMETER	CONDITIONS	MIN.	TYP.	MAX.	UNIT
<b>Supplies</b>						
$V_{CCA}$	analog supply voltage		4.75	5.0	5.25	V
$V_{CCD}$	digital supply voltage		4.75	5.0	5.25	V
$V_{CCO}$	output stages supply voltage		3.0	3.3	5.25	V
$\Delta V_{CC}$	supply voltage differences between					
	$V_{CCA}$ and $V_{CCD}$		-0.2	-	+0.2	V
	$V_{CCA}$ and $V_{CCO}$		-0.2	-	+2.25	V
	$V_{CCD}$ and $V_{CCO}$		-0.2	-	+2.25	V
$I_{CCA}$	analog supply current		-	18	24	mA
$I_{CCD}$	digital supply current		-	13	18	mA
$I_{CCO}$	output stages supply current	$f_{clk} = 30$ MHz; ramp input	-	1	2	mA
<b>Inputs</b>						
CLOCK INPUT CLK (REFERENCED TO DGND); note 1						
$V_{IL}$	LOW-level input voltage		0	-	0.8	V
$V_{IH}$	HIGH-level input voltage		2	-	$V_{CCD}$	V
$I_{IL}$	LOW-level input current	$V_{clk} = 0.8$ V	-1	0	+1	$\mu$ A
$I_{IH}$	HIGH-level input current	$V_{clk} = 2$ V	-	2	10	$\mu$ A
$Z_i$	input impedance	$f_{clk} = 30$ MHz	-	2	-	k $\Omega$
$C_i$	input capacitance		-	2	-	pF
INPUTS $\overline{OE}$ AND $\overline{TC}$ (REFERENCED TO DGND); see Table 2						
$V_{IL}$	LOW-level input voltage		0	-	0.8	V
$V_{IH}$	HIGH-level input voltage		2	-	$V_{CCD}$	V
$I_{IL}$	LOW-level input current	$V_{IL} = 0.8$ V	-1	-	-	$\mu$ A
$I_{IH}$	HIGH-level input current	$V_{IH} = 2.0$ V	-	-	1	$\mu$ A
$V_i$ (ANALOG INPUT VOLTAGE REFERENCED TO AGND)						
$I_{IL}$	LOW-level input current	$V_i = V_{RB} = 1.3$ V	-	17	-	$\mu$ A
$I_{IH}$	HIGH-level input current	$V_i = V_{RT} = 3.43$ V	-	35	-	$\mu$ A
$Z_i$	input impedance	$f_i = 10$ MHz	-	8	-	k $\Omega$
$C_i$	input capacitance		-	5	-	pF

# 9-bit analog-to-digital converter for digital video

TDA8761A

SYMBOL	PARAMETER	CONDITIONS	MIN.	TYP.	MAX.	UNIT
<b>Reference voltages for the resistor ladder; see Table 1</b>						
$V_{RB}$	reference voltage BOTTOM		1.2	1.3	2.45	V
$V_{RT}$	reference voltage TOP		3.2	3.43	$V_{CCA} - 0.8$	V
$V_{diff}$	differential reference voltage $V_{RT} - V_{RB}$		2	2.13	3.0	V
$I_{ref}$	reference current	$V_{RT} - V_{RB} = 2.13$ V	–	8.7	–	mA
$R_{LAD}$	resistor ladder		–	245	–	$\Omega$
$TC_{RLAD}$	temperature coefficient of the resistor ladder		–	1860	–	ppm
			–	456	–	m $\Omega$ /K
$V_{osB}$	offset voltage BOTTOM	note 2	–	160	–	mV
$V_{osT}$	offset voltage TOP	note 2	–	160	–	mV
$V_{i(p-p)}$	analog input voltage (peak-to-peak value)	note 3	1.7	1.81	2.55	V
<b>Outputs</b>						
DIGITAL OUTPUTS D8 TO D0 AND IR (REFERENCED TO OGND)						
$V_{OL}$	LOW-level output voltage	$I_{OL} = 1$ mA	0	–	0.5	V
$V_{OH}$	HIGH-level output voltage	$I_{OH} = -1$ mA	$V_{CCO} - 0.5$	–	$V_{CCO}$	V
$I_{OZ}$	output current in 3-state mode	$0.5$ V < $V_O$ < $V_{CCO}$	–20	–	+20	$\mu$ A
<b>Switching characteristics</b>						
CLOCK INPUT CLK; see Fig.4; note 1						
$f_{clk(max)}$	maximum clock frequency		40	–	–	MHz
$t_{CPH}$	clock pulse width HIGH		10	–	–	ns
$t_{CPL}$	clock pulse width LOW		10	–	–	ns
<b>Analog signal processing</b>						
LINEARITY						
INL	integral non-linearity	$f_{clk} = 30$ MHz; ramp input	–	$\pm 0.4$	$\pm 1$	LSB
AINL	AC integral non-linearity	full-scale input sine wave; note 4	–	$\pm 0.75$	$\pm 0.9$	LSB
		50% full-scale input sine wave; note 4	–	$\pm 0.5$	$\pm 0.75$	LSB
DNL	differential non-linearity	$f_{clk} = 30$ MHz; ramp input	–	$\pm 0.3$	$\pm 0.7$	LSB
ADNL	AC differential non-linearity	full-scale input sine wave; note 4	–	$\pm 0.5$	$\pm 0.75$	LSB
		50% full-scale input sine wave; note 4	–	$\pm 0.3$	$\pm 0.5$	LSB
OFER	offset error	middle code; $V_{RB} = 1.3$ V; $V_{RT} = 3.43$ V	–	$\pm 1$	–	LSB
GER	gain error (from device to device)	$V_{RB} = 1.3$ V; $V_{RT} = 3.43$ V; note 5	–	$\pm 0.1$	–	%

# 9-bit analog-to-digital converter for digital video

TDA8761A

SYMBOL	PARAMETER	CONDITIONS	MIN.	TYP.	MAX.	UNIT
BANDWIDTH ( $f_{\text{clk}} = 30 \text{ MHz}$ )						
B	analog bandwidth	full-scale sine wave; note 6	–	15	–	MHz
		75% full-scale sine wave; note 6	–	20	–	MHz
		small signal at mid-scale; $V_I = \pm 10 \text{ LSB}$ at code 256; note 6	–	350	–	MHz
$t_{\text{STLH}}$	analog input settling time LOW-to-HIGH	full-scale square wave; Fig.6; note 7	–	1.5	3.0	ns
$t_{\text{STHL}}$	analog input settling time HIGH-to-LOW	full-scale square wave; Fig.6; note 7	–	1.5	3.0	ns
HARMONICS ( $f_{\text{clk}} = 30 \text{ MHz}$ ); see Figs 7 and 8						
THD	total harmonic distortion	$f_i = 10 \text{ MHz}$	–	–56	–	dB
SIGNAL-TO-NOISE RATIO; see Figs 7 and 8; note 8						
SNR	signal-to-noise ratio (full scale)	without harmonics; $f_{\text{clk}} = 30 \text{ MHz}$ ; $f_i = 10 \text{ MHz}$	53	55	–	dB
EFFECTIVE BITS; see Figs 7 and 8; note 8						
ENOB	effective bits	$f_{\text{clk}} = 30 \text{ MHz}$	–	8.8	–	bits
		$f_i = 4.43 \text{ MHz}$	–	8.2	–	bits
		$f_i = 10 \text{ MHz}$	–	8.2	–	bits
TWO-TONE; note 9						
TTIR	two-tone intermodulation rejection	$f_{\text{clk}} = 30 \text{ MHz}$	–	–56	–	dB
BIT ERROR RATE						
BER	bit error rate	$f_{\text{clk}} = 30 \text{ MHz}$ ; $f_i = 10 \text{ MHz}$ ; $V_I = \pm 16 \text{ LSB}$ at code 256	–	$10^{-13}$	–	times/ sample
DIFFERENTIAL GAIN; note 10						
$G_{\text{diff}}$	differential gain	$f_{\text{clk}} = 30 \text{ MHz}$ ; PAL modulated ramp	–	0.5	–	%
DIFFERENTIAL PHASE; note 10						
$\varphi_{\text{diff}}$	differential phase	$f_{\text{clk}} = 30 \text{ MHz}$ ; PAL modulated ramp	–	0.3	–	°C



9-bit analog-to-digital converter  
for digital video

TDA8761A

SYMBOL	PARAMETER	CONDITIONS	MIN.	TYP.	MAX.	UNIT
<b>Timing (<math>f_{clk} = 30 \text{ MHz}</math>; <math>C_L = 15 \text{ pF}</math>); see Fig.4; note 11</b>						
$t_{ds}$	sampling delay time		–	3	–	ns
$t_h$	output hold time		4	–	–	ns
$t_d$	output delay time	$V_{CCO} = 4.75 \text{ V}$	–	10	13	ns
		$V_{CCO} = 3.15 \text{ V}$	–	12	15	ns
$C_L$	digital output load		–	–	15	pF
<b>3-state output delay times; see Fig.5</b>						
$t_{dZH}$	enable HIGH		–	5.5	8.5	ns
$t_{dZL}$	enable LOW		–	12	15	ns
$t_{dHZ}$	disable HIGH		–	19	24	ns
$t_{dLZ}$	disable LOW		–	12	15	ns

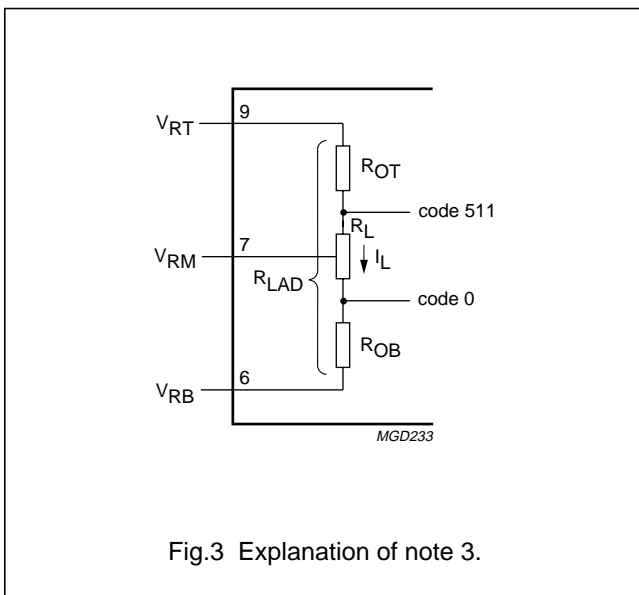
**Notes**

- In addition to a good layout of the digital and analog ground, it is recommended that the rise and fall times of the clock must not be less than 0.5 ns.
- Analog input voltages producing code 0 up to and including code 511:
  - $V_{osB}$  (voltage offset BOTTOM) is the difference between the analog input which produces data equal to 00 and the reference voltage BOTTOM ( $V_{RB}$ ) at  $T_{amb} = 25 \text{ }^\circ\text{C}$ .
  - $V_{osT}$  (voltage offset TOP) is the difference between  $V_{RT}$  (reference voltage TOP) and the analog input which produces data outputs equal to code 511 at  $T_{amb} = 25 \text{ }^\circ\text{C}$ .
- In order to ensure the optimum linearity performance of such converter architecture the lower and upper extremities of the converter reference resistor ladder (corresponding to output codes 0 and 511 respectively) are connected to pins  $V_{RB}$  and  $V_{RT}$  via offset resistors  $R_{OB}$  and  $R_{OT}$  as shown in Fig.3.
  - The current flowing into the resistor ladder is  $I_L = \frac{V_{RT} - V_{RB}}{R_{OB} + R_L + R_{OT}}$  and the full-scale input range at the converter, to cover code 0 to code 511, is  $V_I = R_L \times I_L = \frac{R_L}{R_{OB} + R_L + R_{OT}} \times (V_{RT} - V_{RB}) = 0.852 \times (V_{RT} - V_{RB})$
  - Since  $R_L$ ,  $R_{OB}$  and  $R_{OT}$  have similar behaviour with respect to process and temperature variation, the ratio  $\frac{R_L}{R_{OB} + R_L + R_{OT}}$  will be kept reasonably constant from device to device. Consequently variation of the output codes at a given input voltage depends mainly on the difference  $V_{RT} - V_{RB}$  and its variation with temperature and supply voltage. When several ADCs are connected in parallel and fed with the same reference source, the matching between each of them is then optimized.
- $f_i = 10 \text{ MHz}$  and  $f_{clk} = 30 \text{ MHz}$ ;  $f_i = 8 \text{ MHz}$  and  $f_{clk} = 20 \text{ MHz}$ .
- $GER = \frac{(V_{511} - V_0) - V_{i(p-p)}}{V_{i(p-p)}} \times 100$
- The analog bandwidth is defined as the maximum input sine wave frequency which can be applied to the device. No glitches greater than 2 LSBs, neither any significant attenuation are observed in the reconstructed signal.
- The analog input settling time is the minimum time required for the input signal to be stabilized after a sharp full-scale input (square wave signal) in order to sample the signal and obtain correct output data.

# 9-bit analog-to-digital converter for digital video

TDA8761A

8. Effective bits are obtained via a Fast Fourier Transform (FFT) treatment taking 8 K acquisition points per equivalent fundamental period. The calculation takes into account all harmonics and noise up to half of the clock frequency (NYQUIST frequency). Conversion to signal-to-noise ratio:  $S/N = ENOB \times 6.02 + 1.76 \text{ dB}$ .
9. Intermodulation measured relative to either tone with analog input frequencies of 10.0 and 10.10 MHz. The two input signals have the same amplitude and the total amplitude of both signals provides full-scale to the converter.
10. Measurement carried out using video analyser VM700A, where the video analog signal is reconstructed through a digital-to-analog converter.
11. Output data acquisition: the output data is available after the maximum delay time of  $t_d$ .



# 9-bit analog-to-digital converter for digital video

TDA8761A

**Table 1** Output coding and input voltage (typical values; referenced to AGND,  $V_{RB} = 1.3\text{ V}$ ,  $V_{RT} = 3.43\text{ V}$ )

STEP	$V_{I(p-p)}$	IR	BINARY OUTPUT BITS										TWO'S COMPLEMENT OUTPUT BITS							
			D8	D7	D6	D5	D4	D3	D2	D1	D0	D8	D7	D6	D5	D4	D3	D2	D1	D0
U/F	<1.46	0	0	0	0	0	0	0	0	0	0	1	0	0	0	0	0	0	0	0
0	1.46	1	0	0	0	0	0	0	0	0	0	1	0	0	0	0	0	0	0	0
1	.	1	0	0	0	0	0	0	0	0	1	1	0	0	0	0	0	0	0	1
.	.	.	.	.	.	.	.	.	.	.	.	.	.	.	.	.	.	.	.	.
.	.	.	.	.	.	.	.	.	.	.	.	.	.	.	.	.	.	.	.	.
510	.	1	1	1	1	1	1	1	1	1	0	0	1	1	1	1	1	1	1	0
511	3.27	1	1	1	1	1	1	1	1	1	0	0	1	1	1	1	1	1	1	1
O/F	>3.27	0	1	1	1	1	1	1	1	1	0	0	1	1	1	1	1	1	1	1

**Table 2** Mode selection

$\overline{TC}$	$\overline{OE}$	D8 to D0	IR
X	1	high impedance	high impedance
0	0	active; two's complement	active
1	0	active; binary	active

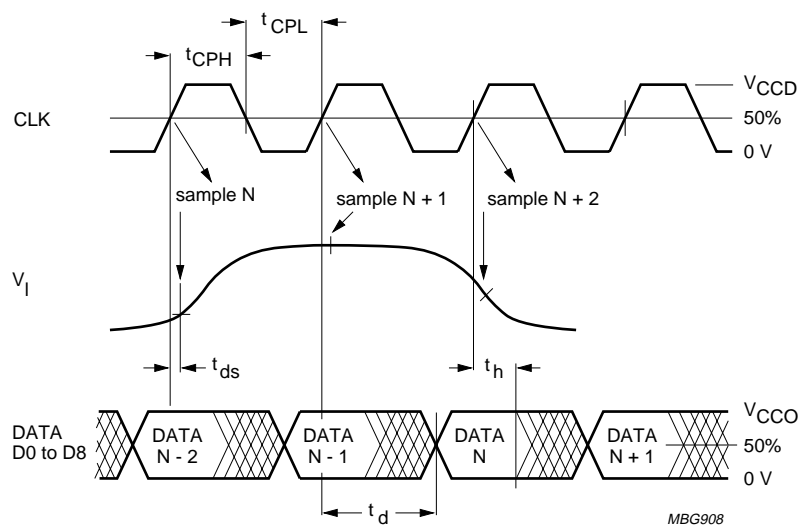
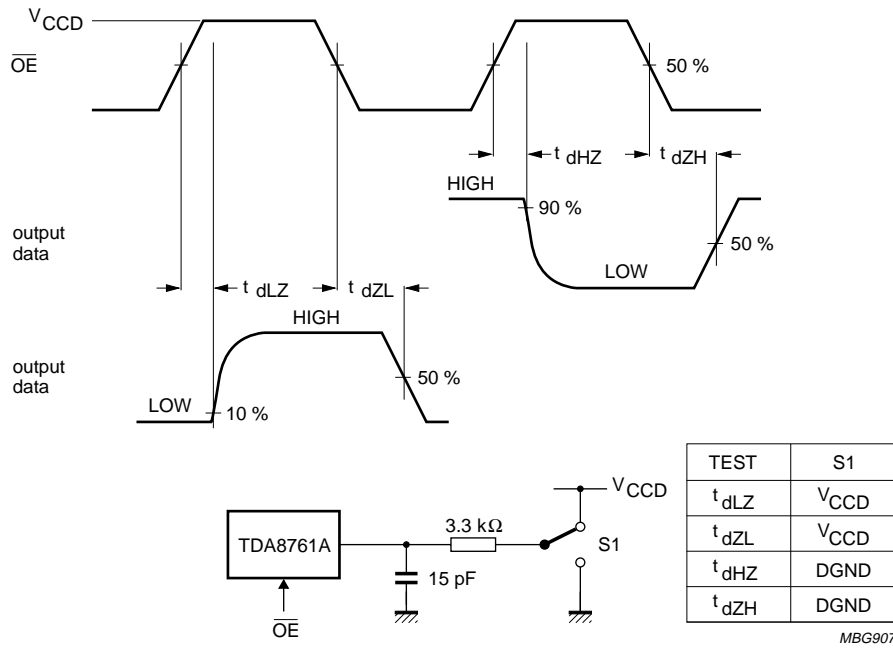


Fig.4 Timing diagram.

9-bit analog-to-digital converter  
for digital video

TDA8761A



$f_{OE} = 100 \text{ kHz}$ .

Fig.5 Timing diagram and test conditions of 3-state output delay time.

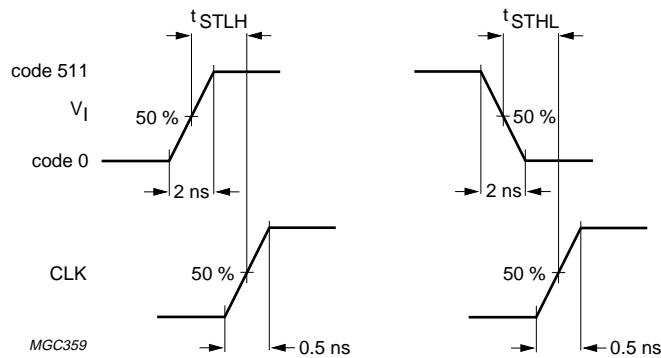
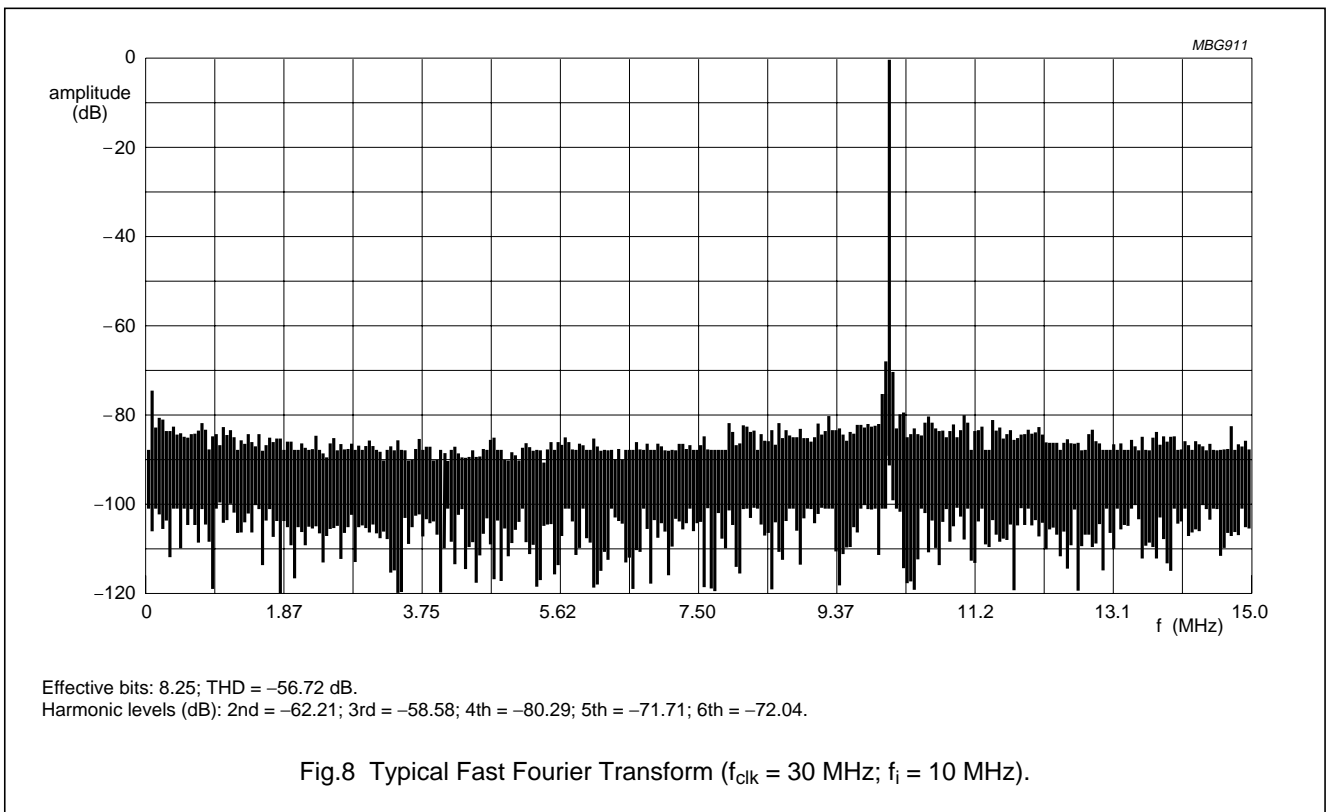
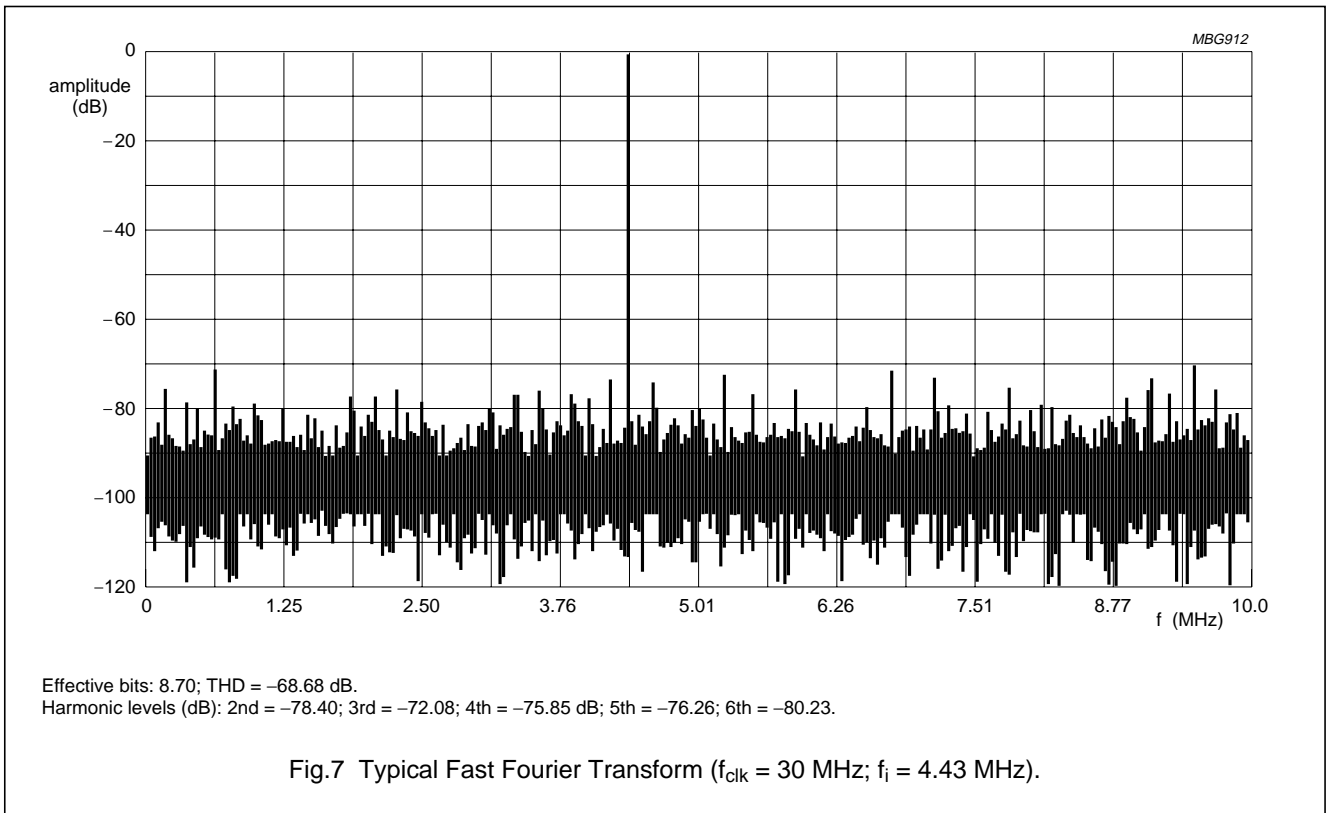


Fig.6 Analog input settling-time diagram.

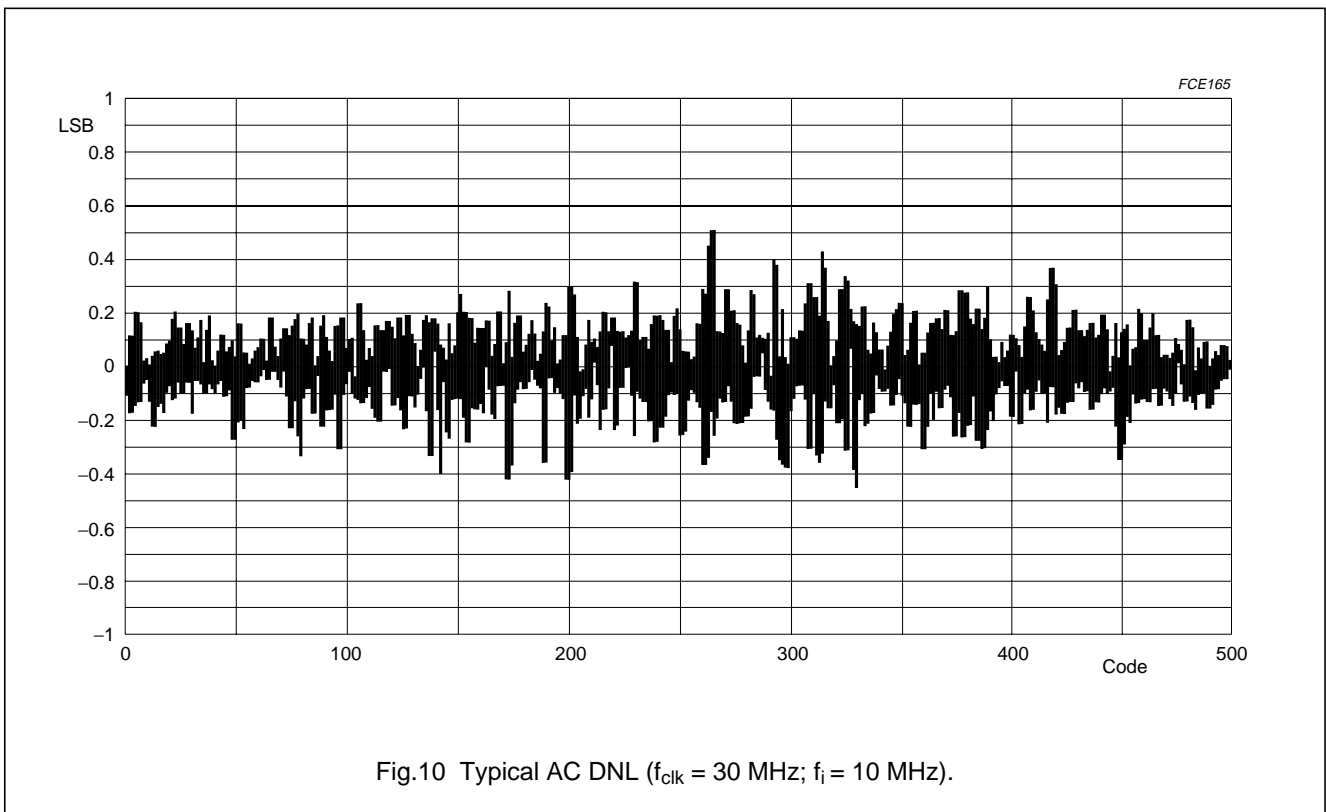
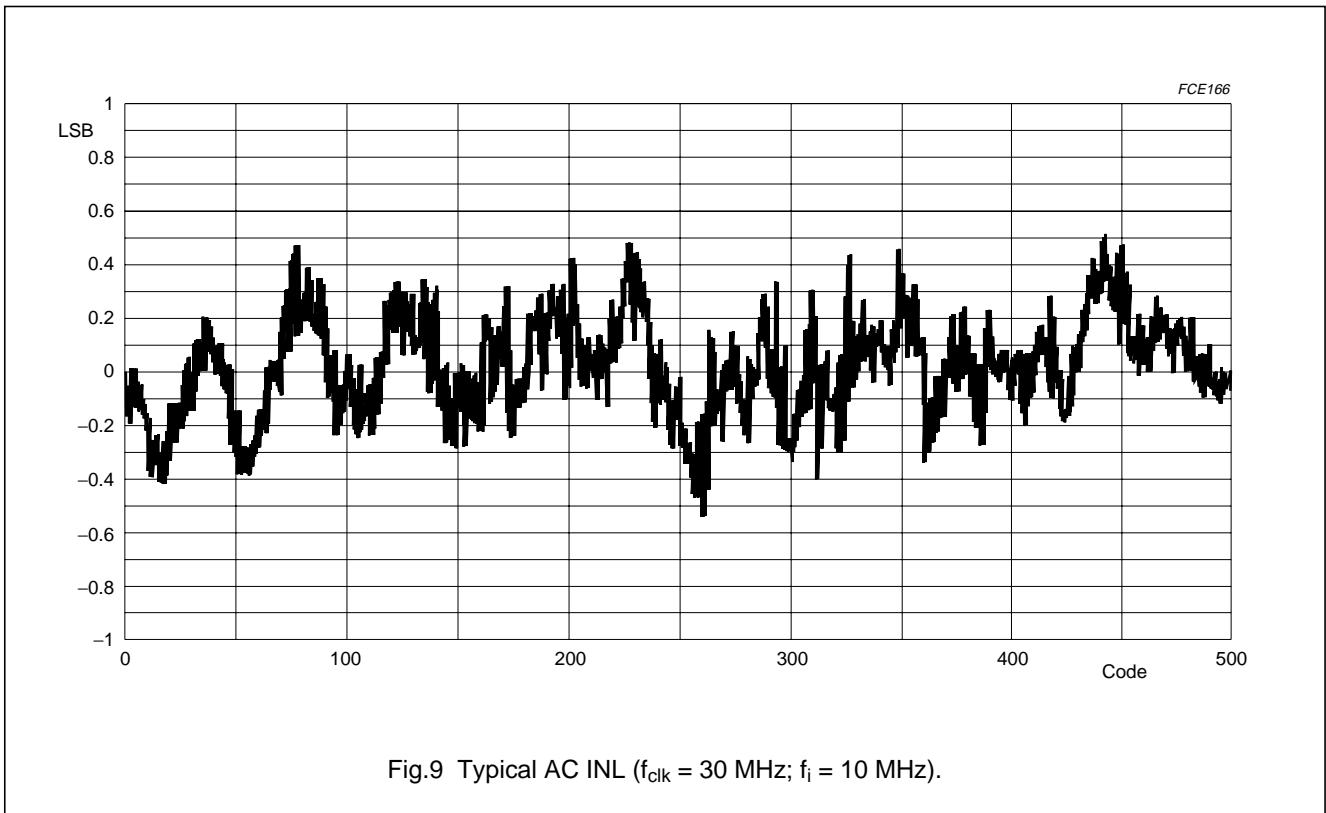
9-bit analog-to-digital converter  
for digital video

TDA8761A



9-bit analog-to-digital converter  
for digital video

TDA8761A



# 9-bit analog-to-digital converter for digital video

TDA8761A

## INTERNAL PIN CONFIGURATIONS

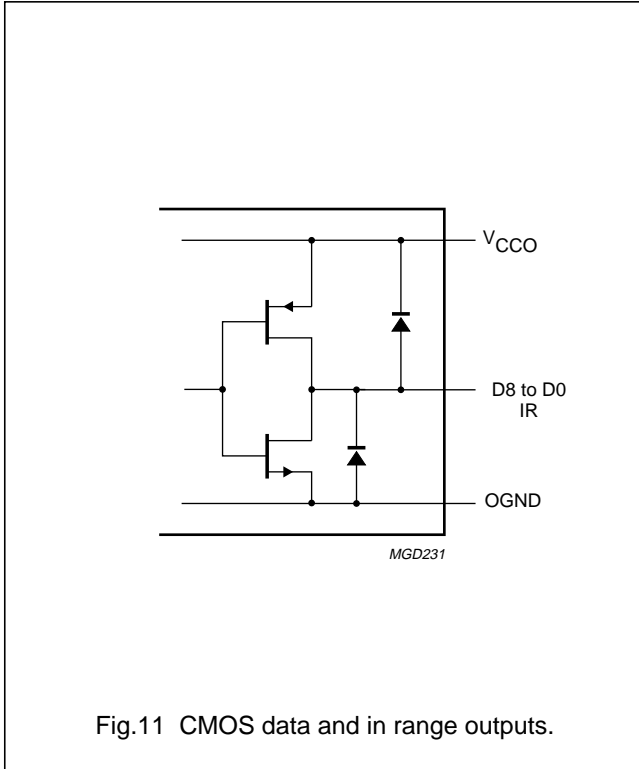


Fig.11 CMOS data and in range outputs.

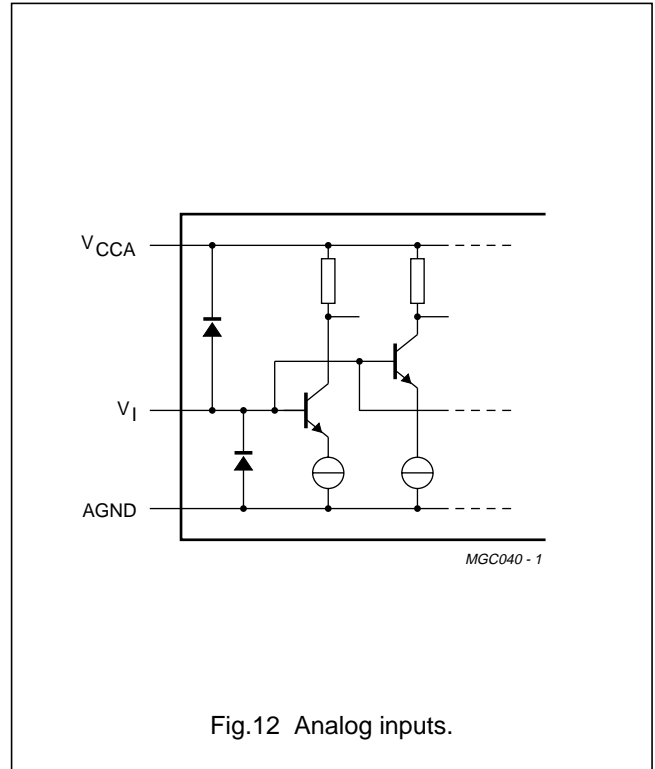


Fig.12 Analog inputs.

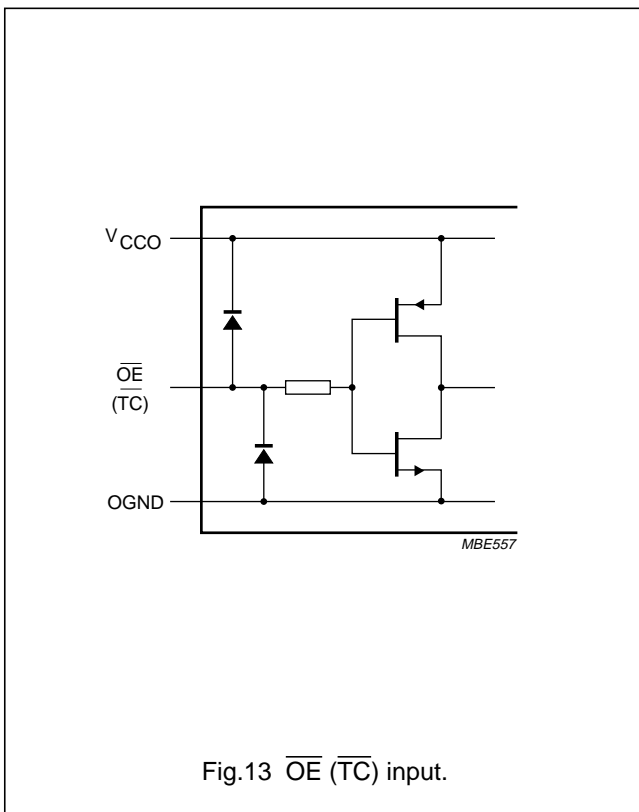


Fig.13  $\overline{OE}$  ( $\overline{TC}$ ) input.

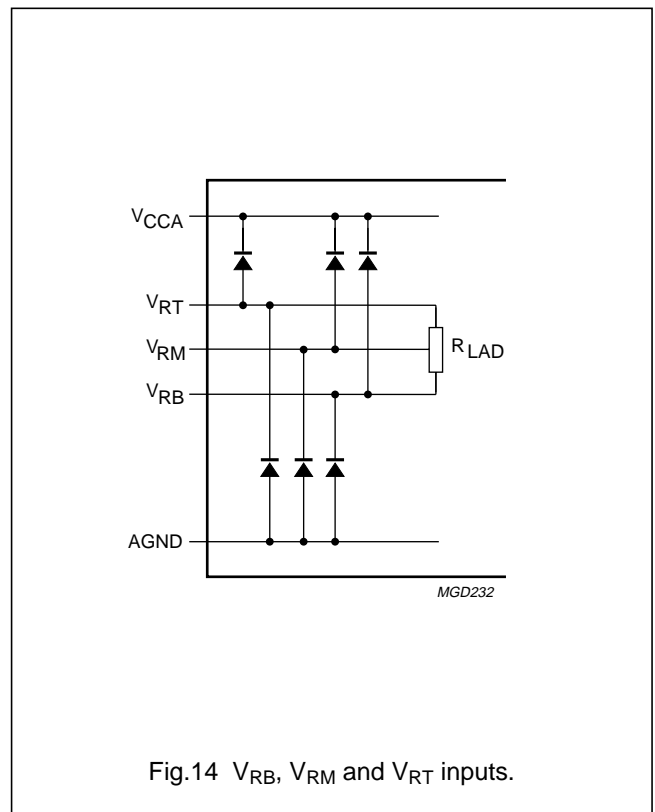
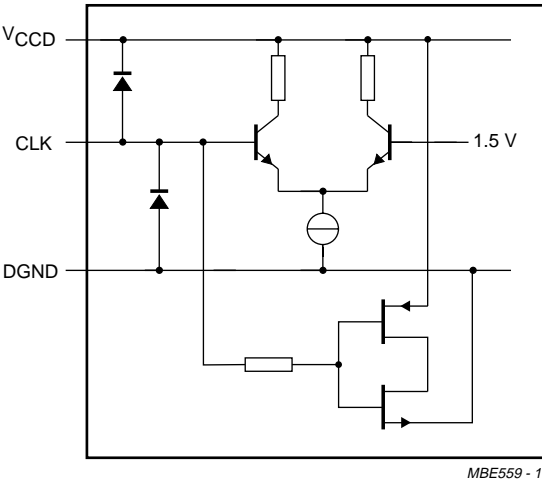


Fig.14  $V_{RB}$ ,  $V_{RM}$  and  $V_{RT}$  inputs.

9-bit analog-to-digital converter  
for digital video

TDA8761A



MBE559 - 1

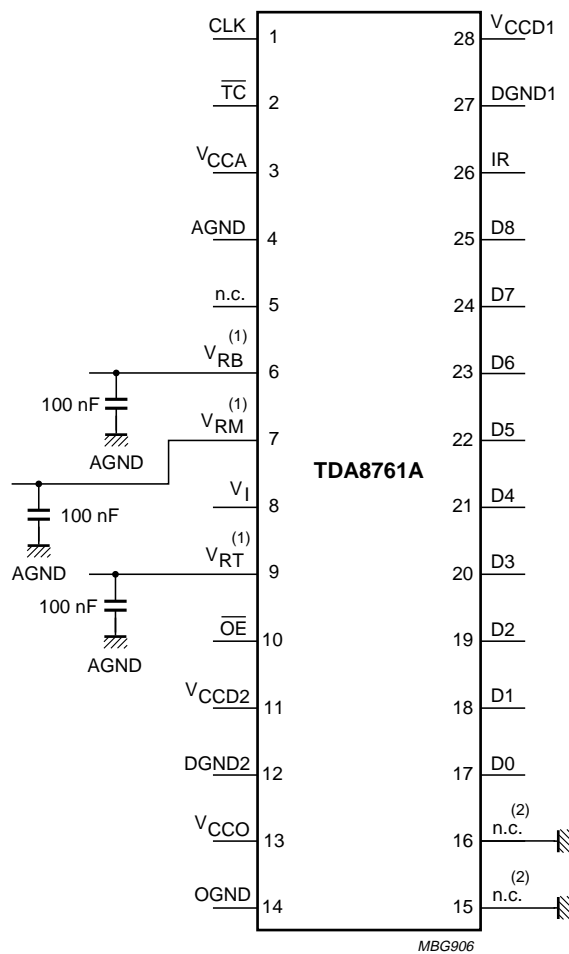
Fig.15 CLK input.



# 9-bit analog-to-digital converter for digital video

TDA8761A

## APPLICATION INFORMATION



The analog and digital supplies should be separated and decoupled.

The external voltage regulator must be built such that a good supply voltage ripple rejection is achieved with respect to the LSB value. Eventually, the reference ladder voltages can be derived from a well regulated  $V_{CCA}$  supply through a resistor bridge and a decoupled capacitor.

(1)  $V_{RB}$ ,  $V_{RM}$  and  $V_{RT}$  are decoupled to AGND.

(2) Pins 15 and 16 may be connected to DGND in order to prevent noise influence.

Fig.16 Application diagram.

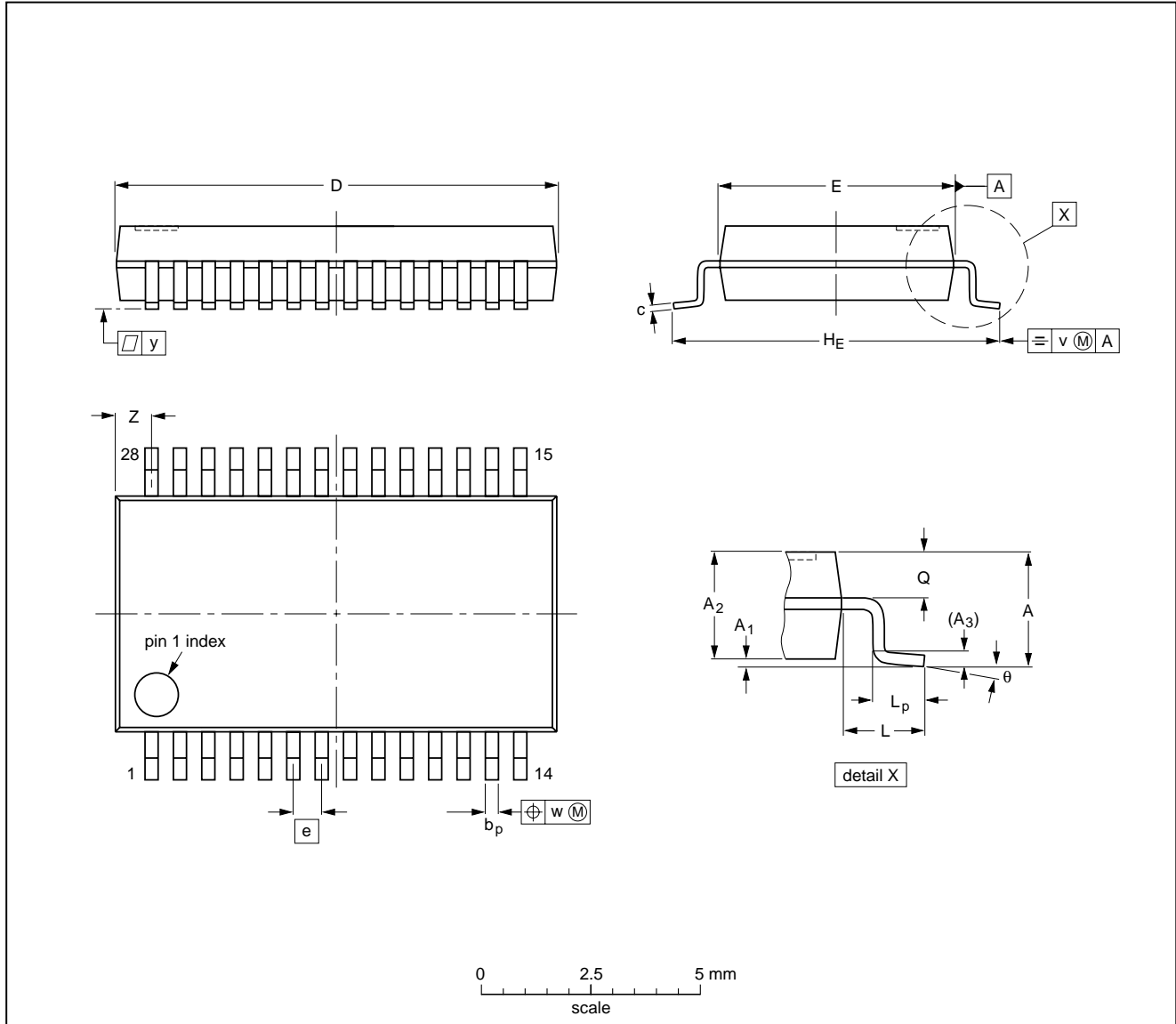
9-bit analog-to-digital converter  
for digital video

TDA8761A

PACKAGE OUTLINE

SSOP28: plastic shrink small outline package; 28 leads; body width 5.3 mm

SOT341-1



DIMENSIONS (mm are the original dimensions)

UNIT	A max.	A <sub>1</sub>	A <sub>2</sub>	A <sub>3</sub>	b <sub>p</sub>	c	D <sup>(1)</sup>	E <sup>(1)</sup>	e	H <sub>E</sub>	L	L <sub>p</sub>	Q	v	w	y	Z <sup>(1)</sup>	$\theta$
mm	2.0	0.21 0.05	1.80 1.65	0.25	0.38 0.25	0.20 0.09	10.4 10.0	5.4 5.2	0.65	7.9 7.6	1.25	1.03 0.63	0.9 0.7	0.2	0.13	0.1	1.1 0.7	8° 0°

Note

1. Plastic or metal protrusions of 0.20 mm maximum per side are not included.

OUTLINE VERSION	REFERENCES				EUROPEAN PROJECTION	ISSUE DATE
	IEC	JEDEC	EIAJ			
SOT341-1		MO-150AH				93-09-08 95-02-04

## 9-bit analog-to-digital converter for digital video

TDA8761A

### SOLDERING

#### Introduction

There is no soldering method that is ideal for all IC packages. Wave soldering is often preferred when through-hole and surface mounted components are mixed on one printed-circuit board. However, wave soldering is not always suitable for surface mounted ICs, or for printed-circuits with high population densities. In these situations reflow soldering is often used.

This text gives a very brief insight to a complex technology. A more in-depth account of soldering ICs can be found in our *"Data Handbook IC26; Integrated Circuit Packages"* (order code 9398 652 90011).

#### Reflow soldering

Reflow soldering techniques are suitable for all SSOP packages.

Reflow soldering requires solder paste (a suspension of fine solder particles, flux and binding agent) to be applied to the printed-circuit board by screen printing, stencilling or pressure-syringe dispensing before package placement.

Several techniques exist for reflowing; for example, thermal conduction by heated belt. Dwell times vary between 50 and 300 seconds depending on heating method. Typical reflow temperatures range from 215 to 250 °C.

Preheating is necessary to dry the paste and evaporate the binding agent. Preheating duration: 45 minutes at 45 °C.

#### Wave soldering

Wave soldering is **not** recommended for SSOP packages. This is because of the likelihood of solder bridging due to closely-spaced leads and the possibility of incomplete solder penetration in multi-lead devices.

If wave soldering cannot be avoided, the following conditions must be observed:

- **A double-wave (a turbulent wave with high upward pressure followed by a smooth laminar wave) soldering technique should be used.**
- **The longitudinal axis of the package footprint must be parallel to the solder flow and must incorporate solder thieves at the downstream end.**

**Even with these conditions, only consider wave soldering SSOP packages that have a body width of 4.4 mm, that is SSOP16 (SOT369-1) or SSOP20 (SOT266-1).**

During placement and before soldering, the package must be fixed with a droplet of adhesive. The adhesive can be applied by screen printing, pin transfer or syringe dispensing. The package can be soldered after the adhesive is cured.

Maximum permissible solder temperature is 260 °C, and maximum duration of package immersion in solder is 10 seconds, if cooled to less than 150 °C within 6 seconds. Typical dwell time is 4 seconds at 250 °C.

A mildly-activated flux will eliminate the need for removal of corrosive residues in most applications.

#### Repairing soldered joints

Fix the component by first soldering two diagonally-opposite end leads. Use only a low voltage soldering iron (less than 24 V) applied to the flat part of the lead. Contact time must be limited to 10 seconds at up to 300 °C. When using a dedicated tool, all other leads can be soldered in one operation within 2 to 5 seconds between 270 and 320 °C.

---

**9-bit analog-to-digital converter  
for digital video**

---

TDA8761A

---

**DEFINITIONS**

<b>Data sheet status</b>	
Objective specification	This data sheet contains target or goal specifications for product development.
Preliminary specification	This data sheet contains preliminary data; supplementary data may be published later.
Product specification	This data sheet contains final product specifications.
<b>Limiting values</b>	
Limiting values given are in accordance with the Absolute Maximum Rating System (IEC 134). Stress above one or more of the limiting values may cause permanent damage to the device. These are stress ratings only and operation of the device at these or at any other conditions above those given in the Characteristics sections of the specification is not implied. Exposure to limiting values for extended periods may affect device reliability.	
<b>Application information</b>	
Where application information is given, it is advisory and does not form part of the specification.	

**LIFE SUPPORT APPLICATIONS**

These products are not designed for use in life support appliances, devices, or systems where malfunction of these products can reasonably be expected to result in personal injury. Philips customers using or selling these products for use in such applications do so at their own risk and agree to fully indemnify Philips for any damages resulting from such improper use or sale.

---

9-bit analog-to-digital converter  
for digital video

---

TDA8761A

**NOTES**

---

9-bit analog-to-digital converter  
for digital video

---

TDA8761A

**NOTES**

---

9-bit analog-to-digital converter  
for digital video

---

TDA8761A

**NOTES**

# Philips Semiconductors – a worldwide company

**Argentina:** see South America

**Australia:** 34 Waterloo Road, NORTH RYDE, NSW 2113, Tel. +61 2 9805 4455, Fax. +61 2 9805 4466

**Austria:** Computerstr. 6, A-1101 WIEN, P.O. Box 213, Tel. +43 160 1010, Fax. +43 160 101 1210

**Belarus:** Hotel Minsk Business Center, Bld. 3, r. 1211, Volodarski Str. 6, 220050 MINSK, Tel. +375 172 200 733, Fax. +375 172 200 773

**Belgium:** see The Netherlands

**Brazil:** see South America

**Bulgaria:** Philips Bulgaria Ltd., Energoproject, 15th floor, 51 James Bourchier Blvd., 1407 SOFIA, Tel. +359 2 689 211, Fax. +359 2 689 102

**Canada:** PHILIPS SEMICONDUCTORS/COMPONENTS, Tel. +1 800 234 7381

**China/Hong Kong:** 501 Hong Kong Industrial Technology Centre, 72 Tat Chee Avenue, Kowloon Tong, HONG KONG, Tel. +852 2319 7888, Fax. +852 2319 7700

**Colombia:** see South America

**Czech Republic:** see Austria

**Denmark:** Prags Boulevard 80, PB 1919, DK-2300 COPENHAGEN S, Tel. +45 32 88 2636, Fax. +45 31 57 0044

**Finland:** Sinikalliontie 3, FIN-02630 ESPOO, Tel. +358 9 615800, Fax. +358 9 61580920

**France:** 51 Rue Carnot, BP317, 92156 SURESNES Cedex, Tel. +33 1 40 99 6161, Fax. +33 1 40 99 6427

**Germany:** Hammerbrookstraße 69, D-20097 HAMBURG, Tel. +49 40 23 53 60, Fax. +49 40 23 536 300

**Greece:** No. 15, 25th March Street, GR 17778 TAVROS/ATHENS, Tel. +30 1 4894 339/239, Fax. +30 1 4814 240

**Hungary:** see Austria

**India:** Philips INDIA Ltd, Band Box Building, 2nd floor, 254-D, Dr. Annie Besant Road, Worli, MUMBAI 400 025, Tel. +91 22 493 8541, Fax. +91 22 493 0966

**Indonesia:** PT Philips Development Corporation, Semiconductors Division, Gedung Philips, Jl. Buncit Raya Kav.99-100, JAKARTA 12510, Tel. +62 21 794 0040 ext. 2501, Fax. +62 21 794 0080

**Ireland:** Newstead, Clonskeagh, DUBLIN 14, Tel. +353 1 7640 000, Fax. +353 1 7640 200

**Israel:** RAPAC Electronics, 7 Kehilat Saloniki St, PO Box 18053, TEL AVIV 61180, Tel. +972 3 645 0444, Fax. +972 3 649 1007

**Italy:** PHILIPS SEMICONDUCTORS, Piazza IV Novembre 3, 20124 MILANO, Tel. +39 2 6752 2531, Fax. +39 2 6752 2557

**Japan:** Philips Bldg 13-37, Kohnan 2-chome, Minato-ku, TOKYO 108-8507, Tel. +81 3 3740 5130, Fax. +81 3 3740 5077

**Korea:** Philips House, 260-199 Itaewon-dong, Yongsan-ku, SEOUL, Tel. +82 2 709 1412, Fax. +82 2 709 1415

**Malaysia:** No. 76 Jalan Universiti, 46200 PETALING JAYA, SELANGOR, Tel. +60 3 750 5214, Fax. +60 3 757 4880

**Mexico:** 5900 Gateway East, Suite 200, EL PASO, TEXAS 79905, Tel. +9-5 800 234 7381

**Middle East:** see Italy

**Netherlands:** Postbus 90050, 5600 PB EINDHOVEN, Bldg. VB, Tel. +31 40 27 82785, Fax. +31 40 27 88399

**New Zealand:** 2 Wagener Place, C.P.O. Box 1041, AUCKLAND, Tel. +64 9 849 4160, Fax. +64 9 849 7811

**Norway:** Box 1, Manglerud 0612, OSLO, Tel. +47 22 74 8000, Fax. +47 22 74 8341

**Pakistan:** see Singapore

**Philippines:** Philips Semiconductors Philippines Inc., 106 Valero St. Salcedo Village, P.O. Box 2108 MCC, MAKATI, Metro MANILA, Tel. +63 2 816 6380, Fax. +63 2 817 3474

**Poland:** Ul. Lukiska 10, PL 04-123 WARSZAWA, Tel. +48 22 612 2831, Fax. +48 22 612 2327

**Portugal:** see Spain

**Romania:** see Italy

**Russia:** Philips Russia, Ul. Usatcheva 35A, 119048 MOSCOW, Tel. +7 095 755 6918, Fax. +7 095 755 6919

**Singapore:** Lorong 1, Toa Payoh, SINGAPORE 319762, Tel. +65 350 2538, Fax. +65 251 6500

**Slovakia:** see Austria

**Slovenia:** see Italy

**South Africa:** S.A. PHILIPS Pty Ltd., 195-215 Main Road Martindale, 2092 JOHANNESBURG, P.O. Box 7430 Johannesburg 2000, Tel. +27 11 470 5911, Fax. +27 11 470 5494

**South America:** Al. Vicente Pinzon, 173, 6th floor, 04547-130 SÃO PAULO, SP, Brazil, Tel. +55 11 821 2333, Fax. +55 11 821 2382

**Spain:** Balmes 22, 08007 BARCELONA, Tel. +34 93 301 6312, Fax. +34 93 301 4107

**Sweden:** Kottbygatan 7, Akalla, S-16485 STOCKHOLM, Tel. +46 8 5985 2000, Fax. +46 8 5985 2745

**Switzerland:** Allmendstrasse 140, CH-8027 ZÜRICH, Tel. +41 1 488 2741 Fax. +41 1 488 3263

**Taiwan:** Philips Semiconductors, 6F, No. 96, Chien Kuo N. Rd., Sec. 1, TAIPEI, Taiwan Tel. +886 2 2134 2865, Fax. +886 2 2134 2874

**Thailand:** PHILIPS ELECTRONICS (THAILAND) Ltd., 209/2 Sanpavuth-Bangna Road Prakanong, BANGKOK 10260, Tel. +66 2 745 4090, Fax. +66 2 398 0793

**Turkey:** Talatpasa Cad. No. 5, 80640 GÜLTEPE/ISTANBUL, Tel. +90 212 279 2770, Fax. +90 212 282 6707

**Ukraine:** PHILIPS UKRAINE, 4 Patrice Lumumba str., Building B, Floor 7, 252042 KIEV, Tel. +380 44 264 2776, Fax. +380 44 268 0461

**United Kingdom:** Philips Semiconductors Ltd., 276 Bath Road, Hayes, MIDDLESEX UB3 5BX, Tel. +44 181 730 5000, Fax. +44 181 754 8421

**United States:** 811 East Arques Avenue, SUNNYVALE, CA 94088-3409, Tel. +1 800 234 7381

**Uruguay:** see South America

**Vietnam:** see Singapore

**Yugoslavia:** PHILIPS, Trg N. Pasica 5/v, 11000 BEOGRAD, Tel. +381 11 625 344, Fax. +381 11 635 777

**For all other countries apply to:** Philips Semiconductors, International Marketing & Sales Communications, Building BE-p, P.O. Box 218, 5600 MD EINDHOVEN, The Netherlands, Fax. +31 40 27 24825

**Internet:** <http://www.semiconductors.philips.com>

© Philips Electronics N.V. 1998

SCA60

All rights are reserved. Reproduction in whole or in part is prohibited without the prior written consent of the copyright owner.

The information presented in this document does not form part of any quotation or contract, is believed to be accurate and reliable and may be changed without notice. No liability will be accepted by the publisher for any consequence of its use. Publication thereof does not convey nor imply any license under patent- or other industrial or intellectual property rights.

Printed in The Netherlands

545104/750/03/pp24

Date of release: 1998 Nov 03

Document order number: 9397 750 04668

*Let's make things better.*

**Philips  
Semiconductors**



**PHILIPS**