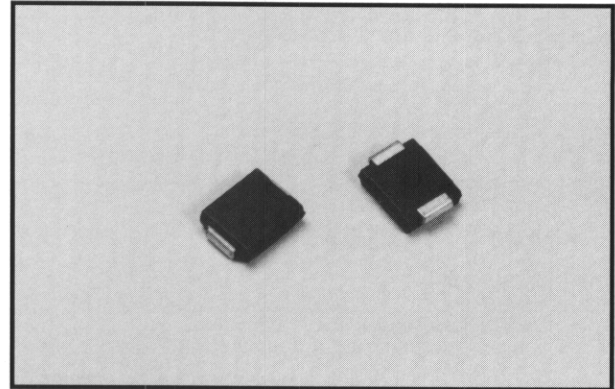


RS3A Thru RS3M



3 AMP SURFACE MOUNT GLASS FAST RECOVERY RECTIFIER



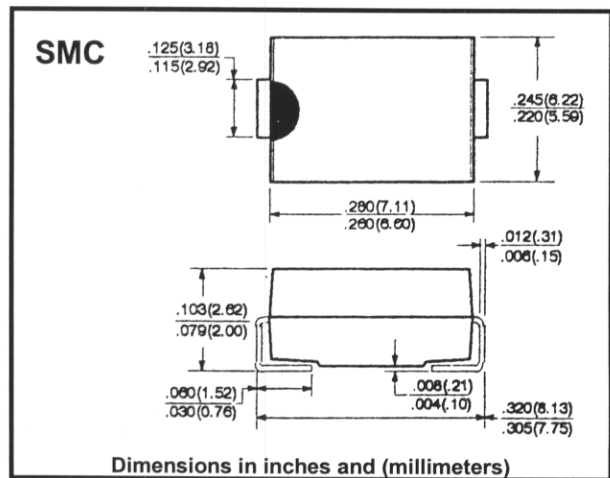
FEATURES

- Rating to 1000V PRV
- For surface mount application
- Reliable low cost construction utilizing molded plastic technique
- Glass passivated junction
- UL recognized 94V-O plastic material
- High temperature soldering: 250 °C/10 seconds at terminal
- Fast switching for high efficiency

Mechanical Data

- Case: Molded Plastic
- Polarity: Indicated on cathode
- Weight: 0.007 ounces, 0.21 grams

Outline Drawing



Maximum Ratings & Characteristics

- Ratings at 25° C ambient temperature unless otherwise specified
- Single phase, half wave, 60Hz, resistive or inductive load
- For capacitive load, derate current by 20%

		RS3A	RS3B	RS3D	RS3G	RS3J	RS3K	RS3M	Units
Maximum Recurrent Peak Reverse Voltage	V _{RRM}	50	100	200	400	600	800	1000	V
Maximum RMS Input Voltage	V _{RMS}	35	70	140	280	420	560	700	V
Maximum DC Blocking Voltage	V _{DC}	50	100	200	400	600	800	1000	V
Maximum Average Forward Output Current @ T _L = 75°C	I (AV)	3.0							A
Peak Forward Surge Current 8.3 ms Single Half-Sine-Wave Superimposed On Rated Load	I _{FSM}	100							A
Maximum DC Forward Voltage Drop Per Element At 3A DC	V _F	1.3							V
Maximum Reverse Current At Rated DC Blocking Voltage per Element @ T _A = 25°C @ T _A = 125°C	I _R	5 250							μA μA
Maximum Reverse Recovery Time *(See Note)	t _{rr}	150			250		500		nS
Typical Junction Capacitance **(See Note)	C _J	50							pF
Typical Thermal Resistance*** (See Note)	R _(THJL)	10							°C/W
Typical Thermal Resistance*** (See Note)	R _(THJA)	50							°C/W
Operating Temperature Range	T _J	-65 to +150							°C
Storage Temperature Range	T _{STG}	-65 to +150							°C

Note: *Test Conditions: I_F = 0.5A, I_R = 1.0A, I_{rr} = 0.25A

**Measured at 1.0MHz and applied reverse voltage of 4.0V DC