

# NM27C010

## 1,048,576-Bit (128K x 8) High Performance CMOS EPROM

### General Description

The NM27C010 is a high performance, 1,048,576-bit Electrically Programmable UV Erasable Read Only Memory. It is organized as 128K-words of 8 bits each. Its pin-compatibility with byte-wide JEDEC EPROMs enables upgrades through 8 Mbit EPROMs. The "Don't Care" feature during read operations allows memory expansions from 1M to 8M bits with no printed circuit board changes.

The NM27C010 can directly replace lower density 28-pin EPROMs by adding an A16 address line and V<sub>CC</sub> jumper. During the normal read operation PGM and V<sub>PP</sub> are in a "Don't Care" state which allows higher order addresses, such as A17, A18, and A19 to be connected without affecting the normal read operation. This allows memory upgrades to 8M bits without hardware changes. The NM27C010 is also offered in a 32-pin plastic DIP with the same upgrade path.

The NM27C010 provides microprocessor-based systems extensive storage capacity for large portions of operating system and application software. Its 70 ns access time provides no-wait-state operation with high-performance CPUs. The NM27C010 offers a single chip solution for the code storage requirements of 100% firmware-based equipment. Frequently-used software routines are quickly executed from EPROM storage, greatly enhancing system utility.

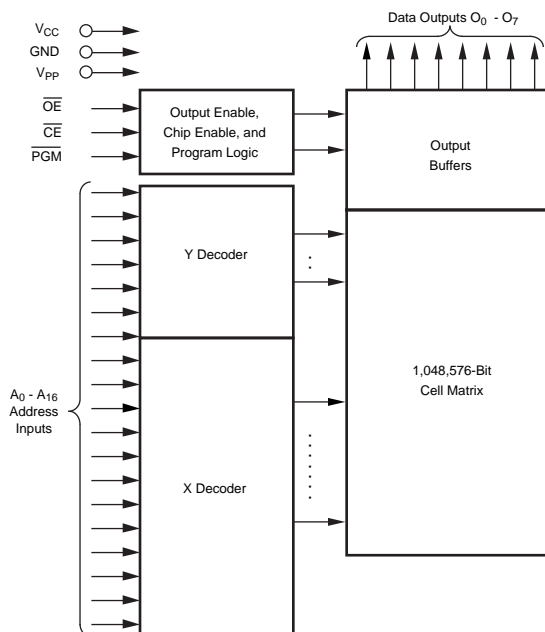
The NM27C010 is manufactured using Fairchild's advanced CMOS AMG™ EPROM technology.

The NM27C010 is one member of a high density EPROM Family which range in densities up to 4 Megabit.

### Features

- High performance CMOS
  - 70 ns access time
- Fast turn-off for microprocessor compatibility
- Simplified upgrade path
  - V<sub>PP</sub> and PGM are "Don't Care" during normal read operation
- Manufacturers identification code
- Fast programming
- JEDEC standard pin configurations
  - 32-pin PDIP package
  - 32-pin PLCC package
  - 32-pin CERDIP package

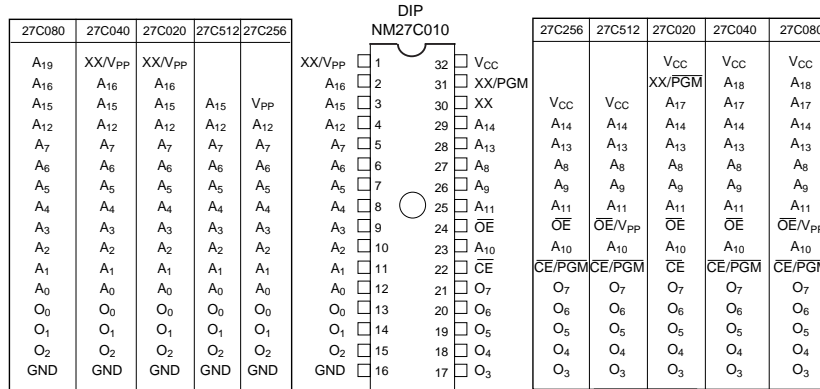
### Block Diagram



DS010798-1

## Connection Diagrams

### DIP PIN CONFIGURATIONS



Note: Compatible EPROM pin configurations are shown in the blocks adjacent to the NM27C010 pins.

DS010798-10

### Commercial Temperature Range

(0°C to +70°C) V<sub>CC</sub> = 5V ±10%

| Parameter/Order Number | Access Time (ns) |
|------------------------|------------------|
| NM27C010 Q, V, N 70    | 70               |
| NM27C010 Q, V, N 90    | 90               |
| NM27C010 Q, V, N 120   | 120              |
| NM27C010 Q, V, N 150   | 150              |

### Extended Temperature Range

(-40°C to +85°C) V<sub>CC</sub> = 5V ±10%

| Parameter/Order Number  | Access Time (ns) |
|-------------------------|------------------|
| NM27C010 QE, VE, NE 70  | 70               |
| NM27C010 QE, VE, NE 90  | 90               |
| NM27C010 QE, VE, NE 120 | 120              |
| NM27C010 QE, VE, NE 150 | 150              |

Package Types: NM27C010 Q, N, V XXX

Q = Quartz-Windowed Ceramic DIP package

V = PLCC package

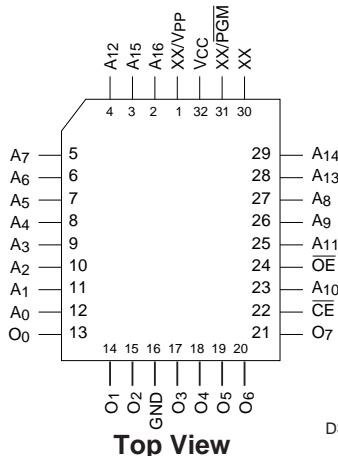
N = Plastic DIP package

- All packages conform to JEDEC standard.
- All versions are guaranteed to function at slower speeds.

### Pin Names

|                 |                          |
|-----------------|--------------------------|
| A0–A16          | Addresses                |
| $\overline{CE}$ | Chip Enable              |
| $\overline{OE}$ | Output Enable            |
| O0–O7           | Outputs                  |
| PGM             | Program                  |
| XX              | Don't Care (During Read) |

### PLCC Pin Configuration



DS010798-3

### Absolute Maximum Ratings (Note 1)

|   |                 |
|---|-----------------|
| Storage Temperature   | -65°C to +150°C |
| All Input Voltages Except A9 with Respect to Ground (Note 10) | -0.6V to +7V    |
| V <sub>PP</sub> and A9 with Respect to Ground                 | -0.6V to +14V   |
| V <sub>CC</sub> Supply Voltage with Respect to Ground         | -0.6V to +7V    |
| ESD Protection  | >2000V          |

All Output Voltages with Respect to Ground (Note 10) V<sub>CC</sub> + 1.0V to GND - 0.6V

### Operating Range

| Range      | Temperature    | V <sub>CC</sub> | Tolerance |
|------------|----------------|-----------------|-----------|
| Commercial | 0°C to +70°C   | +5V             | ±10%      |
| Extended   | -40°C to +85°C | +5V             | ±10%      |

### DC Read Characteristics Over Operating Range with V<sub>PP</sub> = V<sub>CC</sub>

| Symbol           | Parameter                              | Test Conditions  | Min                   | Max                 | Units |
|------------------|--|--|-----------------------|---------------------|-------|
| V <sub>IL</sub>  | Input Low Level                        |  | -0.5                  | 0.8                 | V     |
| V <sub>IH</sub>  | Input High Level                       |  | 2.0                   | V <sub>CC</sub> + 1 | V     |
| V <sub>OL</sub>  | Output Low Voltage                     | I <sub>OL</sub> = 2.1 mA                               |                       | 0.4                 | V     |
| V <sub>OH</sub>  | Output High Voltage                    | I <sub>OH</sub> = -2.5 mA                              | 3.5                   |                     | V     |
| I <sub>SB1</sub> | V <sub>CC</sub> Standby Current (CMOS) | $\overline{CE} = V_{CC} \pm 0.3V$                      |                       | 100                 | μA    |
| I <sub>SB2</sub> | V <sub>CC</sub> Standby Current (TTL)  | CE = V <sub>IH</sub>                                   |                       | 1                   | mA    |
| I <sub>CC</sub>  | V <sub>CC</sub> Active Current         | $\overline{CE} = \overline{OE} = V_{IL}$<br>I/O = 0 mA | f = 5 MHz             | 30                  | mA    |
| I <sub>PP</sub>  | V <sub>PP</sub> Supply Current         | V <sub>PP</sub> = V <sub>CC</sub>                      |                       | 10                  | μA    |
| V <sub>PP</sub>  | V <sub>PP</sub> Read Voltage           |  | V <sub>CC</sub> - 0.7 | V <sub>CC</sub>     | V     |
| I <sub>LI</sub>  | Input Load Current                     | V <sub>IN</sub> = 5.5 or GND                           | -1                    | 1                   | μA    |
| I <sub>LO</sub>  | Output Leakage Current                 | V <sub>OUT</sub> = 5.5V or GND                         | -10                   | 10                  | μA    |

### AC Read Characteristics Over Operating Range with V<sub>PP</sub> = V<sub>CC</sub>

| Symbol                      | Parameter   | 70  |     | 90  |     | 120 |     | 150 |     | Units |
|-----------------------------|---|-----|-----|-----|-----|-----|-----|-----|-----|-------|
|                             |   | Min | Max | Min | Max | Min | Max | Min | Max |       |
| t <sub>ACC</sub>            | Address to Output Delay   |     | 70  |     | 90  |     | 120 |     | 150 |       |
| t <sub>CE</sub>             | $\overline{CE}$ to Output Delay   |     | 70  |     | 90  |     | 120 |     | 150 |       |
| t <sub>OE</sub>             | $\overline{OE}$ to Output Delay   |     | 35  |     | 40  |     | 50  |     | 50  |       |
| t <sub>DF</sub><br>(Note 2) | Output Disable to Output Float  |     | 30  |     | 35  |     | 35  |     | 45  | ns    |
| t <sub>OH</sub><br>(Note 2) | Output Hold from Addresses, $\overline{CE}$ or $\overline{OE}$ , Whichever Occurred First | 0   |     | 0   |     | 0   |     | 0   |     |       |

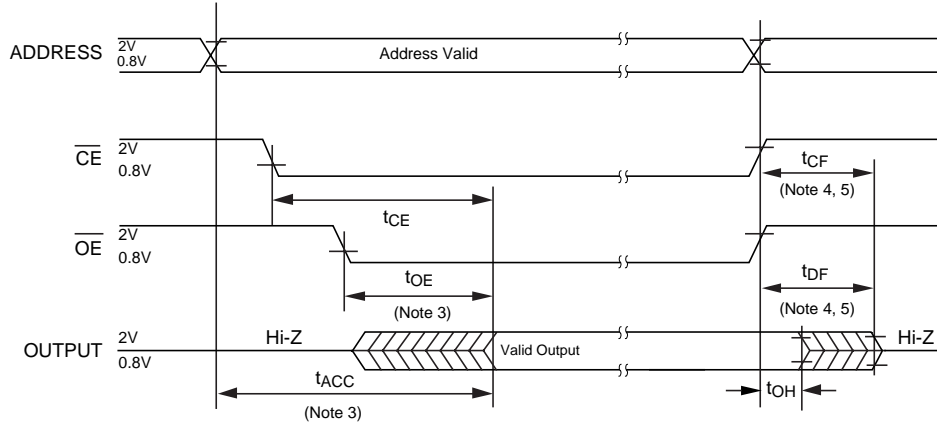
### Capacitance T<sub>A</sub> = +25°C, f = 1 MHz (Note 2)

| Symbol           | Parameter          | Conditions            | Typ | Max | Units |
|------------------|--------------------|-----------------------|-----|-----|-------|
| C <sub>IN</sub>  | Input Capacitance  | V <sub>IN</sub> = 0V  | 6   | 15  | pF    |
| C <sub>OUT</sub> | Output Capacitance | V <sub>OUT</sub> = 0V | 10  | 15  | pF    |

## AC Test Conditions

|                                    |  |
|------------------------------------|--|
| Output Load                        | 1 TTL Gate and $C_L = 100$ pF (Note 8) |
| Input Rise and Fall Times          | $\leq 5$ ns                            |
| Input Pulse Levels                 | 0.45V to 2.4V                          |
| Timing Measurement Reference Level |  |
| Inputs                             | 0.8V and 2V                            |
| Outputs                            | 0.8V and 2V                            |

## AC Waveforms (Note 6), (Note 7), and (Note 9)



DS010798-4

**Note 1:** Stresses above those listed under "Absolute Maximum Ratings" may cause permanent damage to the device. This is a stress rating only and functional operation of the device at these or any other conditions above those indicated in the operational sections of this specification is not implied. Exposure to absolute maximum rating conditions for extended periods may affect device reliability.

**Note 2:** This parameter is only sampled and is not 100% tested.

**Note 3:**  $\overline{OE}$  may be delayed up to  $t_{ACC} - t_{OE}$  after the falling edge of  $\overline{CE}$  without impacting  $t_{ACC}$ .

**Note 4:** The  $t_{DF}$  and  $t_{CF}$  compare level is determined as follows:

High to TRI-STATE<sup>®</sup>, the measured  $V_{OH1}$  (DC) - 0.10V;  
Low to TRI-STATE, the measured  $V_{OL1}$  (DC) + 0.10V.

**Note 5:** TRI-STATE may be attained using  $\overline{OE}$  or  $\overline{CE}$ .

**Note 6:** The power switching characteristics of EPROMs require careful device decoupling. It is recommended that at least a 0.1  $\mu$ F ceramic capacitor be used on every device between  $V_{CC}$  and GND.

**Note 7:** The outputs must be restricted to  $V_{CC} + 1.0$ V to avoid latch-up and device damage.

**Note 8:** 1 TTL Gate:  $I_{OL} = 1.6$  mA,  $I_{OH} = -400$   $\mu$ A.  
 $C_L$ : 100 pF includes fixture capacitance.

**Note 9:**  $V_{PP}$  may be connected to  $V_{CC}$  except during programming.

**Note 10:** Inputs and outputs can undershoot to -2.0V for 20 ns Max.

## Programming Characteristics (Note 11), (Note 12), (Note 13), and (Note 14)

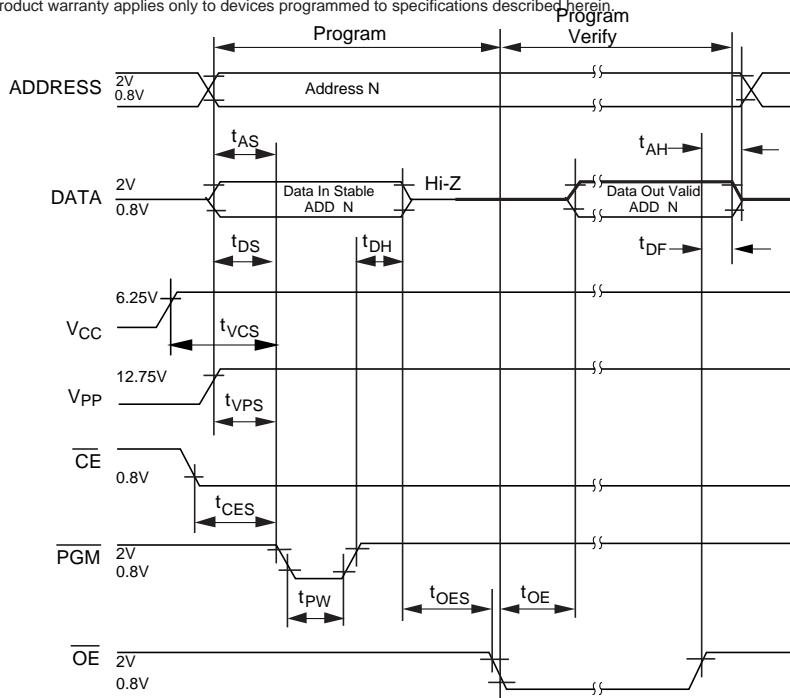
| Symbol    | Parameter                           | Conditions               | Min | Typ | Max | Units   |
|-----------|-------------------------------------|--------------------------|-----|-----|-----|---------|
| $t_{AS}$  | Address Setup Time                  |                          | 1   |     |     | $\mu$ s |
| $t_{OES}$ | $\overline{OE}$ Setup Time          |                          | 1   |     |     | $\mu$ s |
| $t_{CES}$ | $\overline{CE}$ Setup Time          | $\overline{OE} = V_{IH}$ | 1   |     |     | $\mu$ s |
| $t_{DS}$  | Data Setup Time                     |                          | 1   |     |     | $\mu$ s |
| $t_{VPS}$ | $V_{PP}$ Setup Time                 |                          | 1   |     |     | $\mu$ s |
| $t_{VCS}$ | $V_{CC}$ Setup Time                 |                          | 1   |     |     | $\mu$ s |
| $t_{AH}$  | Address Hold Time                   |                          | 0   |     |     | $\mu$ s |
| $t_{DH}$  | Data Hold Time                      |                          | 1   |     |     | $\mu$ s |
| $t_{DF}$  | Output Enable to Output Float Delay | $\overline{CE} = V_{IL}$ | 0   |     | 60  | ns      |
| $t_{PW}$  | Program Pulse Width                 |                          | 45  | 50  | 105 | $\mu$ s |

### Programming Characteristics (Note 11), (Note 12), (Note 13), and (Note 14) (Continued)

| Symbol    | Parameter  | Conditions                                 | Min  | Typ   | Max  | Units |
|-----------|--|--|------|-------|------|-------|
| $t_{OE}$  | Data Valid from OE                               | $\overline{CE} = V_{IL}$                   |      |       | 100  | ns    |
| $I_{PP}$  | $V_{PP}$ Supply Current during Programming Pulse | $\overline{CE} = V_{IL}$<br>$PGM = V_{IL}$ |      |       | 15   | mA    |
| $I_{CC}$  | $V_{CC}$ Supply Current                          |  |      |       | 20   | mA    |
| $T_A$     | Temperature Ambient                              |  | 20   | 25    | 30   | °C    |
| $V_{CC}$  | Power Supply Voltage                             |  | 6.2  | 6.5   | 6.75 | V     |
| $V_{PP}$  | Programming Supply Voltage                       |  | 12.5 | 12.75 | 13.0 | V     |
| $t_{FR}$  | Input Rise, Fall Time                            |  | 5    |       |      | ns    |
| $V_{IL}$  | Input Low Voltage                                |  |      | 0.0   | 0.45 | V     |
| $V_{IH}$  | Input High Voltage                               |  | 2.4  | 4.0   |      | V     |
| $t_{IN}$  | Input Timing Reference Voltage                   |  | 0.8  |       | 2.0  | V     |
| $t_{OUT}$ | Output Timing Reference Voltage                  |  | 0.8  |       | 2.0  | V     |

### Programming Waveforms (Note 13)

Note 11: Fairchild's standard product warranty applies only to devices programmed to specifications described herein.



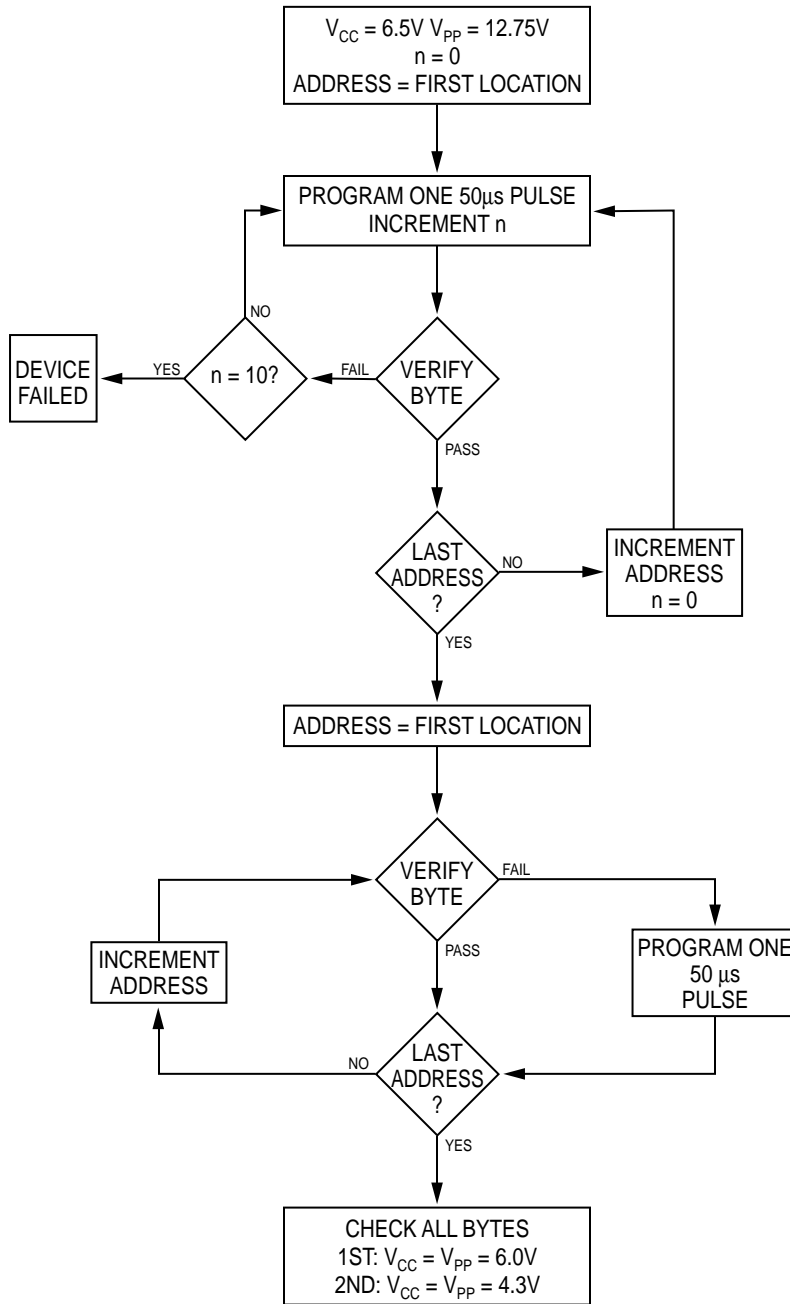
DS010798-5

Note 12:  $V_{CC}$  must be applied simultaneously or before  $V_{PP}$  and removed simultaneously or after  $V_{PP}$ . The EPROM must not be inserted into or removed from a board with voltage applied to  $V_{PP}$  or  $V_{CC}$ .

Note 13: The maximum absolute allowable voltage which may be applied to the  $V_{PP}$  pin during programming is 14V. Care must be taken when switching the  $V_{PP}$  supply to prevent any overshoot from exceeding this 14V maximum specification. At least a 0.1  $\mu$ F capacitor is required across  $V_{PP}$ ,  $V_{CC}$  to GND to suppress spurious voltage transients which may damage the device.

Note 14: During power up the PGM pin must be brought high ( $\geq V_{IH}$ ) either coincident with or before power is applied to  $V_{PP}$ .

### Turbo Programming Algorithm Flow Chart



**Note:** The standard National Semiconductor Algorithm may also be used but it will have longer programming time.

DS010798-6

**FIGURE 1.**

## Functional Description

### DEVICE OPERATION

The six modes of operation of the EPROM are listed in Table 1. It should be noted that all inputs for the six modes are at TTL levels. The power supplies required are  $V_{CC}$  and  $V_{PP}$ . The  $V_{PP}$  power supply must be at 12.75V during the three programming modes, and must be at 5V in the other three modes. The  $V_{CC}$  power supply must be at 6.5V during the three programming modes, and at 5V in the other three modes.

#### Read Mode

The EPROM has two control functions, both of which must be logically active in order to obtain data at the outputs. Chip Enable ( $\overline{CE}$ ) is the power control and should be used for device selection. Output Enable ( $\overline{OE}$ ) is the output control and should be used to gate data to the output pins, independent of device selection. Assuming that the addresses are stable, address access time ( $t_{ACC}$ ) is equal to the delay from  $\overline{CE}$  to output ( $t_{CE}$ ). Data is available at the outputs  $t_{OE}$  after the falling edge of  $\overline{OE}$ , assuming that  $\overline{CE}$  has been low and addresses have been stable for at least  $t_{ACC} - t_{OE}$ .

#### Standby Mode

The EPROM has a standby mode which reduces the active power dissipation by over 99%, from 165 mW to 0.55 mW. The EPROM is placed in the standby mode by applying a CMOS high signal to the  $\overline{CE}$  input. When in standby mode, the outputs are in a high impedance state, independent of the  $\overline{OE}$  input.

#### Output Disable

The EPROM is placed in output disable by applying a TTL high signal to the  $\overline{OE}$  input. When in output disable all circuitry is enabled, except the outputs are in a high impedance state (TRI-STATE).

#### Output OR-Tying

Because the EPROM is usually used in larger memory arrays, Fairchild has provided a 2-line control function that accommodates this use of multiple memory connections. The 2-line control function allows for:

1. the lowest possible memory power dissipation, and
2. complete assurance that output bus contention will not occur.

To most efficiently use these two control lines, it is recommended that  $\overline{CE}$  be decoded and used as the primary device selecting function, while  $\overline{OE}$  be made a common connection to all devices in the array and connected to the READ line from the system control bus. This assures that all deselected memory devices are in their low power standby modes and that the output pins are active only when data is desired from a particular memory device.

#### Programming

CAUTION: Exceeding 14V on the  $V_{PP}$  or A9 pin will damage the EPROM.

Initially, and after each erasure, all bits of the EPROM are in the "1's" state. Data is introduced by selectively programming "0's" into the desired bit locations. Although only "0's" will be programmed, both "1's" and "0's" can be presented in the data word. The only way to change a "0" to a "1" is by ultraviolet light erasure.

The EPROM is in the programming mode when the  $V_{PP}$  power supply is at 12.75V and  $\overline{OE}$  is at  $V_{IH}$ . It is required that at least a 0.1  $\mu$ F capacitor be placed across  $V_{PP}$ ,  $V_{CC}$  to ground to suppress spurious voltage transients which may damage the device. The data to be programmed is applied 8 bits in parallel to the data output pins. The levels required for the address and data inputs are TTL.

When the address and data are stable, an active low, TTL program pulse is applied to the PGM input. A program pulse must be applied at each address location to be programmed. The EPROM is programmed with the Turbo Programming Algorithm shown in Figure 1. Each Address is programmed with a series of 50  $\mu$ s pulses until it verifies good, up to a maximum of 10 pulses. Most memory cells will program with a single 50  $\mu$ s pulse.

The EPROM must not be programmed with a DC signal applied to the PGM input.

Programming multiple EPROM in parallel with the same data can be easily accomplished due to the simplicity of the programming requirements. Like inputs of the parallel EPROM may be connected together when they are programmed with the same data. A low level TTL pulse applied to the PGM input programs the paralleled EPROM.

#### Program Inhibit

Programming multiple EPROM's in parallel with different data is also easily accomplished. Except for  $\overline{CE}$  all like inputs (including  $\overline{OE}$  and PGM) of the parallel EPROM may be common. A TTL low level program pulse applied to an EPROM's PGM input with  $\overline{CE}$  at  $V_{IL}$  and  $V_{PP}$  at 12.75V will program that EPROM. A TTL high level  $\overline{CE}$  input inhibits the other EPROM's from being programmed.

#### Program Verify

A verify should be performed on the programmed bits to determine whether they were correctly programmed. The verify may be performed with  $V_{PP}$  at 12.75V.  $V_{PP}$  must be at  $V_{CC}$ , except during programming and program verify.

### AFTER PROGRAMMING

Opaque labels should be placed over the EPROM window to prevent unintentional erasure. Covering the window will also prevent temporary functional failure due to the generation of photo currents.

### MANUFACTURER'S IDENTIFICATION CODE

The EPROM has a manufacturer's identification code to aid in programming. When the device is inserted in an EPROM programmer socket, the programmer reads the code and then automatically calls up the specific programming algorithm for the part. This automatic programming control is only possible with programmers which have the capability of reading the code.

The Manufacturer's Identification code, shown in Table 2, specifically identifies the manufacturer and device type. The code for the NM27C010 is "8F86", where "8F" designates that it is made by Fairchild Semiconductor, and "86" designates a 1 Megabit (128K x 8) part.

The code is accessed by applying 12V  $\pm$ 0.5V to address pin A9. Addresses A1–A8, A10–A16, and all control pins are held at  $V_{IL}$ . Address pin A0 is held at  $V_{IL}$  for the manufacturer's code, and held at  $V_{IH}$  for the device code. The code is read on the eight data pins, O0–O7. Proper code access is only guaranteed at 25°C  $\pm$  5°C.

## Functional Description (Continued)

### ERASURE CHARACTERISTICS

The erasure characteristics of the device are such that erasure begins to occur when exposed to light with wavelengths shorter than approximately 4000 Angstroms (Å). It should be noted that sunlight and certain types of fluorescent lamps have wavelengths in the 3000Å – 4000Å range.

The recommended erasure procedure for the EPROM is exposure to short wave ultraviolet light which has a wavelength of 2537Å. The integrated dose (i.e., UV intensity x exposure time) for erasure should be a minimum of 15W-sec/cm<sup>2</sup>.

The EPROM should be placed within 1 inch of the lamp tubes during erasure. Some lamps have a filter on their tubes which should be removed before erasure.

An erasure system should be calibrated periodically. The distance from lamp to device should be maintained at one inch. The erasure time increases as the square of the distance from the lamp. (if distance is doubled the erasure time increases by factor of 4). Lamps lose intensity as they age. When a lamp is changed, the distance has changed, or the lamp has aged, the system should

be checked to make certain full erasure is occurring. Incomplete erasure will cause symptoms that can be misleading. Programmers, components and even system designs have been erroneously suspected when incomplete erasure was the problem.

### SYSTEM CONSIDERATION

The power switching characteristics of EPROMs require careful decoupling of the devices. The supply current, I<sub>CC</sub>, has three segments that are of interest to the system designer: the standby current level, the active current level, and the transient current peaks that are produced by voltage transitions on input pins. The magnitude of these transient current peaks is dependent on the output capacitance loading of the device. The associated V<sub>CC</sub> transient voltage peaks can be suppressed by properly selected decoupling capacitors. It is recommended that at least a 0.1 μF ceramic capacitor be used on every device between V<sub>CC</sub> and GND. This should be a high frequency capacitor of low inherent inductance. In addition, at least a 4.7 μF bulk electrolytic capacitor should be used between V<sub>CC</sub> and GND for each eight devices. The bulk capacitor should be located near where the power supply is connected to the array. The purpose of the bulk capacitor is to overcome the voltage drop caused by the inductive effects of the PC board traces.

### MODE SELECTION

The modes of operation of the NM27C010 are listed in Table 1. A single 5V power supply is required in the read mode. All inputs are TTL levels except for V<sub>PP</sub> and A9 for device signature.

**TABLE 1. Modes Selection**

| Mode            | Pins | $\overline{CE}$ | $\overline{OE}$ | $\overline{PGM}$ | V <sub>PP</sub> | V <sub>CC</sub> | Outputs          |
|-----------------|------|-----------------|-----------------|------------------|-----------------|-----------------|------------------|
| Read            |      | V <sub>IL</sub> | V <sub>IL</sub> | X<br>(Note 15)   | X               | 5.0V            | D <sub>OUT</sub> |
| Output Disable  |      | X               | V <sub>IH</sub> | X                | X               | 5.0V            | High Z           |
| Standby         |      | V <sub>IH</sub> | X               | X                | X               | 5.0V            | High Z           |
| Programming     |      | V <sub>IL</sub> | V <sub>IH</sub> | V <sub>IL</sub>  | 12.75V          | 6.25V           | D <sub>IN</sub>  |
| Program Verify  |      | V <sub>IL</sub> | V <sub>IL</sub> | V <sub>IH</sub>  | 12.75V          | 6.25V           | D <sub>OUT</sub> |
| Program Inhibit |      | V <sub>IH</sub> | X               | X                | 12.75V          | 6.25V           | High Z           |

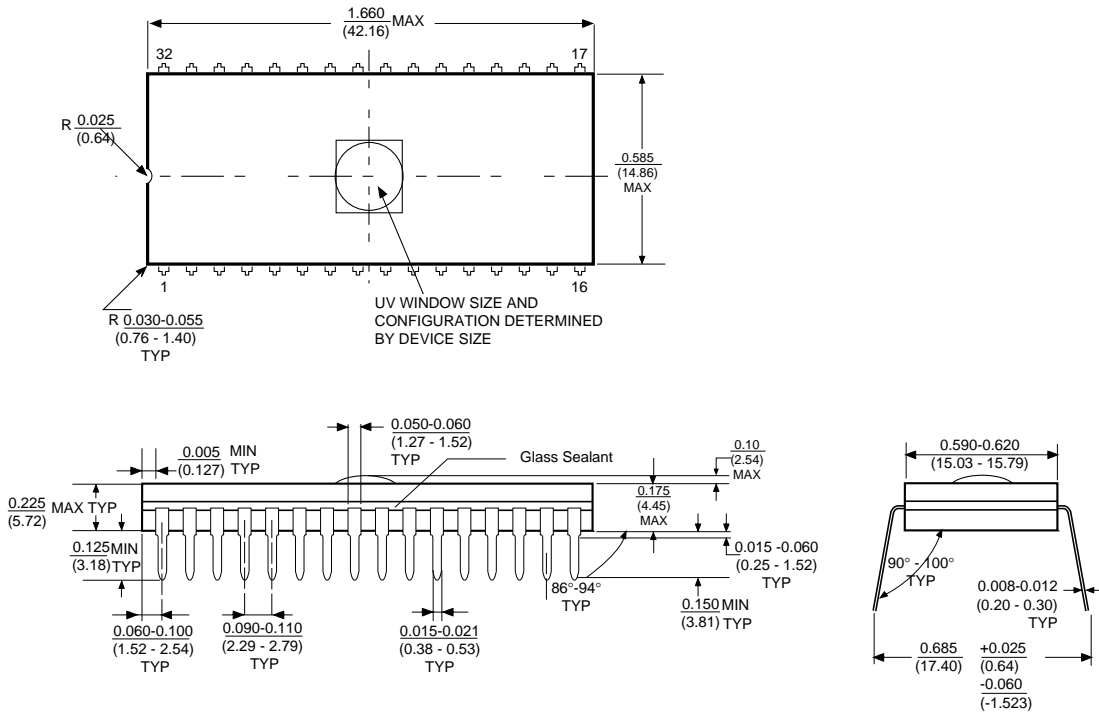
**Note 15:** X can be V<sub>IL</sub> or V<sub>IH</sub>.

**TABLE 2. Manufacturer's Identification Code**

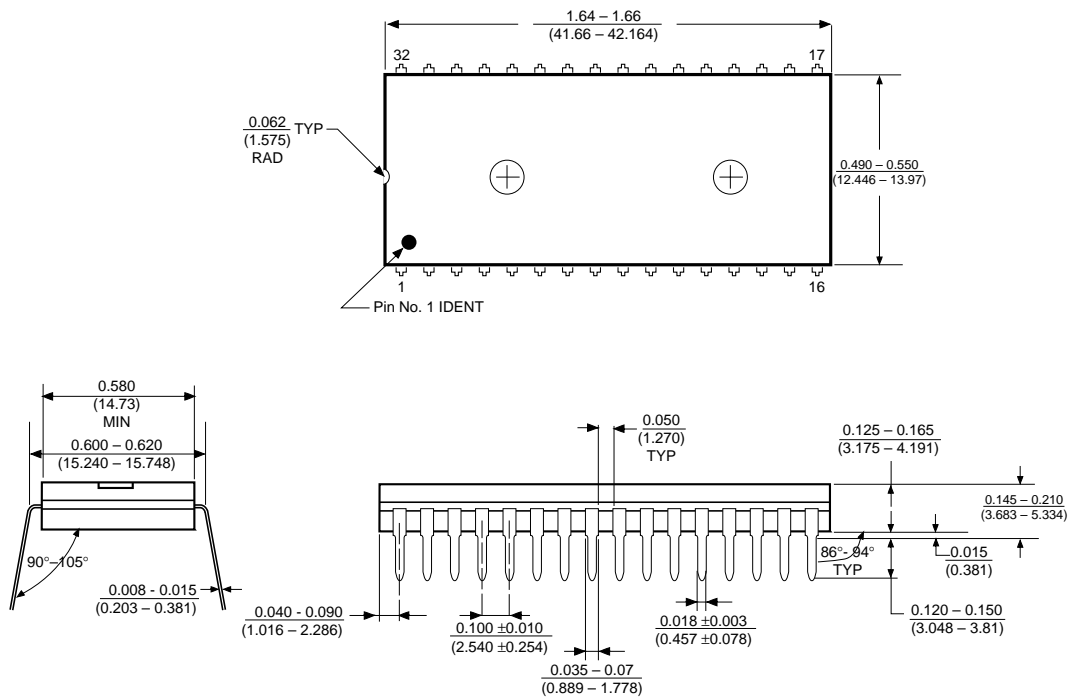
| Pins              | A0<br>(12)      | A9<br>(26) | O7<br>(21) | O6<br>(20) | O5<br>(19) | O4<br>(18) | O3<br>(17) | O2<br>(15) | O1<br>(14) | O0<br>(13) | Hex<br>Data |
|-------------------|-----------------|------------|------------|------------|------------|------------|------------|------------|------------|------------|-------------|
| Manufacturer Code | V <sub>IL</sub> | 12V        | 1          | 0          | 0          | 0          | 1          | 1          | 1          | 1          | 8F          |
| Device Code       | V <sub>IH</sub> | 12V        | 1          | 0          | 0          | 0          | 0          | 1          | 1          | 0          | 86          |



**Physical Dimensions** inches (millimeters) unless otherwise noted

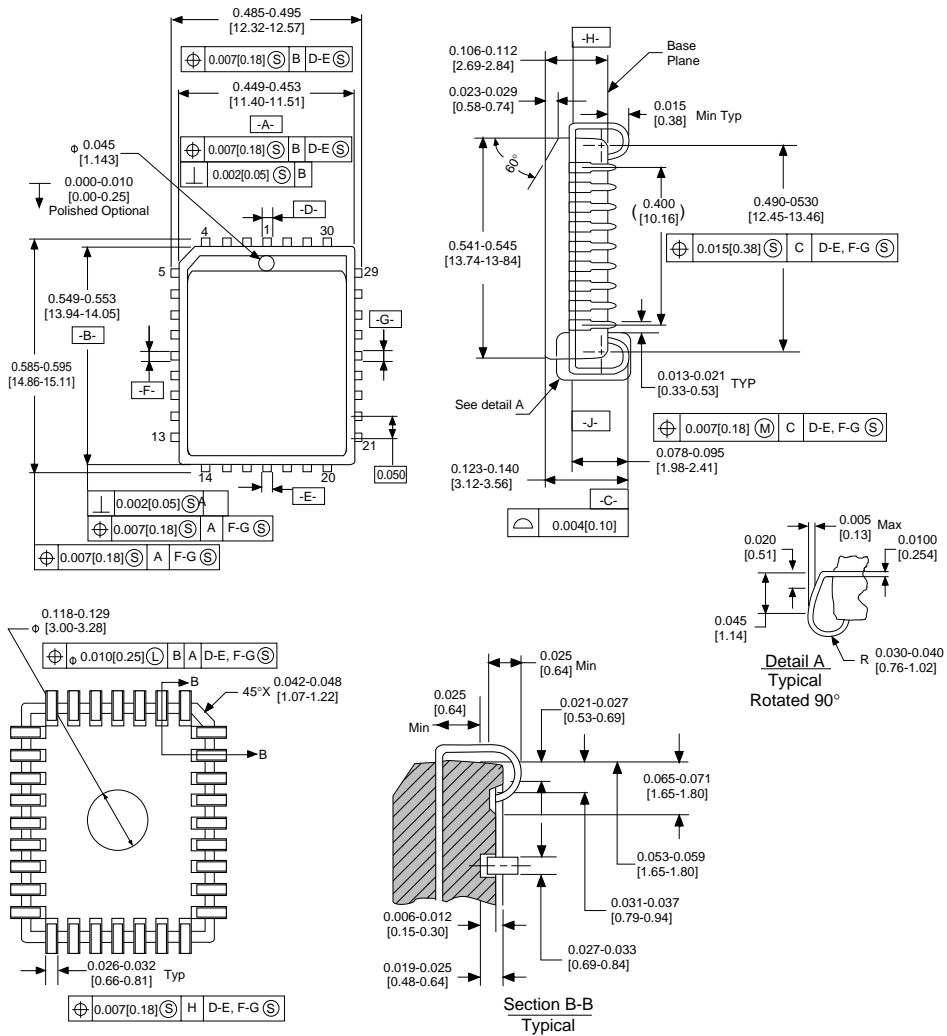


**32-Lead EPROM Ceramic Dual-In-Line Package (Q)**  
**Order Number NM27C010QXXX**  
**Package Number J32AQ**



**32-Lead Molded Dual-In-Line Package (N)**  
**Order Number NM27C010NXXX**  
**Package Number**

**Physical Dimensions inches (millimeters) unless otherwise noted**



**32-Lead PLCC Package**  
**Order Number NM27C010VXXX**  
**Package Number VA32A**

**Life Support Policy**

Fairchild's products are not authorized for use as critical components in life support devices or systems without the express written approval of the President of Fairchild Semiconductor Corporation. As used herein:

1. Life support devices or systems are devices or systems which, (a) are intended for surgical implant into the body, or (b) support or sustain life, and whose failure to perform, when properly used in accordance with instructions for use provided in the labeling, can be reasonably expected to result in a significant injury to the user.
2. A critical component is any component of a life support device or system whose failure to perform can be reasonably expected to cause the failure of the life support device or system, or to affect its safety or effectiveness.

**Fairchild Semiconductor Americas**  
**Customer Response Center**  
 Tel. 1-888-522-5372

**Fairchild Semiconductor Europe**  
 Fax: +44 (0) 1793-856858  
 Deutsch Tel: +49 (0) 8141-6102-0  
 English Tel: +44 (0) 1793-856856  
 Français Tel: +33 (0) 1-6930-3696  
 Italiano Tel: +39 (0) 2-249111-1

**Fairchild Semiconductor Hong Kong**  
 8/F, Room 808, Empire Centre  
 68 Mody Road, Tsimshatsui East  
 Kowloon, Hong Kong  
 Tel: +852-2722-8338  
 Fax: +852-2722-8383

**Fairchild Semiconductor Japan Ltd.**  
 4F, Natsume Bldg.  
 2-18-6, Yushima, Bunkyo-ku  
 Tokyo, 113-0034 Japan  
 Tel: 81-3-3818-8840  
 Fax: 81-3-3818-8841