
Fiber Optic Transmitter and Receiver Data Links for 266 MBd

Technical Data

Features

- Full Compliance with the Optical Performance Requirements of the Fibre Channel Physical Layer
- Other Versions Available for:
 - FDDI
 - ATM
- Compact 16-pin DIP Package with Plastic ST* Connector
- Wave Solder and Aqueous Wash Process Compatible Package
- Manufactured in an ISO 9001 Certified Facility

Applications

- Fibre Channel Interfaces
- Multimode Fiber Optic Links up to 266 MBd at 1500 m
- General Purpose, Point-to-Point Data Communications
- Replaces DLT/R1040-ST2 Model Transmitters and Receivers

Description

The HFBR-1119/-2119 series of data links are high-performance, cost-efficient, transmitter and receiver modules for serial optical data communication

applications specified at 266 MBd for Fibre Channel applications or for general-purpose fiber optic data link transmission.

These modules are designed for 50 or 62.5 μm core multimode optical fiber and operate at a nominal wavelength of 1300 nm. They incorporate our high-performance, reliable, long-wavelength, optical devices and proven circuit technology to give long life and consistent performance.

Transmitter

The transmitter utilizes a 1300 nm surface-emitting InGaAsP LED, packaged in an optical subassembly. The LED is dc-coupled to a custom IC which converts differential-input, PECL logic signals, ECL-referenced (shifted) to a +5 V power supply, into an analog LED drive current.

Receiver

The receiver utilizes an InGaAs PIN photodiode coupled to a custom silicon transimpedance preamplifier IC. The PIN-preamplifier combination is ac-

HFBR-1119T Transmitter HFBR-2119T Receiver



coupled to a custom quantizer IC which provides the final pulse shaping for the logic output and the Signal Detect function. Both the Data and Signal Detect Outputs are differential. Also, both Data and Signal Detect Outputs are PECL compatible, ECL-referenced (shifted) to a +5 V power supply.

Package

The overall package concept for the Data Links consists of the following basic elements: two optical subassemblies, two electrical subassemblies, and the outer housings as illustrated in Figure 1.

*ST is a registered trademark of AT&T Lightguide Cable Connectors.

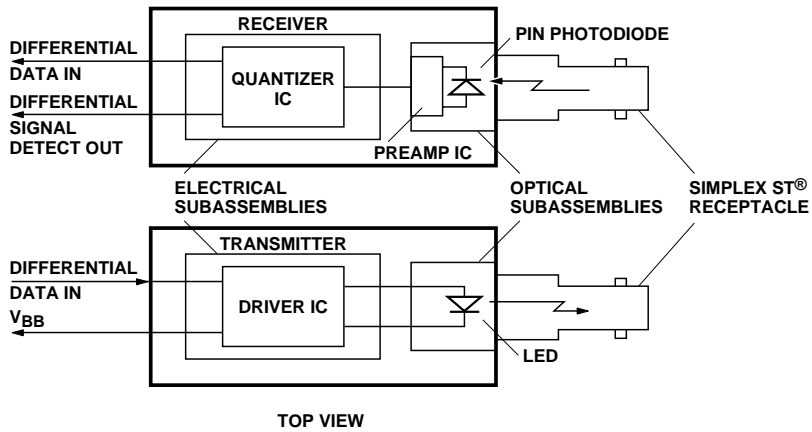
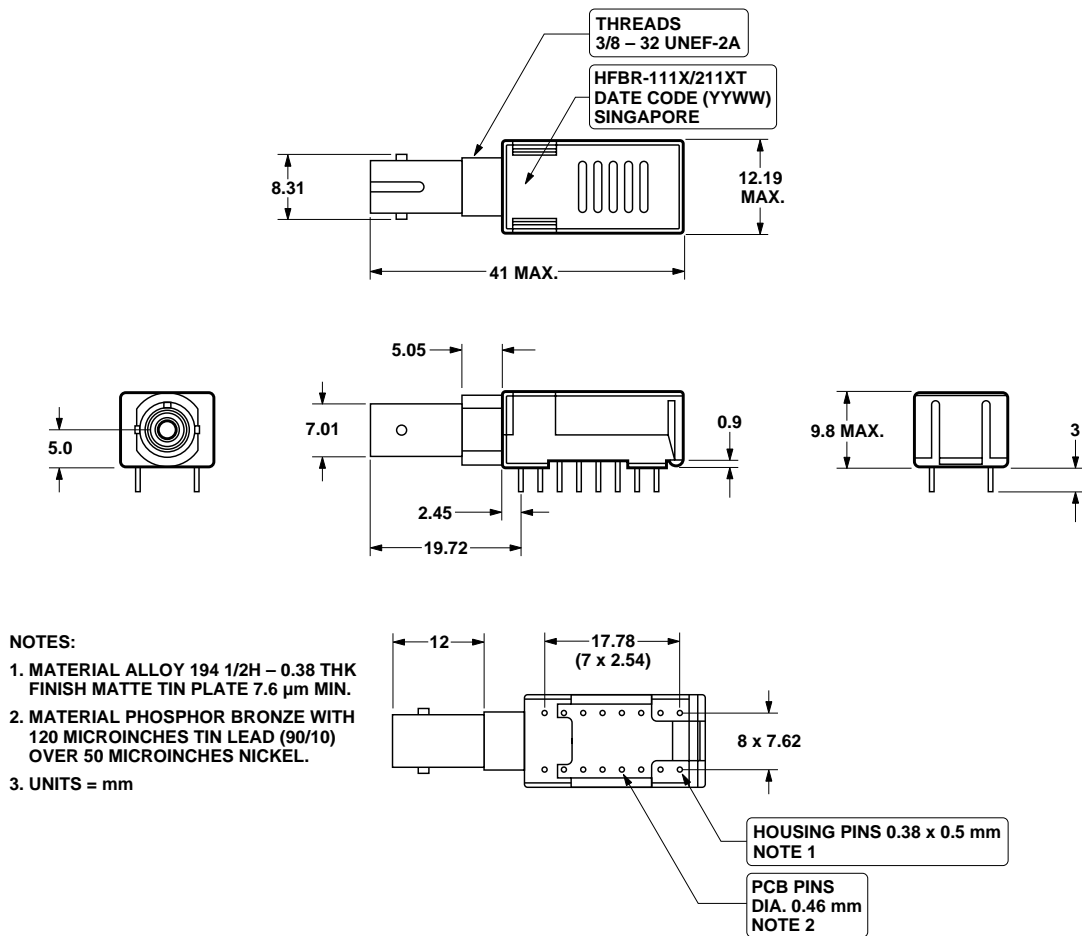


Figure 1. Transmitter and Receiver Block Diagram.

The package outline drawing and pinout are shown in Figures 2 and 3. The details of this package outline and pinout are compatible with other data-link modules from other vendors.

The optical subassemblies consist of a transmitter subassembly in which the LED resides and a receiver subassembly housing the PIN-preamplifier combination.

The electrical subassemblies consist of a multi-layer printed circuit board on which the IC chips and various surface-mounted, passive circuit elements are attached.



NOTES:

1. MATERIAL ALLOY 194 1/2H - 0.38 THK FINISH MATTE TIN PLATE 7.6 μm MIN.
2. MATERIAL PHOSPHOR BRONZE WITH 120 MICRINCHES TIN LEAD (90/10) OVER 50 MICRINCHES NICKEL.
3. UNITS = mm

Figure 2. Package Outline Drawing.

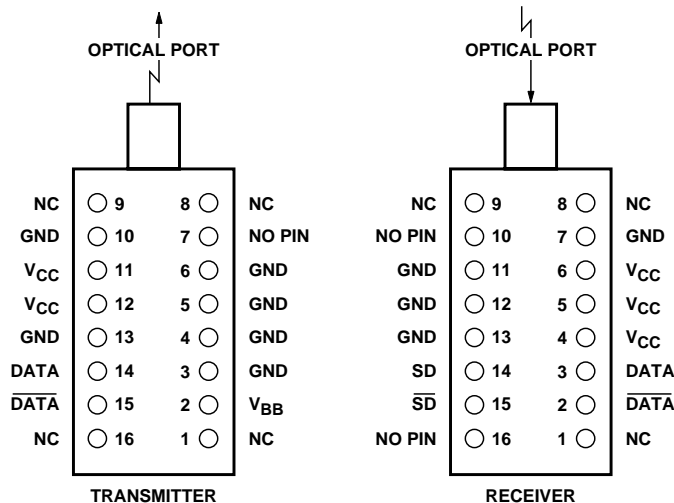


Figure 3. Pinout Drawing.

Each transmitter and receiver package includes an internal shield for the electrical subassembly to ensure low EMI emissions and high immunity to external EMI fields.

The outer housing, including the ST* port, is molded of filled, non-conductive plastic to provide mechanical strength and electrical isolation. For other port styles, please contact your Hewlett-Packard Sales Representative.

Each data-link module is attached to a printed circuit board via the 16-pin DIP interface. Pins 8 and 9 provide mechanical strength for these plastic-port devices and will provide port-ground for forthcoming metal-port modules.

Application Information

The Applications Engineering group of the Optical Communication Division is available to assist you with the technical understanding and design tradeoffs associated with these transmitter and receiver modules. You can contact them through your Hewlett-Packard sales representative.

The following information is provided to answer some of the most common questions about the use of these parts.

Transmitter and Receiver Optical Power Budget versus Link Length

The Optical Power Budget (OPB) is the available optical power for a fiber-optic link to accommodate fiber cable losses plus losses due to in-line connectors, splices, optical switches, and to provide margin for link aging and unplanned losses due to cable plant reconfiguration or repair.

Figure 4 illustrates the predicted OPB associated with the transmitter and receiver specified in this data sheet at the Beginning of Life (BOL). This curve represents the attenuation and chromatic plus modal dispersion losses associated with 62.5/125 μm and 50/125 μm fiber cables only. The area under the curve represents the remaining OPB at any link length, which is available for overcoming non-fiber cable related losses.

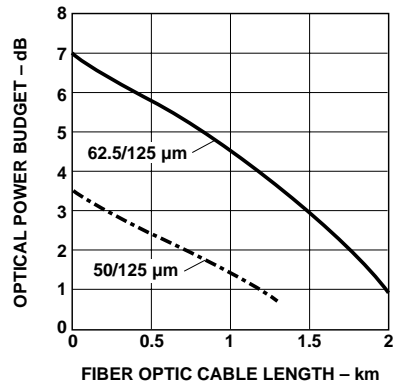


Figure 4. Optical Power Budget at BOL vs. Fiber Optic Cable Length.

Hewlett-Packard LED technology has produced 1300 nm LED devices with lower aging characteristics than normally associated with these technologies in the industry. The industry convention is 1.5 dB aging for 1300 nm LEDs; however, HP 1300 nm LEDs will experience less than 1 dB of aging over normal commercial equipment mission-life periods. Contact your Hewlett-Packard sales representative for additional details.

Figure 4 was generated with a Hewlett-Packard fiber-optic link model containing the current industry conventions for fiber cable specifications and Fibre Channel optical parameters. These parameters are reflected in the guaranteed performance of the transmitter and receiver specifications in this data sheet. This same model has been used extensively in the ANSI and IEEE committees, including the ANSI X3T9.5 committee, to establish the optical performance requirements for various fiber-optic interface standards. The cable parameters used come from the ISO/IEC JTC1/

*ST is a registered trademark of AT&T Lightguide Cable Connectors.

SC 25/WG3 Generic Cabling for Customer Premises per DIS 11801 document and the EIA/TIA-568-A Commercial Building Telecommunications Cabling Standard per SP-2840.

Transmitter and Receiver Signaling Rate Range and BER Performance

For purposes of definition, the symbol rate (Baud), also called signaling rate, is the reciprocal of the symbol time. Data rate (bits/sec) is the symbol rate divided by the encoding factor used to encode the data (symbols/bit).

The specifications in this data sheet have all been measured using the standard Fibre Channel symbol rate of 266 MBd.

The data link modules can be used for other applications at signaling rates different than specified in this data sheet. Depending on the actual signaling rate, there may be some differences in optical power budget. This is primarily caused by a change in receiver sensitivity.

These data link modules can also be used for applications which require different bit-error-ratio (BER) performance. Figure 5 illustrates the typical trade-off between link BER and the receiver input optical power level.

Data Link Jitter Performance

The Hewlett-Packard 1300 nm data link modules are designed to operate per the system jitter allocations stated in FC-PH Annex A.4.3 and A.4.4.

The 1300 nm transmitter will tolerate the worst-case input electrical jitter allowed, without violating the worst-case output optical jitter requirements.

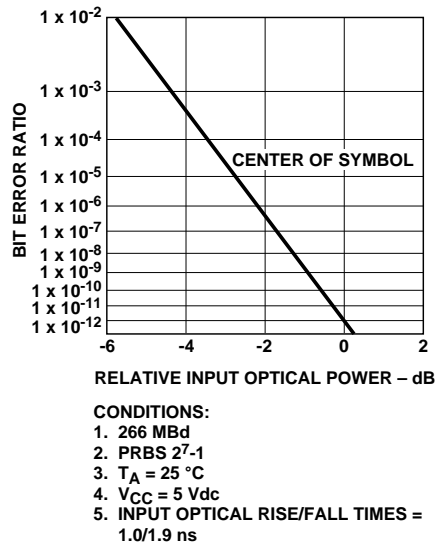


Figure 5. HFBR-1119T/2119T Bit-Error-Ratio vs. Relative Receiver Input Optical Power.

The 1300 nm receiver will tolerate the worst-case input optical jitter allowed without violating the worst-case output electrical jitter allowed.

The jitter specifications stated in the following transmitter and receiver specification tables are derived from the values in FC-PH Annex A.4.3 and A.4.4. They represent the worst-case jitter contribution that the transmitter and receiver are allowed to make to the overall system jitter without violating the allowed allocation. In practice, the typical jitter contribution of the Hewlett-Packard data link modules is well below the maximum allowed amounts.

Recommended Handling Precautions

It is advised that normal static precautions be taken in the handling and assembly of these data link modules to prevent damage which may be induced by electrostatic discharge (ESD). The HFBR-1119/-2119 series meets MIL-STD-883C Method 3015.4 Class 2.

Care should be taken to avoid shorting the receiver Data or Signal Detect Outputs directly to ground without proper current-limiting impedance.

Solder and Wash Process Compatibility

The transmitter and receiver are delivered with protective process caps covering the individual ST* ports. These process caps protect the optical subassemblies during wave solder and aqueous wash processing and act as dust covers during shipping.

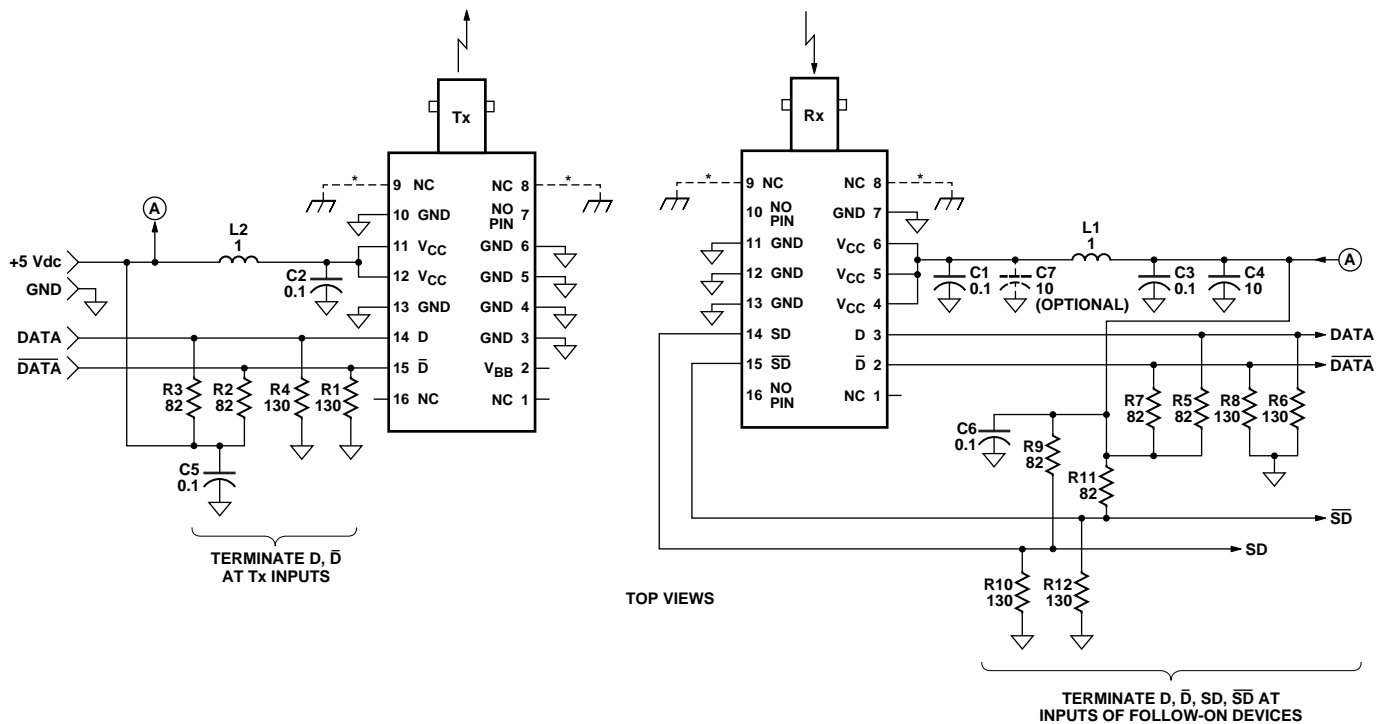
These data link modules are compatible with either industry standard wave- or hand-solder processes.

Shipping Container

The data link modules are packaged in a shipping container designed to protect it from mechanical and ESD damage during shipment or storage.

Board Layout-Interface Circuit and Layout Guidelines

It is important to take care in the layout of your circuit board to achieve optimum performance from these data link modules. Figure 6 provides a good example of a power supply filter circuit that works well with these parts. Also, suggested signal terminations for the Data, Data-bar, Signal Detect and Signal Detect-bar lines are shown. Use of a multilayer, ground-plane printed circuit board will provide good high-frequency circuit performance with a low inductance ground return path. See additional recommendations noted in the interface schematic shown in Figure 6.



- NOTES:
1. RESISTANCE IS IN OHMS. CAPACITANCE IS IN MICROFARADS. INDUCTANCE IS IN MICROHENRIES.
 2. TERMINATE TRANSMITTER INPUT DATA AND DATA-BAR AT THE TRANSMITTER INPUT PINS. TERMINATE THE RECEIVER OUTPUT DATA, DATA-BAR, AND SIGNAL DETECT-BAR AT THE FOLLOW-ON DEVICE INPUT PINS. FOR LOWER POWER DISSIPATION IN THE SIGNAL DETECT TERMINATION CIRCUITRY WITH SMALL COMPROMISE TO THE SIGNAL QUALITY, EACH SIGNAL DETECT OUTPUT CAN BE LOADED WITH 510 OHMS TO GROUND INSTEAD OF THE TWO RESISTOR, SPLIT-LOAD PECL TERMINATION SHOWN IN THIS SCHEMATIC.
 3. MAKE DIFFERENTIAL SIGNAL PATHS SHORT AND OF SAME LENGTH WITH EQUAL TERMINATION IMPEDANCE.
 4. SIGNAL TRACES SHOULD BE 50 OHMS MICROSTRIP OR STRIPLINE TRANSMISSION LINES. USE MULTILAYER, GROUND-PLANE PRINTED CIRCUIT BOARD FOR BEST HIGH-FREQUENCY PERFORMANCE.
 5. USE HIGH-FREQUENCY, MONOLITHIC CERAMIC BYPASS CAPACITORS AND LOW SERIES DC RESISTANCE INDUCTORS. RECOMMEND USE OF SURFACE-MOUNT COIL INDUCTORS AND CAPACITORS. IN LOW NOISE POWER SUPPLY SYSTEMS, FERRITE BEAD INDUCTORS CAN BE SUBSTITUTED FOR COIL INDUCTORS. LOCATE POWER SUPPLY FILTER COMPONENTS CLOSE TO THEIR RESPECTIVE POWER SUPPLY PINS. C7 IS AN OPTIONAL BYPASS CAPACITOR FOR IMPROVED, LOW-FREQUENCY NOISE POWER SUPPLY FILTER PERFORMANCE.
 6. DEVICE GROUND PINS SHOULD BE DIRECTLY AND INDIVIDUALLY CONNECTED TO GROUND.
 7. CAUTION: DO NOT DIRECTLY CONNECT THE FIBER-OPTIC MODULE PECL OUTPUTS (DATA, DATA-BAR, SIGNAL DETECT, SIGNAL DETECT-BAR, V_{BB}) TO GROUND WITHOUT PROPER CURRENT LIMITING IMPEDANCE.
 8. (*) OPTIONAL METAL ST OPTICAL PORT TRANSMITTER AND RECEIVER MODULES WILL HAVE PINS 8 AND 9 ELECTRICALLY CONNECTED TO THE METAL PORT ONLY AND NOT CONNECTED TO THE INTERNAL SIGNAL GROUND.

Figure 6. Recommended Interface Circuitry and Power Supply Filter Circuits.

Board Layout-Hole Pattern

The Hewlett-Packard transmitter and receiver hole pattern is compatible with other data link modules from other vendors. The drawing shown in Figure 7 can be used as a guide in the mechanical layout of your circuit board.

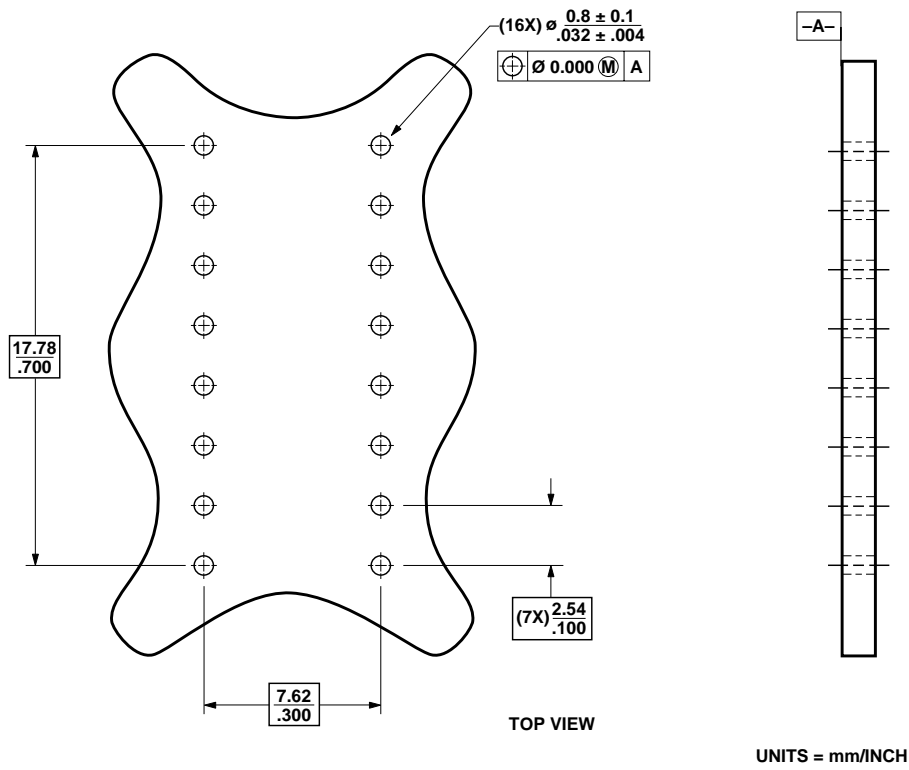


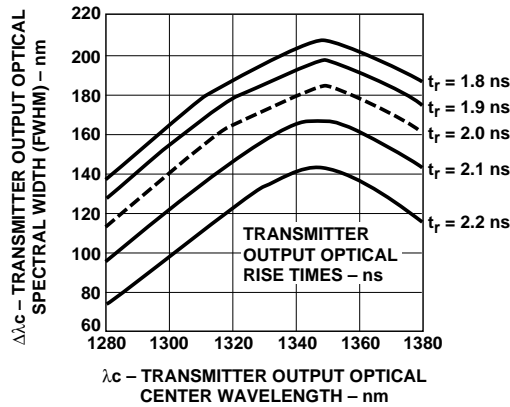
Figure 6. Recommended Board Layout Hole Pattern.

Regulatory Compliance

These data link modules are intended to enable commercial system designers to develop equipment that complies with the various international regulations governing certification of Information Technology Equipment. Additional information is available from your Hewlett-Packard sales representative.

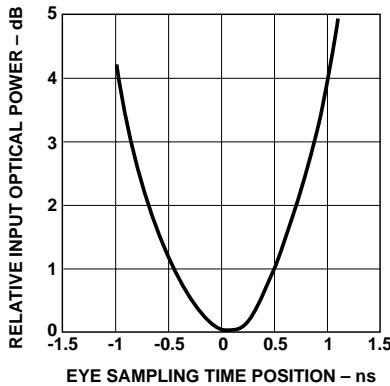
All HFBR-1119T LED transmitters are classified as IEC-825-1 Accessible Emission Limit (AEL) Class 1 based upon the current proposed draft scheduled to go into effect on January 1, 1997. AEL Class 1 LED devices are considered eye safe. See Application Note 1094, *LED Device Classifications with Respect to AEL Values as Defined in the IEC 825-1 Standard and the European EN60825-1 Directive*.

The material used for the housing in the HFBR-1119/-2119 series is Ultem 2100 (GE). Ultem 2100 is recognized for a UL flammability rating of 94V-0 (UL File Number E121562) and the CSA (Canadian Standards Association) equivalent (File Number LS88480).



HFBR-1119T TYPICAL TRANSMITTER TEST RESULTS OF λ_c , $\Delta\lambda$ AND t_r ARE CORRELATED AND COMPLY WITH THE ALLOWED SPECTRAL WIDTH AS A FUNCTION OF CENTER WAVELENGTH FOR VARIOUS RISE AND FALL TIMES.

Figure 8. Typical Transmitter Output Optical Spectral Width (FWHM) vs. Transmitter Output Optical Center Wavelength and Rise/Fall Times.



- CONDITIONS:
1. $T_A = 25^\circ\text{C}$
 2. $V_{CC} = 5\text{ Vdc}$
 3. INPUT OPTICAL RISE/FALL TIMES = 1.0/1.9 ns
 4. INPUT OPTICAL POWER IS NORMALIZED TO CENTER OF DATA SYMBOL
 5. NOTES 11 AND 12 APPLY

Figure 9. HFBR-2119T Receiver Relative Input Optical Power vs. Eye Sampling Time Position.

HFBR-1119T Transmitter Pin-Out Table

| Pin | Symbol | Functional Description | Reference |
|-----|--------------------------|--|-----------|
| 1 | NC | No internal connect, used for mechanical strength only | |
| 2 | V _{BB} | V _{BB} Bias output | |
| 3 | GND | Ground | Note 3 |
| 4 | GND | Ground | Note 3 |
| 5 | GND | Ground | Note 3 |
| 6 | GND | Ground | Note 3 |
| 7 | OMIT | No pin | |
| 8 | NC | No internal connect, used for mechanical strength only | Note 5 |
| 9 | NC | No internal connect, used for mechanical strength only | Note 5 |
| 10 | GND | Ground | Note 3 |
| 11 | V _{CC} | Common supply voltage | Note 1 |
| 12 | V _{CC} | Common supply voltage | Note 1 |
| 13 | GND | Ground | Note 3 |
| 14 | DATA | Data input | Note 4 |
| 15 | $\overline{\text{DATA}}$ | Inverted Data input | Note 4 |
| 16 | NC | No internal connect, used for mechanical strength only | |

HFBR-2119T Receiver Pin-Out Table

| Pin | Symbol | Functional Description | Reference |
|-----|--------------------------|--|-----------|
| 1 | NC | No internal connect, used for mechanical strength only | |
| 2 | $\overline{\text{DATA}}$ | Inverted Data input | Note 4 |
| 3 | DATA | Data input | Note 4 |
| 4 | V _{CC} | Common supply voltage | Note 1 |
| 5 | V _{CC} | Common supply voltage | Note 1 |
| 6 | V _{CC} | Common supply voltage | Note 1 |
| 7 | GND | Ground | Note 3 |
| 8 | NC | No internal connect, used for mechanical strength only | Note 5 |
| 9 | NC | No internal connect, used for mechanical strength only | Note 5 |
| 10 | OMIT | No pin | |
| 11 | GND | Ground | Note 3 |
| 12 | GND | Ground | Note 3 |
| 13 | GND | Ground | Note 3 |
| 14 | SD | Signal Detect | Note 2, 4 |
| 15 | $\overline{\text{SD}}$ | Inverted Signal Detect | Note 2, 4 |
| 16 | OMIT | No pin | |

Notes:

1. Voltages on V_{CC} must be from the same power supply (they are connected together internally).
2. Signal Detect is a logic signal that indicates the presence or absence of an input optical signal. A logic-high, V_{OH}, on Signal Detect indicates presence of an input optical signal. A logic-low, V_{OL}, on Signal Detect indicates an absence of input optical signal.
3. All GNDs are connected together internally and to the internal shield.
4. DATA, $\overline{\text{DATA}}$, SD, $\overline{\text{SD}}$ are open-emitter output circuits.
5. On metal-port modules, these pins are redefined as "Port Connection."

Specifications–Absolute Maximum Ratings

| Parameter | Symbol | Min. | Typ. | Max. | Unit | Reference |
|----------------------------|------------|------|------|----------|------|-----------|
| Storage Temperature | T_S | -40 | | 100 | °C | |
| Lead Soldering Temperature | T_{SOLD} | | | 260 | °C | |
| Lead Soldering Time | t_{SOLD} | | | 10 | sec. | |
| Supply Voltage | V_{CC} | -0.5 | | 7.0 | V | |
| Data Input Voltage | V_I | -0.5 | | V_{CC} | V | |
| Differential Input Voltage | V_D | | | 1.4 | V | Note 1 |
| Output Current | I_O | | | 50 | mA | Note 2 |

Recommended Operating Conditions

| Parameter | Symbol | Min. | Typ. | Max. | Unit | Reference |
|------------------------------------|-------------------|--------|------|--------|----------|-----------|
| Ambient Operating Temperature | T_A | 0 | | 70 | °C | |
| Supply Voltage | V_{CC} | 4.5 | | 5.5 | V | |
| Data Input Voltage–Low | $V_{IL} - V_{CC}$ | -1.810 | | -1.475 | V | |
| Data Input Voltage–High | $V_{IH} - V_{CC}$ | -1.165 | | -0.880 | V | |
| Data and Signal Detect Output Load | R_L | | 50 | | Ω | Note 3 |

HFBR-1119T Transmitter Electrical Characteristics

($T_A = 0^\circ\text{C}$ to 70°C , $V_{CC} = 4.5\text{ V}$ to 5.5 V)

| Parameter | Symbol | Min. | Typ. | Max. | Unit | Reference |
|-------------------------|-------------------|-------|------|-------|---------------|-----------|
| Supply Current | I_{CC} | | 165 | 185 | mA | Note 4 |
| Power Dissipation | P_{DISS} | | 0.86 | 1.1 | W | Note 16 |
| Threshold Voltage | $V_{BB} - V_{CC}$ | -1.42 | -1.3 | -1.24 | V | Note 21 |
| Data Input Current–Low | I_{IL} | -350 | 0 | | μA | |
| Data Input Current–High | I_{IH} | | 14 | 350 | μA | |

HFBR-2119T Receiver Electrical Characteristics

($T_A = 0^\circ\text{C}$ to 70°C , $V_{CC} = 4.5\text{ V}$ to 5.5 V)

| Parameter | Symbol | Min. | Typ. | Max. | Unit | Reference |
|--|-------------------|--------|------|--------|---------------|-----------|
| Supply Current | I_{CC} | | 100 | 165 | mA | Note 15 |
| Power Dissipation | P_{DISS} | | 0.3 | 0.5 | W | Note 16 |
| Data Output Voltage–Low | $V_{OL} - V_{CC}$ | -1.840 | | -1.620 | V | Note 17 |
| Data Output Voltage–High | $V_{OH} - V_{CC}$ | -1.045 | | -0.880 | V | Note 17 |
| Data Output Rise Time | t_r | 0.35 | | 2.2 | ns | Note 18 |
| Data Output Fall Time | t_f | 0.35 | | 2.2 | ns | Note 18 |
| Signal Detect Output Voltage–Low (De-asserted) | $V_{OL} - V_{CC}$ | -1.840 | | -1.620 | V | Note 17 |
| Signal Detect Output Voltage–High (Asserted) | $V_{OH} - V_{CC}$ | -1.045 | | -0.880 | V | Note 17 |
| Signal Detect Output Rise Time | t_r | 0.35 | | 2.2 | ns | Note 18 |
| Signal Detect Output Fall Time | t_f | 0.35 | | 2.2 | ns | Note 18 |
| Signal Detect Assert Time (off to on) | t_{SDA} | 0 | 55 | 100 | μs | Note 19 |
| Signal Detect De-assert Time (on to off) | t_{SDD} | 0 | 110 | 350 | μs | Note 20 |

HFBR-1119T Transmitter Optical Characteristics

(T_A = 0°C to 70°C, V_{CC} = 4.5 V to 5.5 V)

| Parameter | Symbol | Min. | Typ. | Max. | Unit | Reference |
|--|--|------------|------|--------------|------------------|--------------------|
| Output Optical Power 62.5/125 μm, NA = 0.275 Fiber | P _O , BOL P _O , EOL | -19 -20 | | -14 -14 | dBm avg. | Note 5 |
| Output Optical Power 50/125 μm, NA = 0.20 Fiber | P _O , BOL | -22.5 | | -14 | dBm avg. | Note 5 |
| Optical Extinction Ratio | | | | 0.03 -35 | % dB | Note 6 |
| Center Wavelength | λ _C | 1280 | 1308 | 1380 | nm | Note 7 Figure 8 |
| Spectral Width–FWHM | Δλ | | 137 | | nm | Note 7 Figure 8 |
| Optical Rise Time | t _r | 0.6 | | 2.0 | ns | Note 8 Figure 8 |
| Optical Fall Time | t _f | 0.6 | | 2.2 | ns | Note 8 Figure 8 |
| Deterministic Jitter Contributed by the Transmitter | DJ _C | | | 0.08 0.30 | ns rms ns p-p | Note 9 |
| Random Jitter Contributed by the Transmitter | RJ _C | | | 0.03 0.11 | ns p-p ns p-p | Note 10 |

HFBR-2119T Receiver Optical Characteristics

(T_A = 0°C to 70°C, V_{CC} = 4.5 V to 5.5 V)

| Parameter | Symbol | Min. | Typ. | Max | Unit | Reference |
|---|--------------------------------|------------------------|------|--------------|------------------|---------------------|
| Input Optical Power Minimum at Window Edge | P _{IN} Min. (W) | | | -26 | dBm avg. | Note 11 Figure 9 |
| Input Optical Power Minimum at Eye Center | P _{IN} Min. (C) | | | -28 | dBm avg. | Note 12 Figure 9 |
| Input Optical Power Maximum | P _{IN} Max. | -14 | | | dBm avg. | Note 11 |
| Operating Wavelength | λ | 1270 | | 1380 | nm | |
| Signal Detect–Asserted | P _A | P _D +1.5 dB | | -27 | dBm avg. | Note 13, 19 |
| Signal Detect–De-asserted | P _D | -45 | | | dBm avg. | Note 14, 20 |
| Signal Detect–Hysteresis | P _A -P _D | 1.5 | 2.4 | | dB | |
| Deterministic Jitter Contributed by the Receiver | DJ _C | | | 0.24 0.90 | ns rms ns p-p | Note 9, 11 |
| Random Jitter Contributed by the Receiver | RJ _C | | | 0.26 0.97 | ns rms ns p-p | Note 10, 11 |

Notes:

1. This is the maximum voltage that can be applied across the Differential Transmitter Data Inputs to prevent damage to the input ESD protection circuit.
2. When component testing these products, do not short the receiver Data or Signal Detect outputs directly to ground to avoid damage to the part.
3. The outputs are terminated with 50 Ω connected to $V_{CC} - 2\text{ V}$.
4. The power supply current needed to operate the transmitter is provided to differential ECL circuitry. This circuitry maintains a nearly constant current flow from the power supply. Constant current operation helps to prevent unwanted electrical noise from being generated and conducted or emitted to neighboring circuitry.
5. These optical power values are measured as follows:
 - The Beginning of Life (BOL) to the End of Life (EOL) optical power degradation is typically 1.5 dB per the industry convention for long wavelength LEDs. The actual degradation observed in Hewlett-Packard's 1300 nm LED products is < 1dB, as specified in this data sheet.
 - Over the specified operating voltage and temperature ranges.
 - With 25 MBd (12.5 MHz square-wave), input signal.
 - At the end of one meter of noted optical fiber with cladding modes removed.

The average power value can be converted to a peak power value by adding 3 dB. Higher output optical power transmitters are available on special request.

6. The Extinction Ratio is a measure of the modulation depth of the optical signal. The data "0" output optical power is compared to the data "1" peak output optical power and expressed as a percentage. With the transmitter driven by a 12.5 MHz square-wave signal, the average optical power is measured. The data "1" peak power is then calculated by adding 3 dB to the measured average optical power. The data "0" output optical power is found by measuring the optical power when the transmitter is driven by a logic "0" input. The extinction ratio is the ratio of the optical power at the "0" level compared to the optical power at the

"1" level expressed as a percentage or in decibels.

7. This parameter complies with the requirements for the tradeoffs between center wave length, spectral width, and rise/fall times shown in Figure 8.
8. The optical rise and fall times are measured from 10% to 90% when the transmitter is driven by a 25 MBd (12.5 MHz square-wave) input signal. This parameter complies with the requirements for the tradeoffs between center wavelength, spectral width, and rise/fall times shown in Figure 8.
9. Deterministic Jitter is defined as the combination of Duty Cycle Distortion and Data Dependent Jitter. Deterministic Jitter is measured with a test pattern consisting of repeating K28.5 (0011111010110000101) data bytes and evaluated per the method in FC-PH Annex A.4.3.
10. Random Jitter is specified with a sequence of K28.7 (square wave of alternating 5 ones and 5 zeros) data bytes and, for the receiver, evaluated at a Bit-Error-Ratio (BER) of 1×10^{-12} per the method in FC-PH Annex A.4.4.
11. This specification is intended to indicate the performance of the receiver when Input Optical Power signal characteristics are present per the following definitions. The Input Optical Power dynamic range from the minimum level (with a window time-width) to the maximum level is the range over which the receiver is guaranteed to provide output data with a Bit-Error-Ratio (BER) better than or equal to 1×10^{-12} .
 - At the Beginning of Life (BOL).
 - Over the specified operation temperature and voltage ranges.
 - Input symbol pattern is a 266 MBd, $2^7 - 1$ pseudo-random bit stream data pattern.
 - Receiver data window time-width is $\pm 0.94\text{ ns}$ or greater and centered at mid-symbol. This data window time width is calculated to simulate the effect of worst-case input jitter per FC-PH Annex J and clock recovery sampling position in order to insure good operation with the various FC-0 receiver circuits.
 - The maximum total jitter added by the receiver and the maximum total jitter presented to the clock recovery circuit comply with the maximum limits listed in Annex J,

but the allocations of the Rx added jitter between deterministic jitter and random jitter are different than in Annex J.

12. All conditions of Note 11 apply except that the measurement is made at the center of the symbol with no window time-width.
13. This value is measured during the transition from low to high levels of input optical power.
14. This value is measured during the transition from high to low levels of input optical power.
15. These values are measured with the outputs terminated into 50 Ω connected to $V_{CC} - 2\text{ V}$ and an input optical power level of -14 dBm average.
16. The power dissipation value is the power dissipated in the transmitter or the receiver itself. Power dissipation is calculated as the sum of the products of supply voltage and supply current, minus the sum of the products of the output voltages and currents.
17. These values are measured with respect to V_{CC} with the output terminated into 50 Ω connected to $V_{CC} - 2\text{ V}$.
18. The output rise and fall times are measured between 20% and 80% levels with the output connected to $V_{CC} - 2\text{ V}$ through 50 Ω .
19. The Signal Detect output shall be asserted, logic-high (V_{OH}), within 100 μs after a step increase of the Input Optical Power.
20. Signal Detect output shall be de-asserted, logic-low (V_{OL}), within 350 μs after a step decrease in the Input Optical Power.
21. This value is measured with an output load $R_L = 10\text{ k}\Omega$.