



FEATURES

- 2.4V to 7V Input Voltage Operation.
- Adjustable Output Voltage up to -40V.
- Low Quiescent Current at 80µA.
- Pulse Frequency Modulation Maintains High Efficiency (87%).
- 70KHz to 160KHz Switching Frequency.
- Power-Saving Shutdown Mode (0.7µA Typical).
- High Efficiency with Low Cost External PNP Bipolar Transistor.

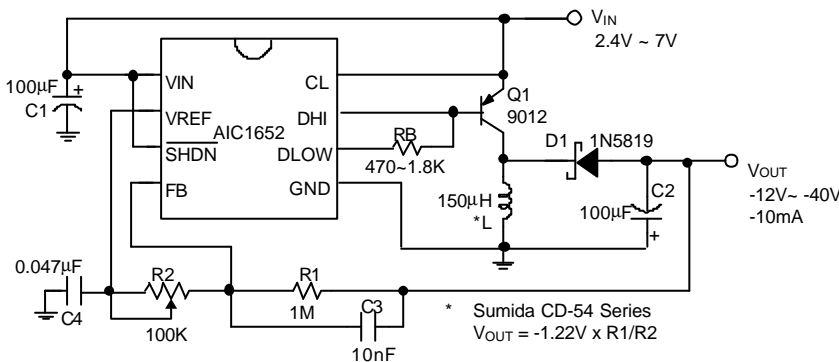
DESCRIPTION

The AIC1652 is a high performance inverting DC/DC converter, designed to drive an external power switch to generate programmable negative voltages. In the particularly suitable LCD bias contrast application, efficiency of 87% can be achieved with low cost PNP bipolar transistor drivers. Output voltage can be scaled to -40V or greater by two external resistors. A pulse frequency modulation scheme is employed to maintain high efficiency conversion under wide input voltage range. Quiescent current is about 80µA and can be reduced to 0.7µA in shutdown mode. Switching frequency being around 70KHz to 160KHz range, small size switching components are ideal for battery powered portable equipments, like notebook and palmtop computers.

APPLICATIONS

- Negative LCD Contrast Bias for
 1. Notebook & Palmtop Computers.
 2. Pen-Based Data System.
 3. Portable Data Collection Terminals.
 4. Personal Digital Assistants.
- Negative Voltage Supply.

TYPICAL APPLICATION CIRCUIT



Negative LCD Contrast Bias Power Supply

ORDERING INFORMATION

AIC1652 XX

- PACKAGE TYPE
 - N: PLASTIC DIP
 - S: SMALL OUTLINE
- TEMPERATURE RANGE
 - C=0°C~+70°C

ORDER NUMBER	PIN CONFIGURATION
AIC1652CN (PLASTIC DIP)	TOP VIEW
AIC1652CS (PLASTIC SO)	

**ABSOLUTE MAXIMUM RATINGS**

Supply Voltage	7V
$\overline{\text{SHDN}}$ Voltage	7V
Operation Temperature Range	0°C~70°C
Storage Temperature Range	-65°C~ 150°C

TEST CIRCUIT

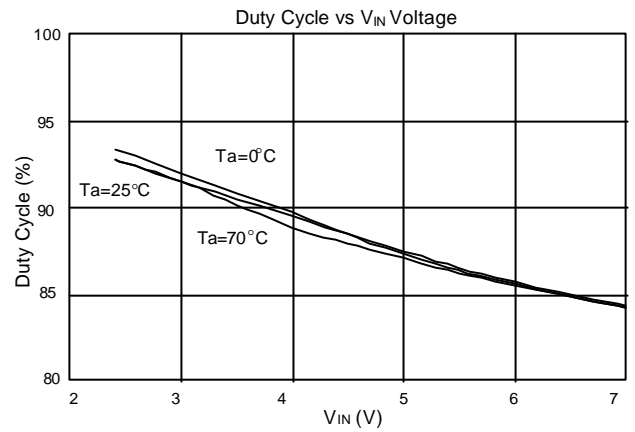
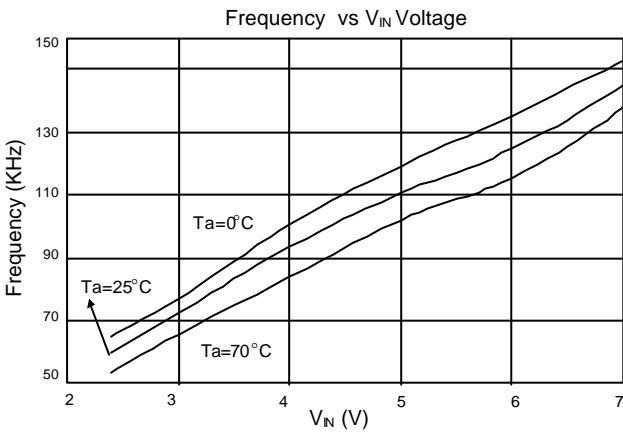
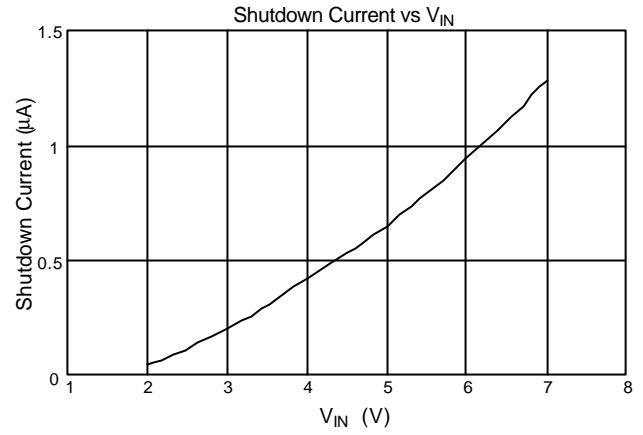
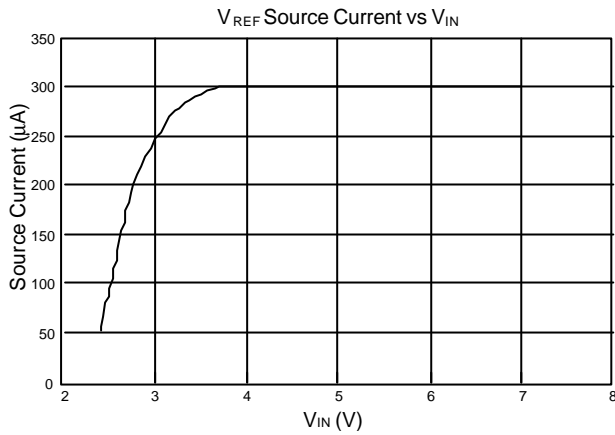
Refer to Typical Application Circuit.

ELECTRICAL CHARACTERISTICS ($V_{\text{IN}}=5\text{V}$, $T_a=25^\circ\text{C}$, unless otherwise specified.)

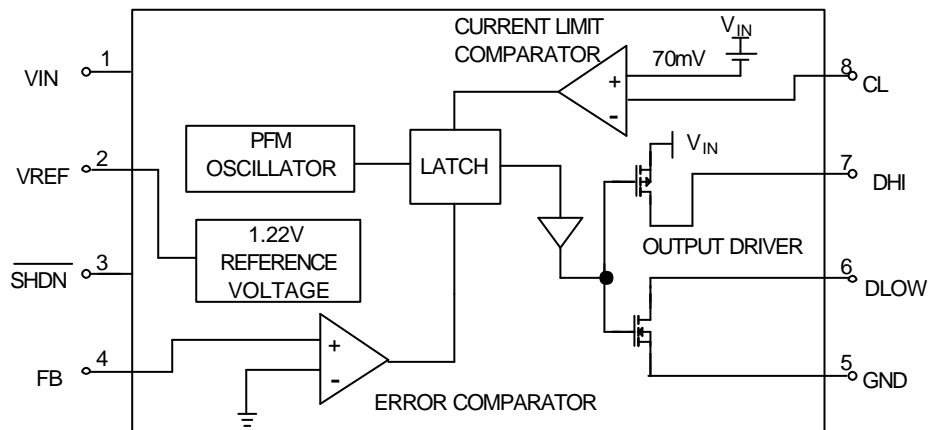
PARAMETER	TEST CONDITIONS	MIN.	TYP.	MAX.	UNIT
Input Voltage		2.4		7	V
Switch Off Current	$V_{\text{FB}}=-50\text{mV}$		80	150	μA
V_{REF} Voltage	$I_{\text{SOURCE}} = 250\mu\text{A}$	1.16	1.22	1.28	V
V_{REF} Source Current		250			μA
DLOW "ON Resistance"			5		Ω
DHI "ON Resistance"			7		Ω
CL Threshold			70		mV
Shutdown Threshold		0.8	1.5	2.4	V
Shutdown Mode Current	$\overline{V_{\text{SHDN}}} = 0\text{V}$		0.7	2	μA



TYPICAL PERFORMANCE CHARACTERISTICS



BLOCK DIAGRAM





PIN DESCRIPTIONS

PIN 1: VIN - 2.4V to 7V input supply voltage.

PIN 2: VREF - 1.22V reference output. Bypass with a 0.047 μ F capacitor to GND. Sourcing capability is guaranteed to be greater than 250 μ A.

PIN 3: $\overline{\text{SHDN}}$ - Logic input to shutdown the chip.
>1.5V = normal operation,
GND = shutdown
In shutdown mode DLOW and DHI pins are at high level.

PIN 4: FB - Feedback signal input to sense ground. Connecting a resistor R1 to V_{OUT} and a resistor R2 to V_{REF} pin yields the output voltage:

$$V_{\text{OUT}} = -(R1/R2) \times V_{\text{REF}}$$

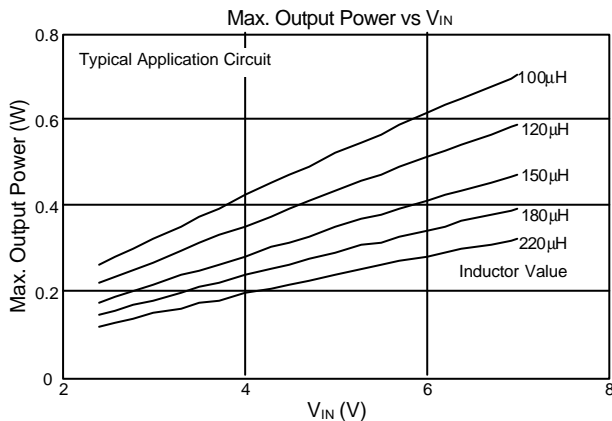
PIN 5: GND - Power ground.

PIN 6: DLOW - Driver sinking output. Connected to DHI when using an external P-channel MOSFET. When using an external PNP bipolar transistor, connect a resistor RB from this pin to DHI. RB value depends on V_{IN}, inductor and PNP bipolar transistor. By adjusting the RB value, efficiency can be optimized.

PIN 7: DHI - Driver sourcing output. Connect to gate of the external P-channel MOSFET or base of the PNP bipolar transistor.

PIN 8: CL - Current-limit input. This pin clamps the switch peak current to prevent over-current damage to the external switch.

APPLICATION INFORMATIONS



The typical application circuit generates an adjustable negative voltage for contrast bias of LCD displays. Efficiency and output power can be optimized by using appropriate inductor and switch. The following formulas provide a guideline for determining the optimal component values:

$$L = (11.1 - 0.15 \times V_{\text{IN}}) \times \frac{V_{\text{IN}}}{|I_{\text{OUT}}| \times |V_{\text{OUT}}|}$$

$$\text{PNP} : |V_{\text{CEO}}| > V_{\text{IN}} + |V_{\text{OUT}}|$$

$$|I_{\text{C,MAX}}| \geq 200 \times \frac{|I_{\text{OUT}}|}{V_{\text{IN}}}$$

$$|V_{\text{CE}}| < 0.4 \text{ V at } I_{\text{C}} = 200 \times \frac{I_{\text{OUT}}}{V_{\text{IN}}}$$

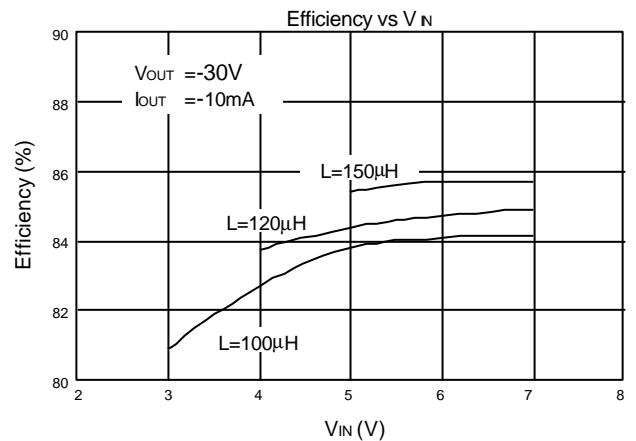
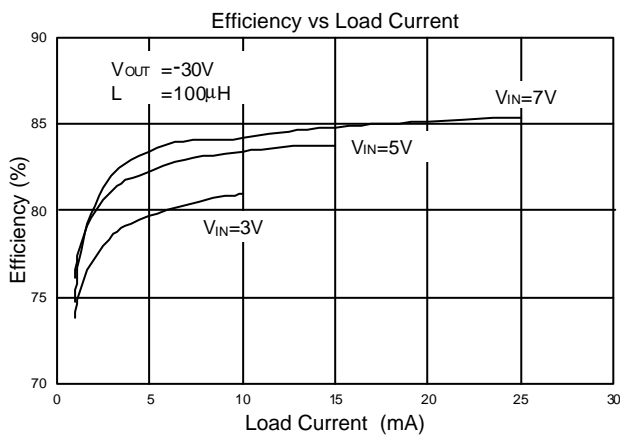
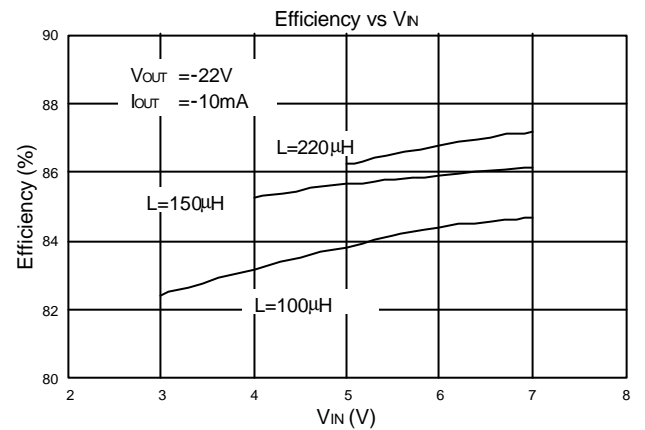
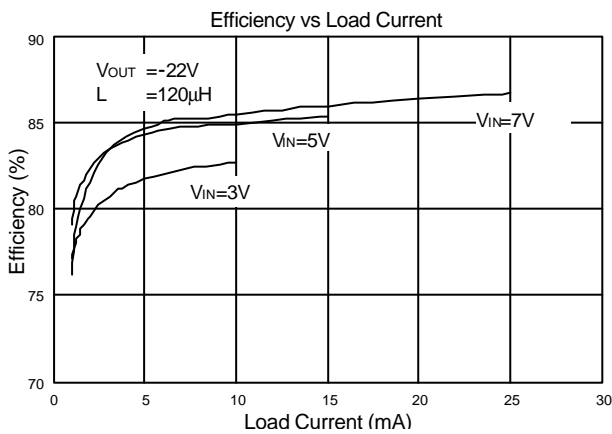
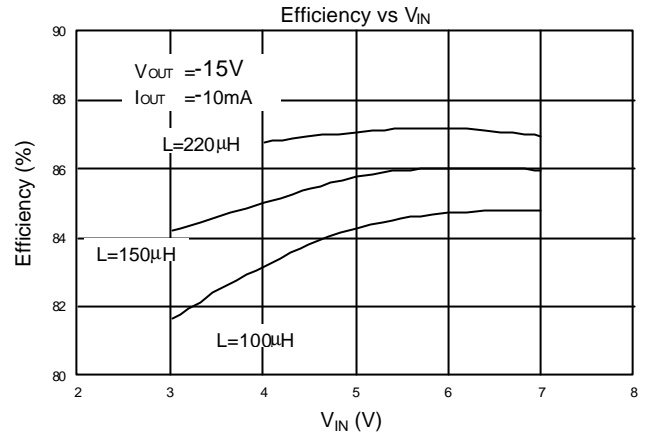
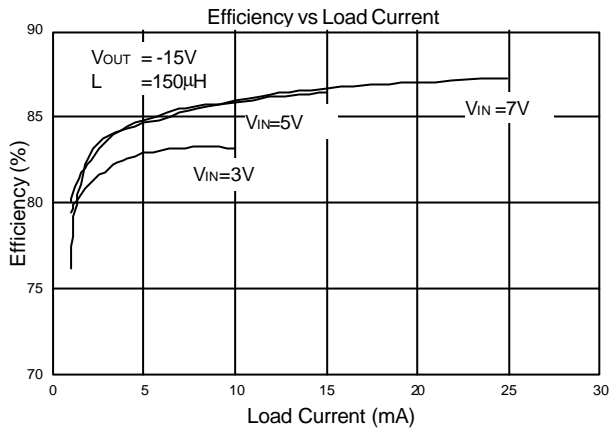
$$\text{and } b = 10$$

$$R_{\text{B}} \cong 3 \times L \times (V_{\text{IN}} - 0.8)$$

where, units: V_{IN} & V_{OUT} in V, I_{OUT} in A, L in μ H, R_B in Ω



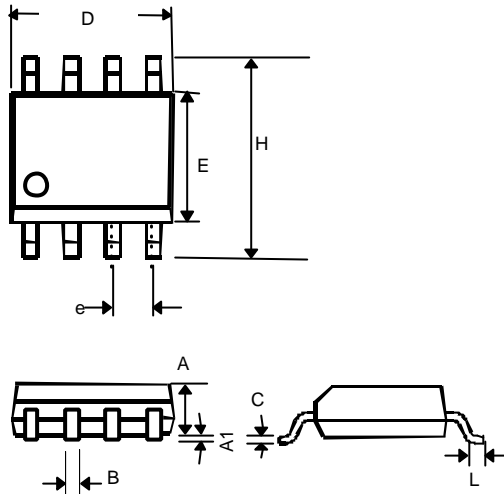
APPLICATION EXAMPLES





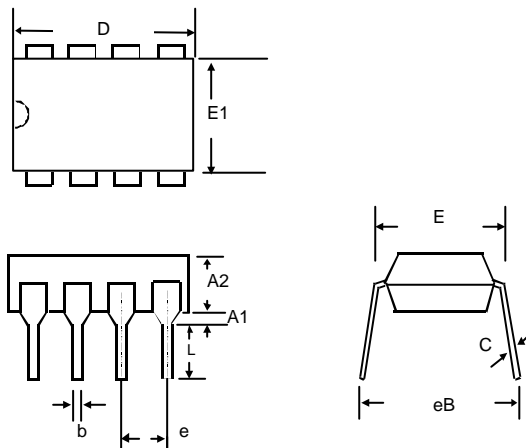
PHYSICAL DIMENSIONS

● **8 LEAD PLASTIC SO (unit: mm)**



SYMBOL	MIN	MAX
A	1.35	1.75
A1	0.10	0.25
B	0.33	0.51
C	0.19	0.25
D	4.80	5.00
E	3.80	4.00
e	1.27(TYP)	
H	5.80	6.20
L	0.40	1.27

● **8 LEAD PLASTIC DIP (unit: mm)**



SYMBOL	MIN	MAX
A1	0.381	—
A2	2.92	4.96
b	0.35	0.56
C	0.20	0.36
D	9.01	10.16
E	7.62	8.26
E1	6.09	7.12
e	2.54 (TYP)	
eB	—	10.92
L	2.92	3.81

UNIT: mm