

TOSHIBA BIPOLAR DIGITAL INTEGRATED CIRCUIT SILICON MONOLITHIC

TD62008AP, TD62008F, TD62008AF

7CH DARLINGTON SINK DRIVER

The TD62008AP/F/AF are high-voltage, high-current darlington drivers comprised of seven NPN darlington pairs.

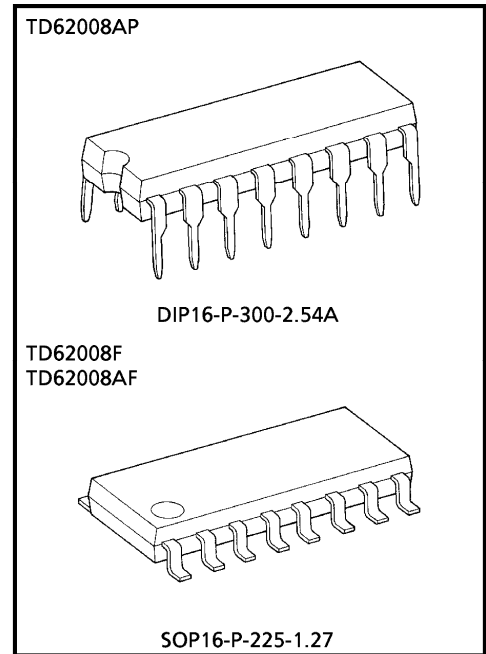
All units feature integral clamp diodes for switching inductive loads and protective diodes against a negative input voltage.

The TD62008AP/F/AF are suitable for interfaces from minus and plus dual supply voltage system to plus single supply voltage system.

Applications include relay, hammer, lamp and display (LED) drivers.

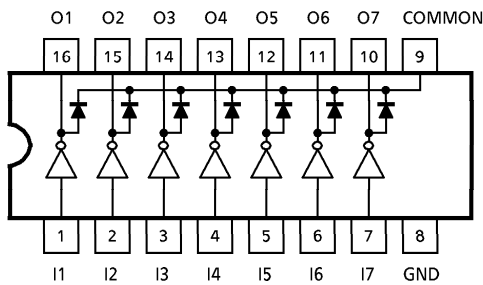
FEATURES

- Output current (single output) 400mA (Max.)
- High sustaining voltage output 50V (Min.)
- Output clamp diodes
- Protective diodes against a negative input voltage
- Inputs base resistor $R_{IN} = 20k\Omega$
- Inputs compatible with 9~15V PMOS, CMOS.
- Package type-AP : DIP-16pin
- Package type-F, AF : SOP-16pin

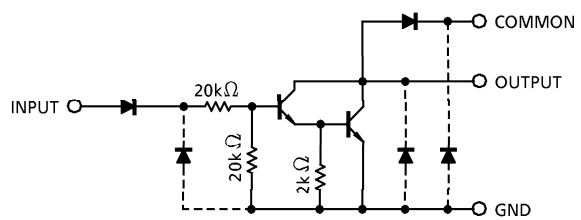


Weight
 DIP16-P-300-2.54A : 1.11g (Typ.)
 SOP16-P-225-1.27 : 0.16g (Typ.)

PIN CONNECTION (TOP VIEW)



SCHEMATICS (EACH DRIVER)



(Note) The input and output parasitic diodes cannot be used as clamp diodes.

961001EBA2

● TOSHIBA is continually working to improve the quality and the reliability of its products. Nevertheless, semiconductor devices in general can malfunction or fail due to their inherent electrical sensitivity and vulnerability to physical stress. It is the responsibility of the buyer, when utilizing TOSHIBA products, to observe standards of safety, and to avoid situations in which a malfunction or failure of a TOSHIBA product could cause loss of human life, bodily injury or damage to property. In developing your designs, please ensure that TOSHIBA products are used within specified operating ranges as set forth in the most recent products specifications. Also, please keep in mind the precautions and conditions set forth in the TOSHIBA Semiconductor Reliability Handbook.

● The products described in this document are subject to foreign exchange and foreign trade control laws.

● The information contained herein is presented only as a guide for the applications of our products. No responsibility is assumed by TOSHIBA CORPORATION for any infringements of intellectual property or other rights of the third parties which may result from its use. No license is granted by implication or otherwise under any intellectual property or other rights of TOSHIBA CORPORATION or others.

● The information contained herein is subject to change without notice.

MAXIMUM RATINGS (Ta = 25°C)

CHARACTERISTIC		SYMBOL	RATING	UNIT
Output Sustaining Voltage	AP / AF	V _{CE (SUS)}	- 0.5 ~ 50	V
	F		- 0.5 ~ 35	
Output Current		I _{OUT}	400	mA/ch
Input Voltage		V _{IN}	- 40 ~ 40	V
Clamp Diode Reverse Voltage	AP / AF	V _R	50	V
	F		35	
Clamp Diode Forward Current		I _F	400	mA
Power Dissipation	AP	P _D	1.47	W
	F / AF		0.625 (Note)	
Operating Temperature		T _{opr}	- 40 ~ 85	°C
Storage Temperature		T _{stg}	- 55 ~ 150	°C

(Note) On Glass Epoxy PCB (30 × 30 × 1.6mm Cu 50%)

RECOMMENDED OPERATING CONDITIONS (Ta = - 40 ~ 85°C)

CHARACTERISTIC		SYMBOL	CONDITION	MIN.	TYP.	MAX.	UNIT
Output Sustaining Voltage	AP / AF	V _{CE (SUS)}		0	—	50	V
	F			0	—	35	
Output Current	I _{OUT}		DC 1 Circuit, T _{pw} = 25%, Duty = 40%	0	—	400	mA
			T _{pw} = 25ms, Duty = 10%, 7 Circuits	0	—	200	
Input Voltage		V _{IN}		- 35	—	35	V
Clamp Diode Reverse Voltage	AP / AF	V _R		—	—	50	V
	F			—	—	35	
Clamp Diode Forward Current		I _F		—	—	400	mA
Power Dissipation	AP	P _D		—	—	0.52	W
	F / AF		(Note)	—	—	0.325	

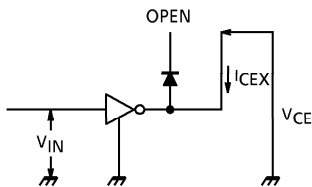
(Note) On Glass Epoxy PCB (30 × 30 × 1.6mm Cu 50%)

ELECTRICAL CHARACTERISTICS (Ta = 25°C)

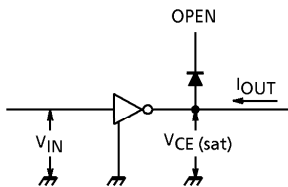
CHARACTERISTIC		SYMBOL	TEST CIRCUIT	TEST CONDITION	MIN.	TYP.	MAX.	UNIT
Output Leakage Current	AP / AF	I _{CEX}	1	V _{OUT} = 50V	—	—	100	μA
	F			V _{OUT} = 35V	—	—	100	
Collector-Emitter Saturation Voltage		V _{CE (sat)}	2	I _{OUT} = 400mA	—	1.3	2.4	V
				I _{OUT} = 200mA	—	1.0	1.6	
Input Current	"H" Level	I _{IN (ON)}	4	V _{IN} = 18V	—	0.85	1.8	mA
	"L" Level	I _{IN (OFF)}		V _{IN} = 35V	—	—	3.8	
DC Current Transfer Ratio		h _{FE}	3	V _{CE} = 4V, I _{OUT} = 350mA	1000	3000	—	
Clamp Diode Reverse Current		I _R	5	V _R = 50V, V _R = 35V (Type-F)	—	—	100	μA
Clamp Diode Forward Voltage		V _F	6	I _F = 400mA	—	1.5	2.4	V
Turn-On Delay	AP / AF	t _{ON}	7	C _L = 15pF	—	0.1	—	μs
	F							
Turn-Off Delay	AP / AF	t _{OFF}	7	C _L = 15pF	—	0.2	—	μs
	F							

TEST CIRCUIT

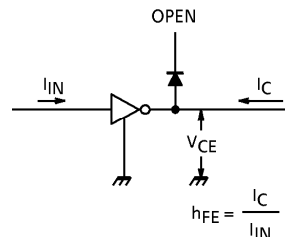
1. I_{CEX}



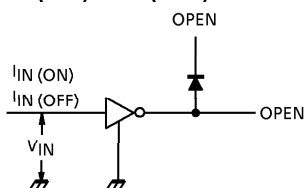
2. $V_{CE(sat)}$



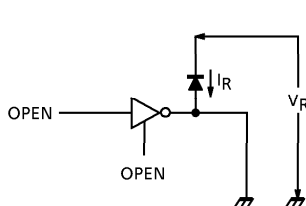
3. h_{FE}



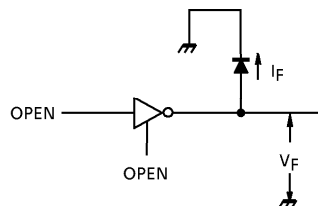
4. $I_{IN(ON)}, I_{IN(OFF)}$



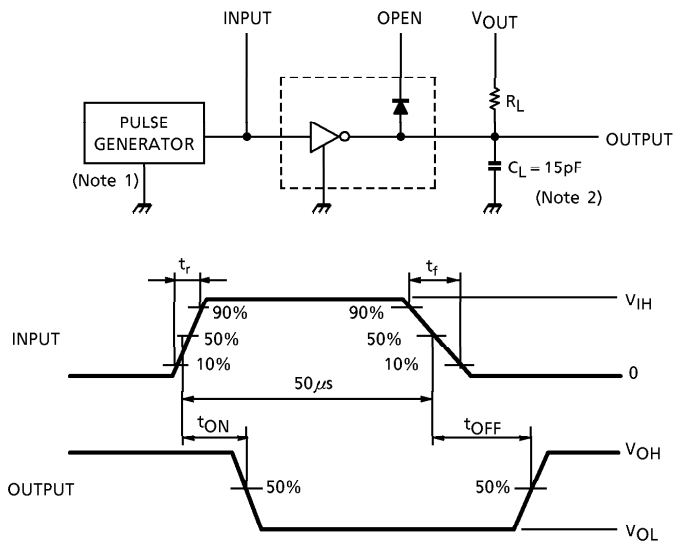
5. I_R



6. V_F



7. t_{ON}, t_{OFF}

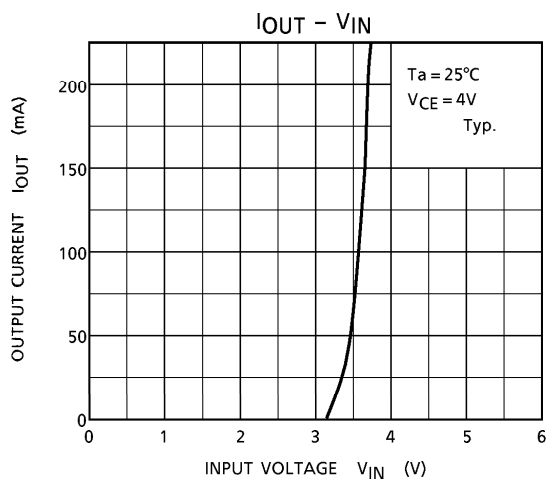
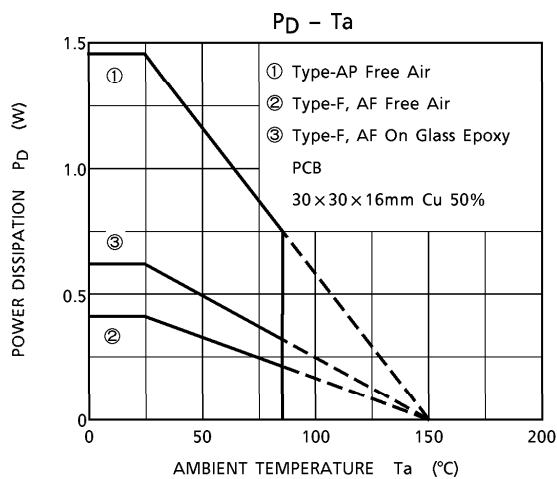
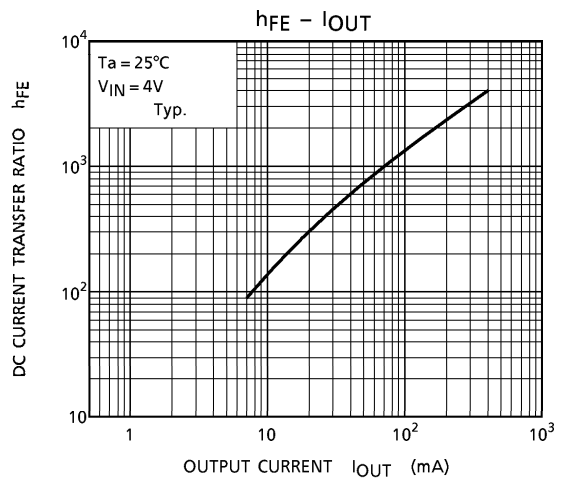
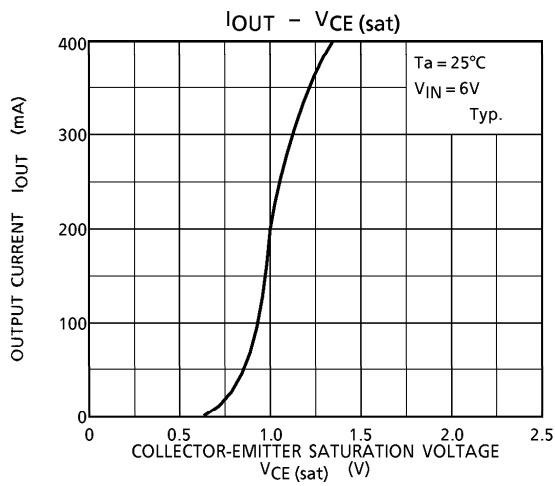
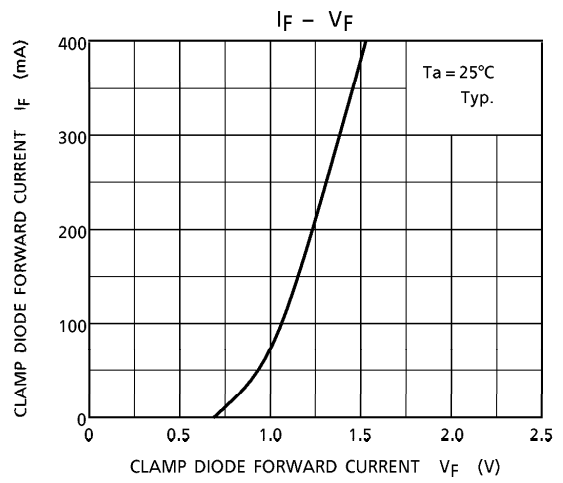
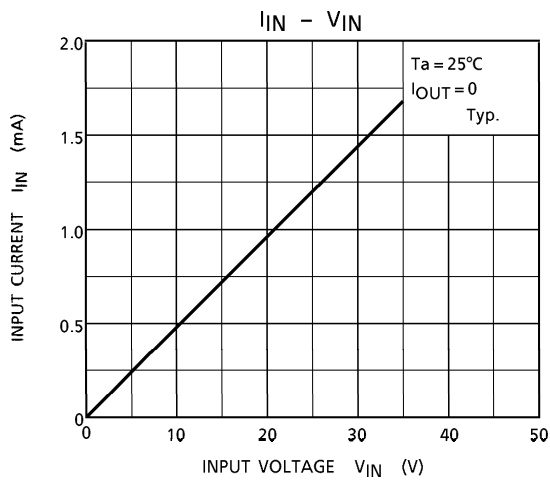


(Note 1) Pulse Width $50\mu s$
 Duty Cycle 10%
 Output Impedance 50Ω
 $t_r \leq 5ns, t_f \leq 10ns$

(Note 2) C_L includes probe and jig capacitance

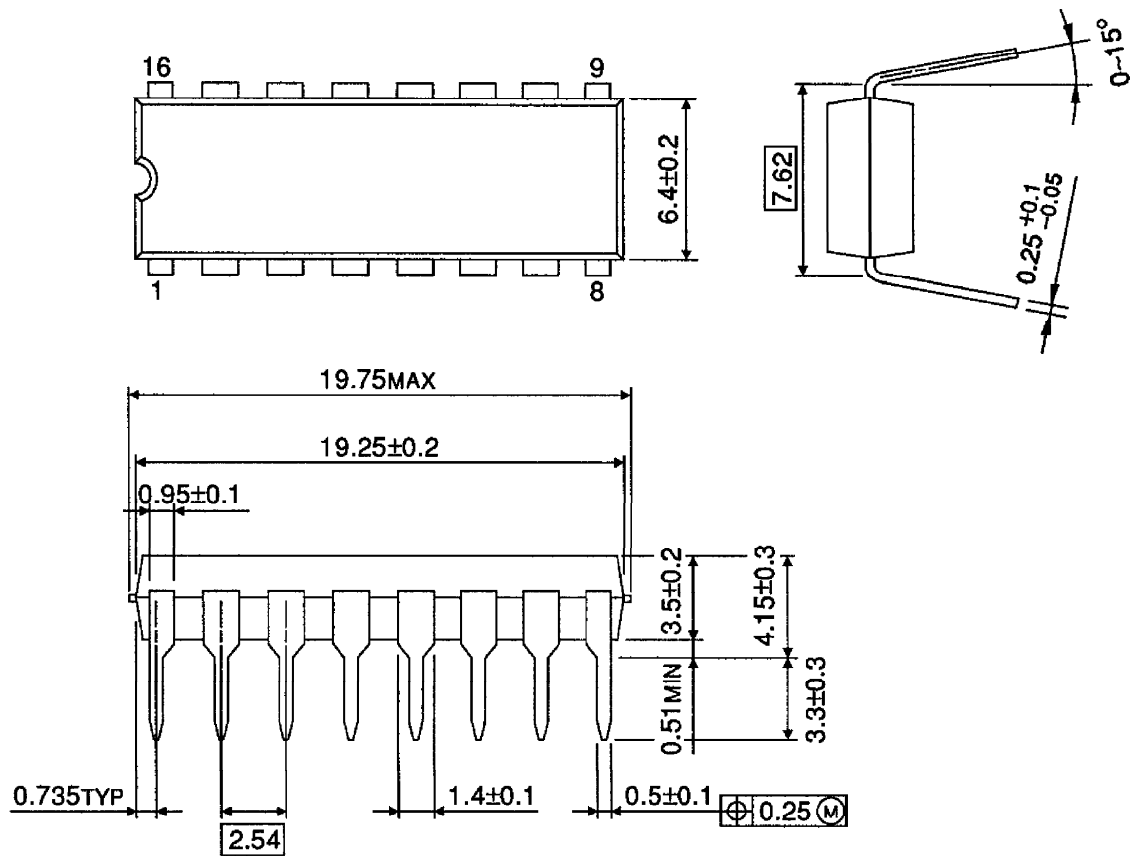
PRECAUTIONS for USING

Utmost care is necessary in the design of the output line, COMMON and GND line since IC may be destroyed due to short-circuit between outputs, air contamination fault, or fault by improper grounding.



OUTLINE DRAWING
DIP16-P-300-2.54A

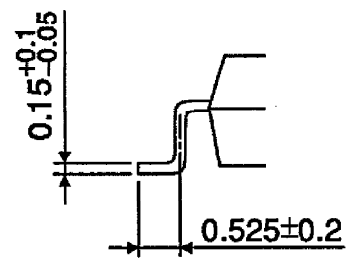
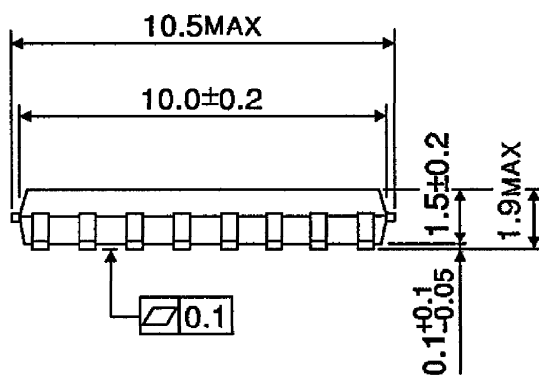
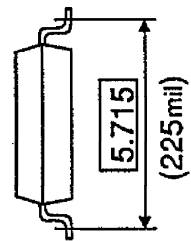
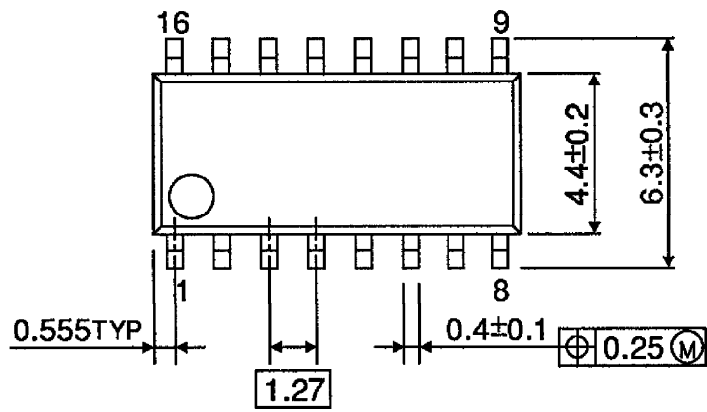
Unit : mm



Weight : 1.11g (Typ.)

OUTLINE DRAWING
SOP16-P-225-1.27

Unit : mm



Weight : 0.16g (Typ.)