

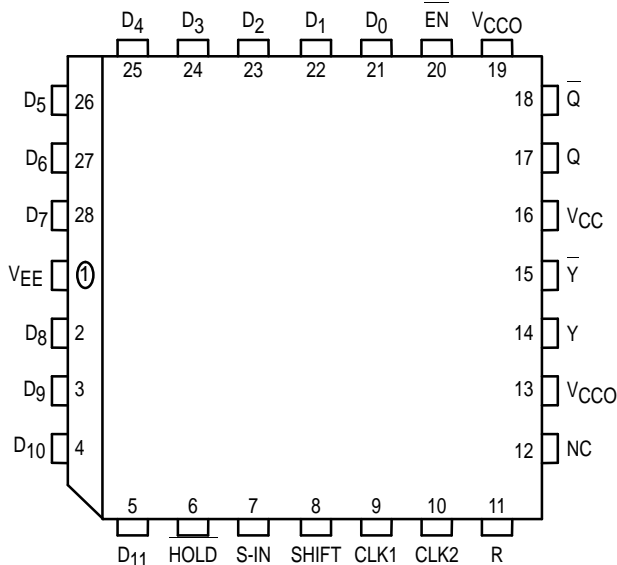
# 12-Bit Parity Generator/Checker

The MC10E100E160 is a 12-bit parity generator/checker. The Q output is HIGH when an odd number of inputs are HIGH. A HIGH on the Enable input (EN) forces the Q output LOW.

The E160 also features an output register. Multiplexers direct the register input, giving the option of holding present data by asserting HOLD LOW, or of shifting data in through the S-IN pin by asserting SHIFT HIGH. The output register itself is clocked by a positive edge on CLK1 or CLK2 (or both). A HIGH on the reset pin (R) overrides to force the Y output LOW.

- Provides Odd-HIGH Parity of 12 Inputs
- Shiftable Output Register with Hold
- 900ps Max. D to Q/Q Output
- Enable
- Asynchronous Register Reset
- Dual Clocks
- Extended 100E V<sub>EE</sub> Range of - 4.2V to - 5.46V
- 75kΩ Input Pulldown Resistors

Pinout: 28-Lead PLCC (Top View)



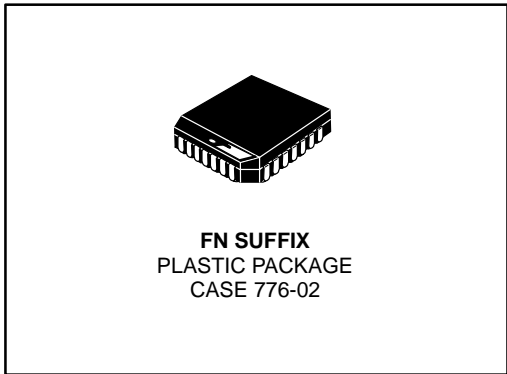
\* All VCC and VCC0 pins are tied together on the die.

**PIN NAMES**

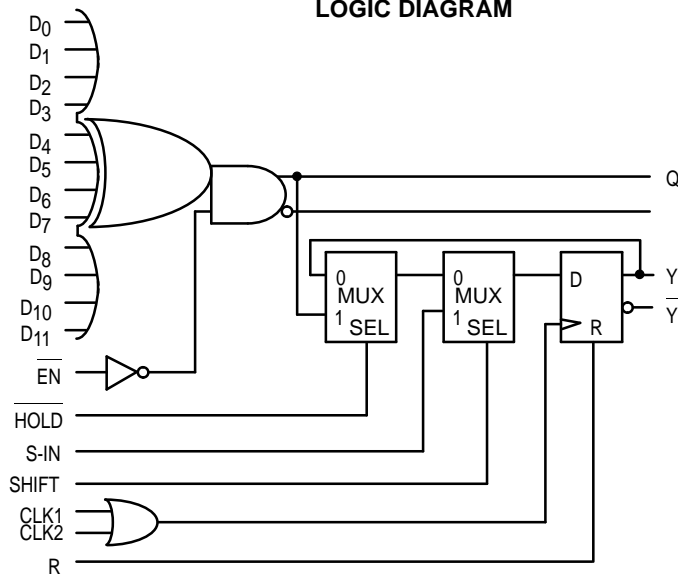
Pin	Function
D <sub>0</sub> - D <sub>11</sub>	Data Inputs
S-IN	Serial Data Input
EN	Enable, active LOW
HOLD	Hold, active LOW
SHIFT	Shift, active HIGH
CLK1, CLK2	Clock Inputs
R	Reset Inputs
Q, Q̄	Direct Output
Y, Ȳ	Register Output

**MC10E160**  
**MC100E160**

**12-BIT PARITY**  
**GENERATOR/CHECKER**



**LOGIC DIAGRAM**



MC10E160 MC100E160

**DC CHARACTERISTICS** ( $V_{EE} = V_{EE(min)}$  to  $V_{EE(max)}$ ;  $V_{CC} = V_{CCO} = GND$ )

Symbol	Characteristic	0°C			25°C			85°C			Unit	Condition
		min	typ	max	min	typ	max	min	typ	max		
$I_{IH}$	Input HIGH Current										$\mu A$	
	CLK1, CLK2			200			200			200		
	R			300			300			300		
	All Other Inputs			150			150			150		
$I_{EE}$	Power Supply Current										mA	
	10E		82	98		82	98		82	98		
	100E		82	98		82	98		94	113		

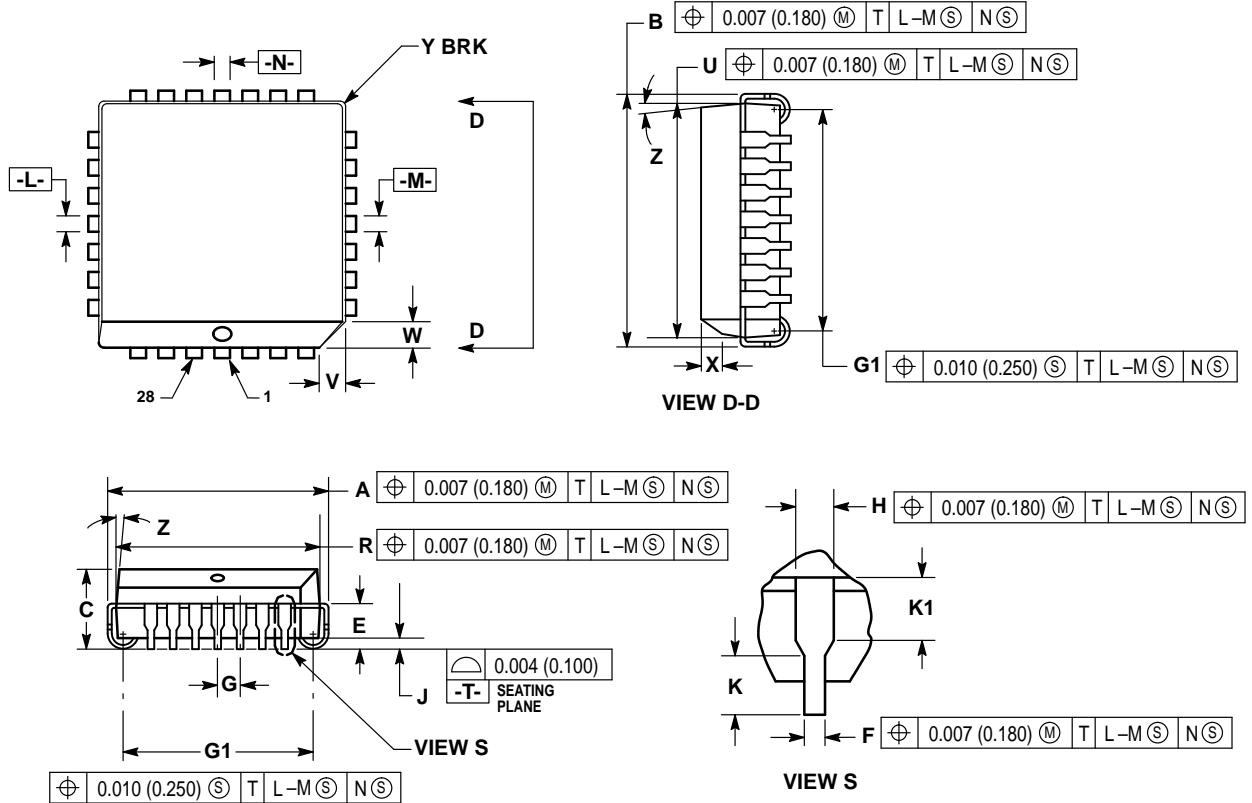
**AC CHARACTERISTICS** ( $V_{EE} = V_{EE(min)}$  to  $V_{EE(max)}$ ;  $V_{CC} = V_{CCO} = GND$ )

Symbol	Characteristic	0°C			25°C			85°C			Unit	Condition
		min	typ	max	min	typ	max	min	typ	max		
$t_{PLH}$ $t_{PHL}$	Propagation Delay to Output										ps	
	<u>D</u> to Q	400	650	950	400	650	950	400	650	950		
	En to Q	300	550	750	300	550	750	300	550	750		
	CLK to Y	275	500	700	275	500	700	275	500	700		
	R to Y	275	500	725	275	500	725	275	500	725		
$t_s$	Setup Time										ps	
	<u>D</u>	1200	900		1200	900		1200	900			
	HOLD	600	300		600	300		600	300			
	S-IN	350	150		350	150		350	150			
	SHIFT	500	250		500	250		500	250			
$t_h$	Hold Time										ps	
	<u>D</u>	-400	-900		-400	-900		-400	-900			
	HOLD	100	-300		100	-300		100	-300			
	S-IN	300	-150		300	-150		300	-150			
	SHIFT	200	-250		200	-250		200	-250			
$t_r$ $t_f$	Rise/Fall Time 20 - 80%	300	450	650	300	450	650	300	450	650	ps	

1. Within a device skew is guaranteed for identical transitions on similar paths through a device.

OUTLINE DIMENSIONS


FN SUFFIX  
 PLASTIC PLCC PACKAGE  
 CASE 776-02  
 ISSUE D



NOTES:

- DATUMS -L-, -M-, AND -N- DETERMINED WHERE TOP OF LEAD SHOULDER EXITS PLASTIC BODY AT MOLD PARTING LINE.
- DIM G1, TRUE POSITION TO BE MEASURED AT DATUM -T-, SEATING PLANE.
- DIM R AND U DO NOT INCLUDE MOLD FLASH. ALLOWABLE MOLD FLASH IS 0.010 (0.250) PER SIDE.
- DIMENSIONING AND TOLERANCING PER ANSI Y14.5M, 1982.
- CONTROLLING DIMENSION: INCH.
- THE PACKAGE TOP MAY BE SMALLER THAN THE PACKAGE BOTTOM BY UP TO 0.012 (0.300). DIMENSIONS R AND U ARE DETERMINED AT THE OUTERMOST EXTREMES OF THE PLASTIC BODY EXCLUSIVE OF MOLD FLASH, TIE BAR BURRS, GATE BURRS AND INTERLEAD FLASH, BUT INCLUDING ANY MISMATCH BETWEEN THE TOP AND BOTTOM OF THE PLASTIC BODY.
- DIMENSION H DOES NOT INCLUDE DAMBAR PROTRUSION OR INTRUSION. THE DAMBAR PROTRUSION(S) SHALL NOT CAUSE THE H DIMENSION TO BE GREATER THAN 0.037 (0.940). THE DAMBAR INTRUSION(S) SHALL NOT CAUSE THE H DIMENSION TO BE SMALLER THAN 0.025 (0.635).

DIM	INCHES		MILLIMETERS	
	MIN	MAX	MIN	MAX
A	0.485	0.495	12.32	12.57
B	0.485	0.495	12.32	12.57
C	0.165	0.180	4.20	4.57
E	0.090	0.110	2.29	2.79
F	0.013	0.019	0.33	0.48
G	0.050 BSC		1.27 BSC	
H	0.026	0.032	0.66	0.81
J	0.020	—	0.51	—
K	0.025	—	0.64	—
R	0.450	0.456	11.43	11.58
U	0.450	0.456	11.43	11.58
V	0.042	0.048	1.07	1.21
W	0.042	0.048	1.07	1.21
X	0.042	0.056	1.07	1.42
Y	—	0.020	—	0.50
Z	2°		10°	
G1	0.410	0.430	10.42	10.92
K1	0.040	—	1.02	—

Motorola reserves the right to make changes without further notice to any products herein. Motorola makes no warranty, representation or guarantee regarding the suitability of its products for any particular purpose, nor does Motorola assume any liability arising out of the application or use of any product or circuit, and specifically disclaims any and all liability, including without limitation consequential or incidental damages. "Typical" parameters which may be provided in Motorola data sheets and/or specifications can and do vary in different applications and actual performance may vary over time. All operating parameters, including "Typicals" must be validated for each customer application by customer's technical experts. Motorola does not convey any license under its patent rights nor the rights of others. Motorola products are not designed, intended, or authorized for use as components in systems intended for surgical implant into the body, or other applications intended to support or sustain life, or for any other application in which the failure of the Motorola product could create a situation where personal injury or death may occur. Should Buyer purchase or use Motorola products for any such unintended or unauthorized application, Buyer shall indemnify and hold Motorola and its officers, employees, subsidiaries, affiliates, and distributors harmless against all claims, costs, damages, and expenses, and reasonable attorney fees arising out of, directly or indirectly, any claim of personal injury or death associated with such unintended or unauthorized use, even if such claim alleges that Motorola was negligent regarding the design or manufacture of the part. Motorola and  are registered trademarks of Motorola, Inc. Motorola, Inc. is an Equal Opportunity/Affirmative Action Employer.

**How to reach us:**

**USA/EUROPE/Locations Not Listed:** Motorola Literature Distribution;  
P.O. Box 20912; Phoenix, Arizona 85036. 1-800-441-2447 or 602-303-5454

**MFAX:** RMFAX0@email.sps.mot.com – TOUCHTONE 602-244-6609  
**INTERNET:** <http://Design-NET.com>

**JAPAN:** Nippon Motorola Ltd.; Tatsumi-SPD-JLDC, 6F Seibu-Butsuryu-Center,  
3-14-2 Tatsumi Koto-Ku, Tokyo 135, Japan. 03-81-3521-8315

**ASIA/PACIFIC:** Motorola Semiconductors H.K. Ltd.; 8B Tai Ping Industrial Park,  
51 Ting Kok Road, Tai Po, N.T., Hong Kong. 852-26629298

