

FEATURES

- Real time clock counts seconds, minutes, hours, date of the month, month, day of the week, and year with leap year compensation valid up to 2100
- 56 byte nonvolatile RAM for data storage
- 2-wire serial interface
- Programmable squarewave output signal
- Automatic power-fail detect and switch circuitry
- Consumes less than 500 nA in battery backup mode with oscillator running
- Optional industrial temperature range -40°C to +85°C
- Available in 8-pin DIP or SOIC
- Recognized by Underwriters Laboratory

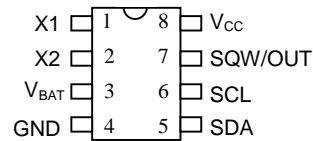
ORDERING INFORMATION

DS1307	8-Pin DIP
DS1307Z	8-Pin SOIC (150 mil)
DS1307N	8-Pin DIP (Industrial)
DS1307ZN	8-Pin SOIC (Industrial)

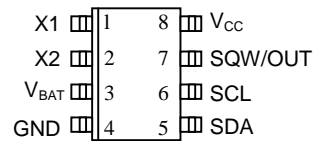
DESCRIPTION

The DS1307 Serial Real Time Clock is a low power, full BCD clock/calendar plus 56 bytes of nonvolatile SRAM. Address and data are transferred serially via a 2-wire bi-directional bus. The clock/calendar provides seconds, minutes, hours, day, date, month, and year information. The end of the month date is automatically adjusted for months with less than 31 days, including corrections for leap year. The clock operates in either the 24-hour or 12-hour format with AM/PM indicator. The DS1307 has a built-in power sense circuit which detects power failures and automatically switches to the battery supply.

PIN ASSIGNMENT



DS1307 8-Pin DIP (300 mil)



DS1307Z 8-Pin SOIC (150 mil)

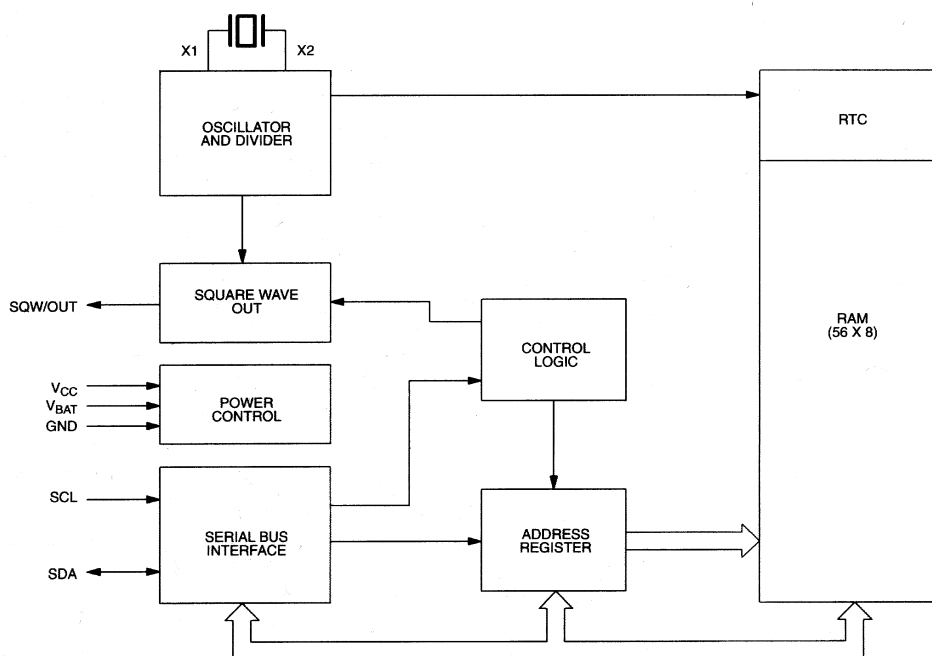
PIN DESCRIPTION

V _{CC}	- Primary Power Supply
X1, X2	- 32.768 kHz Crystal Connection
V _{BAT}	- +3V Battery Input
GND	- Ground
SDA	- Serial Data
SCL	- Serial Clock
SQW/OUT	- Square wave/Output Driver

OPERATION

The DS1307 operates as a slave device on the serial bus. Access is obtained by implementing a START condition and providing a device identification code followed by a register address. Subsequent registers can be accessed sequentially until a STOP condition is executed. When V_{CC} falls below $1.25 \times V_{BAT}$ the device terminates an access in progress and resets the device address counter. Inputs to the device will not be recognized at this time to prevent erroneous data from being written to the device from an out of tolerance system. When V_{CC} falls below V_{BAT} the device switches into a low current battery backup mode. Upon power up, the device switches from battery to V_{CC} when V_{CC} is greater than $V_{BAT} + 0.2V$ and recognizes inputs when V_{CC} is greater than $1.25 \times V_{BAT}$. The block diagram in Figure 1 shows the main elements of the Serial Real Time Clock.

DS1307 BLOCK DIAGRAM Figure 1



SIGNAL DESCRIPTIONS

V_{CC} , GND - DC power is provided to the device on these pins. V_{CC} is the +5 volt input. When 5 volts is applied within normal limits, the device is fully accessible and data can be written and read. When a 3-volt battery is connected to the device and V_{CC} is below $1.25 \times V_{BAT}$, reads and writes are inhibited. However, the Timekeeping function continues unaffected by the lower input voltage. As V_{CC} falls below V_{BAT} the RAM and timekeeper are switched over to the external power supply (nominal 3.0V DC) at V_{BAT} .

V_{BAT} - Battery input for any standard 3-volt lithium cell or other energy source. Battery voltage must be held between 2.0 and 3.5 volts for proper operation. The nominal write protect trip point voltage at which access to the real time clock and user RAM is denied is set by the internal circuitry as $1.25 \times V_{BAT}$ nominal. A lithium battery with 48 mAhr or greater will back up the DS1307 for more than 10 years in the absence of power at 25 degrees C.

SCL (Serial Clock Input) - SCL is used to synchronize data movement on the serial interface.

SDA (Serial Data Input/Output) - SDA is the input/output pin for the 2-wire serial interface. The SDA pin is open drain which requires an external pullup resistor.

SQW/OUT (Square Wave/ Output Driver) - When enabled, the SQWE bit set to 1, the SQW/OUT pin outputs one of four square wave frequencies (1 Hz, 4 kHz, 8 kHz, 32 kHz). The SQW/OUT pin is open drain which requires an external pullup resistor. SQW/OUT will operate with either Vcc or Vbat applied.

X1, X2 - Connections for a standard 32.768 kHz quartz crystal. The internal oscillator circuitry is designed for operation with a crystal having a specified load capacitance (CL) of 12.5 pF.

For more information on crystal selection and crystal layout considerations, please consult Application Note 58, “Crystal Considerations with Dallas Real Time Clocks.” The DS1307 can also be driven by an external 32.768 kHz oscillator. In this configuration, the X1 pin is connected to the external oscillator signal and the X2 pin is floated.

Please review Application Note 95, “Interfacing the DS1307 with a 8051-Compatible Microcontroller” for additional information.

RTC AND RAM ADDRESS MAP

The address map for the RTC and RAM registers of the DS1307 is shown in Figure 2. The real time clock registers are located in address locations 00h to 07h. The RAM registers are located in address locations 08h to 3Fh. During a multi-byte access, when the address pointer reaches 3Fh, the end of RAM space, it wraps around to location 00h, the beginning of the clock space.

DS1307 ADDRESS MAP Figure 2

00H	SECONDS
	MINUTES
	HOURS
	DAY
	DATE
	MONTH
	YEAR
07H	CONTROL
08H	RAM
3FH	56 x 8

CLOCK AND CALENDAR

The time and calendar information is obtained by reading the appropriate register bytes. The real time clock registers are illustrated in Figure 3. The time and calendar are set or initialized by writing the appropriate register bytes. The contents of the time and calendar registers are in the Binary-Coded Decimal (BCD) format. Bit 7 of Register 0 is the Clock Halt (CH) bit. When this bit is set to a 1, the oscillator is disabled. When cleared to a 0, the oscillator is enabled.

Please note that the initial power on state of all registers is not defined. Therefore it is important to enable the oscillator (CH bit=0) during initial configuration.

The DS1307 can be run in either 12-hour or 24-hour mode. Bit 6 of the hours register is defined as the 12- or 24-hour mode select bit. When high, the 12-hour mode is selected. In the 12-hour mode, bit 5 is the AM/PM bit with logic high being PM. In the 24-hour mode, bit 5 is the second 10 hour bit (20-23 hours).

On a 2-wire START, the current time is transferred to a second set of registers. The time information is read from these secondary registers, while the clock may continue to run. This eliminates the need to re-read the registers in case of an update of the main registers during a read.

DS1307 TIMEKEEPER REGISTERS Figure 3

		BIT7							BIT0				
00H	CH	10 SECONDS			SECONDS					00-59			
	X	10 MINUTES			MINUTES					00-59			
	X	12/24	10 HR A/P	10 HR	HOURS					01-12 00-23			
	X	X	X	X	X	DAY					1-7		
	X	X	10 DATE		DATE					01-28/29 01-30 01-31			
	X	X	X	10 MONTH	MONTH					01-12			
	10 YEAR			YEAR					00-99				
07H	OUT	X	X	SQWE	X	X	RS1	RS0					

CONTROL REGISTER

The DS1307 Control Register is used to control the operation of the SQW/OUT pin.

BIT 7	BIT 6	BIT 5	BIT 4	BIT 3	BIT 2	BIT 1	BIT 0
OUT	X	X	SQWE	X	X	RS1	RS0

OUT (Output control): This bit controls the output level of the SQW/OUT pin when the square wave output is disabled. If SQWE=0, the logic level on the SQW/OUT pin is 1 if OUT=1 and is 0 if OUT=0.

SQWE (Square Wave Enable): This bit, when set to a logic 1, will enable the oscillator output. The frequency of the square wave output depends upon the value of the RS0 and RS1 bits.

RS (Rate Select): These bits control the frequency of the square wave output when the square wave output has been enabled. Table 1 lists the square wave frequencies that can be selected with the RS bits.

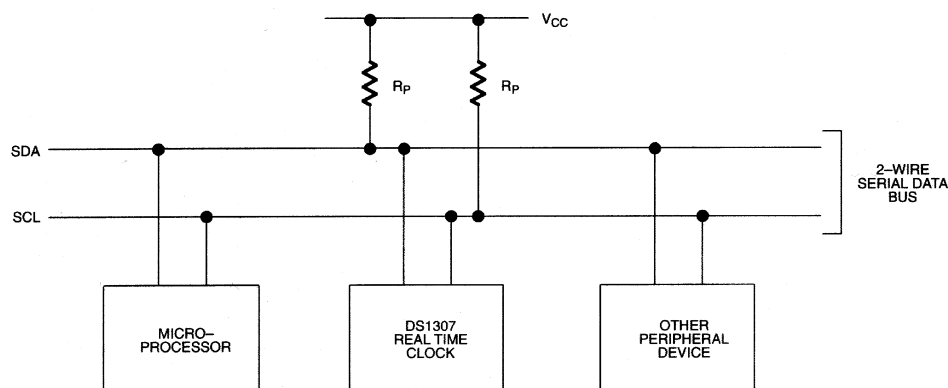
SQUAREWAVE OUTPUT FREQUENCY Table 1

RS1	RS0	SQW OUTPUT FREQUENCY
0	0	1 Hz
0	1	4.096 kHz
1	0	8.192 kHz
1	1	32.768 kHz

2-WIRE SERIAL DATA BUS

The DS1307 supports a bi-directional 2-wire bus and data transmission protocol. A device that sends data onto the bus is defined as a transmitter and a device receiving data as a receiver. The device that controls the message is called a master. The devices that are controlled by the master are referred to as slaves. The bus must be controlled by a master device which generates the serial clock (SCL), controls the bus access, and generates the START and STOP conditions. The DS1307 operates as a slave on the 2-wire bus. A typical bus configuration using this 2-wire protocol is shown in Figure 4.

TYPICAL 2-WIRE BUS CONFIGURATION Figure 4



Figures 5, 6, and 7 detail how data is transferred on the 2-wire bus.

- Data transfer may be initiated only when the bus is not busy.
- During data transfer, the data line must remain stable whenever the clock line is HIGH. Changes in the data line while the clock line is high will be interpreted as control signals.

Accordingly, the following bus conditions have been defined:

Bus not busy: Both data and clock lines remain HIGH.

Start data transfer: A change in the state of the data line, from HIGH to LOW, while the clock is HIGH, defines a START condition.

Stop data transfer: A change in the state of the data line, from LOW to HIGH, while the clock line is HIGH, defines the STOP condition.

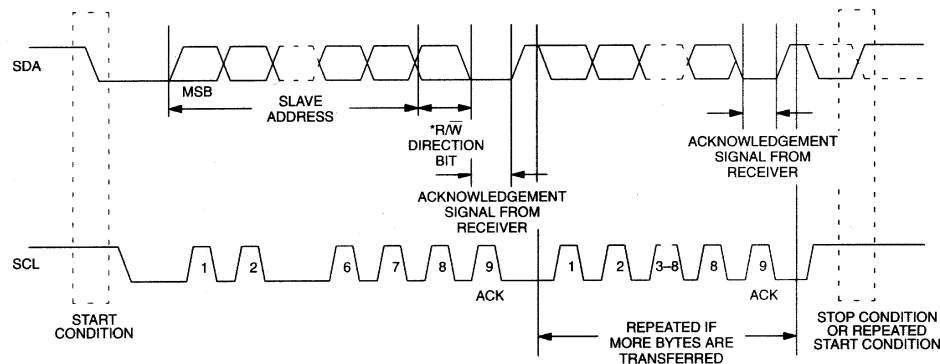
Data valid: The state of the data line represents valid data when, after a START condition, the data line is stable for the duration of the HIGH period of the clock signal. The data on the line must be changed during the LOW period of the clock signal. There is one clock pulse per bit of data.

Each data transfer is initiated with a START condition and terminated with a STOP condition. The number of data bytes transferred between START and STOP conditions is not limited, and is determined by the master device. The information is transferred byte-wise and each receiver acknowledges with a ninth bit. Within the 2-wire bus specifications a regular mode (100 kHz clock rate) and a fast mode (400 kHz clock rate) are defined. The DS1307 operates in the regular mode (100 kHz) only.

Acknowledge: Each receiving device, when addressed, is obliged to generate an acknowledge after the reception of each byte. The master device must generate an extra clock pulse which is associated with this acknowledge bit.

A device that acknowledges must pull down the SDA line during the acknowledge clock pulse in such a way that the SDA line is stable LOW during the HIGH period of the acknowledge related clock pulse. Of course, setup and hold times must be taken into account. A master must signal an end of data to the slave by not generating an acknowledge bit on the last byte that has been clocked out of the slave. In this case, the slave must leave the data line HIGH to enable the master to generate the STOP condition.

DATA TRANSFER ON 2-WIRE SERIAL BUS Figure 5



Depending upon the state of the $\overline{R/\overline{W}}$ bit, two types of data transfer are possible:

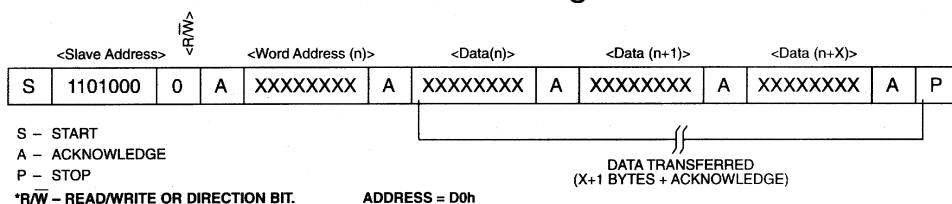
1. **Data transfer from a master transmitter to a slave receiver.** The first byte transmitted by the master is the slave address. Next follows a number of data bytes. The slave returns an acknowledge bit after each received byte. Data is transferred with the most significant bit (MSB) first.
2. **Data transfer from a slave transmitter to a master receiver.** The first byte (the slave address) is transmitted by the master. The slave then returns an acknowledge bit. This is followed by the slave transmitting a number of data bytes. The master returns an acknowledge bit after all received bytes other than the last byte. At the end of the last received byte, a 'not acknowledge' is returned.

The master device generates all of the serial clock pulses and the START and STOP conditions. A transfer is ended with a STOP condition or with a repeated START condition. Since a repeated START condition is also the beginning of the next serial transfer, the bus will not be released. Data is transferred with the most significant bit (MSB) first.

The DS1307 may operate in the following two modes:

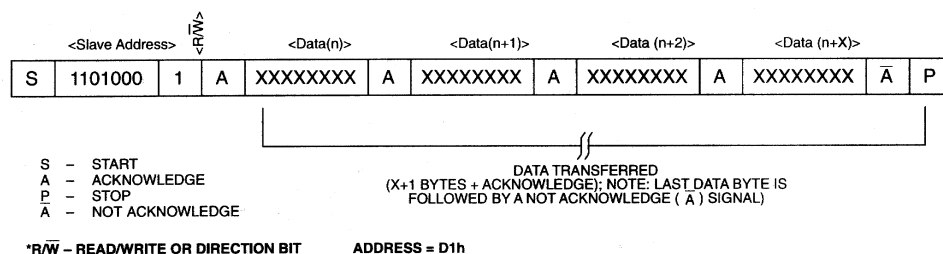
1. **Slave receiver mode (DS1307 write mode):** Serial data and clock are received through SDA and SCL. After each byte is received an acknowledge bit is transmitted. START and STOP conditions are recognized as the beginning and end of a serial transfer. Address recognition is performed by hardware after reception of the slave address and *direction bit (See Figure 6). The address byte is the first byte received after the start condition is generated by the master. The address byte contains the 7 bit DS1307 address, which is 1101000, followed by the *direction bit (R/\overline{W}) which, for a write, is a 0. After receiving and decoding the address byte the device outputs an acknowledge on the SDA line. After the DS1307 acknowledges the slave address + write bit, the master transmits a register address to the DS1307. This will set the register pointer on the DS1307. The master will then begin transmitting each byte of data with the DS1307 acknowledging each byte received. The master will generate a stop condition to terminate the data write.

DATA WRITE - SLAVE RECEIVER MODE Figure 6



2. **Slave transmitter mode (DS1307 read mode):** The first byte is received and handled as in the slave receiver mode. However, in this mode, the *direction bit will indicate that the transfer direction is reversed. Serial data is transmitted on SDA by the DS1307 while the serial clock is input on SCL. START and STOP conditions are recognized as the beginning and end of a serial transfer (See Figure 7). The address byte is the first byte received after the start condition is generated by the master. The address byte contains the 7-bit DS1307 address, which is 1101000, followed by the *direction bit (R/\overline{W}) which, for a read, is a 1. After receiving and decoding the address byte the device inputs an acknowledge on the SDA line. The DS1307 then begins to transmit data starting with the register address pointed to by the register pointer. If the register pointer is not written to before the initiation of a read mode the first address that is read is the last one stored in the register pointer. The DS1307 must receive a Not Acknowledge to end a read.

DATA READ - SLAVE TRANSMITTER MODE Figure 7



ABSOLUTE MAXIMUM RATINGS*

Voltage on Any Pin Relative to Ground	-0.5V to +7.0V
Operating Temperature	0°C to 70°C (-40°C to 85°C for industrial)
Storage Temperature	-55°C to +125°C
Soldering Temperature	260°C for 10 seconds DIP See JPC/JEDEC Standard J-STD-020A for Surface Mount Devices

* This is a stress rating only and functional operation of the device at these or any other conditions above those indicated in the operation sections of this specification is not implied. Exposure to absolute maximum rating conditions for extended periods of time may affect reliability.

RECOMMENDED DC OPERATING CONDITIONS

(0°C to 70°C or -40°C to +85°C)

PARAMETER	SYMBOL	MIN	TYP	MAX	UNITS	NOTES
Supply Voltage	V _{CC}	4.5	5.0	5.5	V	1
Logic 1	V _{IH}	2.2		V _{CC} +0.3	V	1
Logic 0	V _{IL}	-0.3		+0.8	V	1
V _{BAT} Battery Voltage	V _{BAT}	2.0		3.5	V	1

DC ELECTRICAL CHARACTERISTICS(0°C to 70°C or -40°C to +85°C; V_{CC}=4.5V to 5.5V)

PARAMETER	SYMBOL	MIN	TYP	MAX	UNITS	NOTES
Input Leakage	I _{LI}			1	μA	10
I/O Leakage	I _{LO}			1	μA	11
Logic 0 Output	V _{OL}			0.4	V	2
Active Supply Current	I _{CCA}			1.5	mA	9
Standby Current	I _{CCS}			200	μA	3
Battery Current (OSC ON); SQW/OUT OFF	I _{BAT1}		300	500	nA	4
Battery Current (OSC ON); SQW/OUT ON (32 kHz)	I _{BAT2}		480	800	nA	4

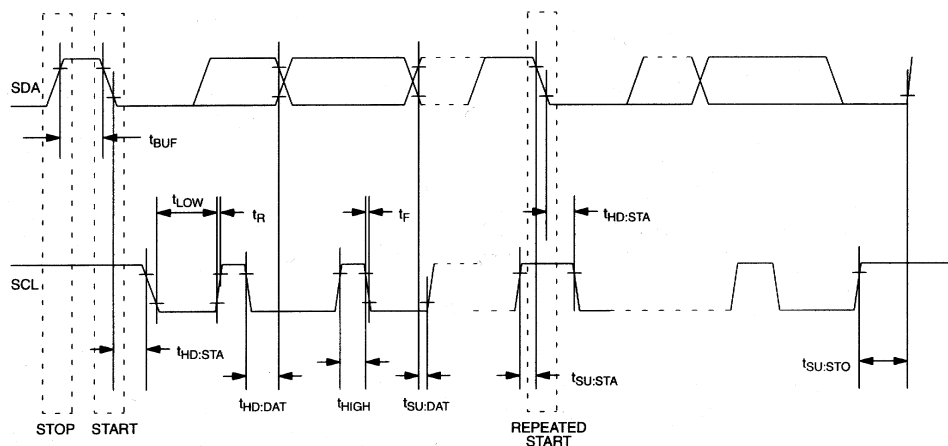
AC ELECTRICAL CHARACTERISTICS(0°C to 70°C or -40°C to +85°C; $V_{CC}=4.5V$ to 5.5V)

PARAMETER	SYMBOL	MIN	TYP	MAX	UNITS	NOTES
SCL Clock Frequency	f_{SCL}	0		100	kHz	
Bus Free Time Between a STOP and START Condition	t_{BUF}	4.7			μs	
Hold Time (Repeated) START Condition	$t_{HD:STA}$	4.0			μs	5
LOW Period of SCL Clock	t_{LOW}	4.7			μs	
HIGH Period of SCL Clock	t_{HIGH}	4.0			μs	
Set-up Time for a Repeated START Condition	$t_{SU:STA}$	4.7			μs	
Data Hold Time	$t_{HD:DAT}$	0			μs	6, 7
Data Set-up Time	$t_{SU:DAT}$	250			ns	
Rise Time of Both SDA and SCL Signals	t_R			1000	ns	
Fall Time of Both SDA and SCL Signals	t_F			300	ns	
Set-up Time for STOP Condition	$t_{SU:STO}$	4.7			μs	
Capacitive Load for each Bus Line	C_B			400	pF	8
I/O Capacitance	$C_{I/O}$		10		pF	
Crystal Specified Load Capacitance			12.5		pF	

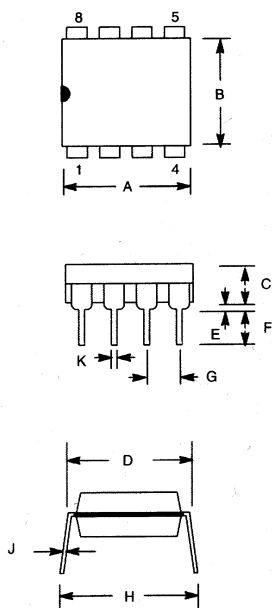
NOTES:

- All voltages are referenced to ground.
- Logic zero voltages are specified at a sink current of 5 mA at $V_{CC}=4.5V$, $V_{OL}=GND$ for capacitive loads.
- I_{CCS} specified with $V_{CC}=5.0V$ and SDA, SCL=5.0V.
- $V_{CC}=0V$, $V_{BAT}=3V$.
- After this period, the first clock pulse is generated.
- A device must internally provide a hold time of at least 300 ns for the SDA signal (referred to the V_{IHMIN} of the SCL signal) in order to bridge the undefined region of the falling edge of SCL.
- The maximum $t_{HD:DAT}$ has only to be met if the device does not stretch the LOW period (t_{LOW}) of the SCL signal.
- C_B - total capacitance of one bus line in pF.
- I_{CCA} - SCL clocking at max frequency = 100 kHz.
- SCL only.
- SDA and SQW/OUT

TIMING DIAGRAM Figure 8

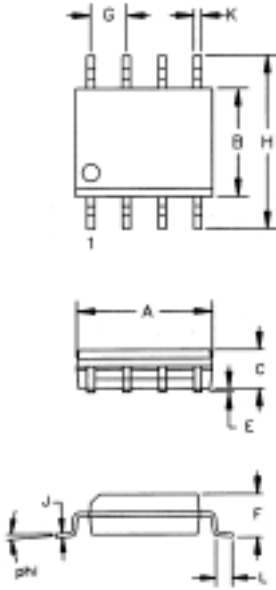


DS1307 64 X 8 SERIAL REAL TIME CLOCK 8-PIN DIP MECHANICAL DIMENSIONS



PKG DIM	8-PIN	
	MIN	MAX
A IN.	0.360	0.400
MM	9.14	10.16
B IN.	0.240	0.260
MM	6.10	6.60
C IN.	0.120	0.140
MM	3.05	3.56
D IN.	0.300	0.325
MM	7.62	8.26
E IN.	0.015	0.040
MM	0.38	1.02
F IN.	0.120	0.140
MM	3.04	3.56
G IN.	0.090	0.110
MM	2.29	2.79
H IN.	0.320	0.370
MM	8.13	9.40
J IN.	0.008	0.012
MM	0.20	0.30
K IN.	0.015	0.021
MM	0.38	0.53

DS1307Z 64 X 8 SERIAL REAL TIME CLOCK 8-PIN SOIC (150-MIL) MECHANICAL DIMENSIONS



PKG	8-PIN (150 MIL)	
	DIM	MIN
A IN.	0.188	0.196
MM	4.78	4.98
B IN.	0.150	0.158
MM	3.81	4.01
C IN.	0.048	0.062
MM	1.22	1.57
E IN.	0.004	0.010
MM	0.10	0.25
F IN.	0.053	0.069
MM	1.35	1.75
G IN.	0.050 BSC	
MM	1.27 BSC	
H IN.	0.230	0.244
MM	5.84	6.20
J IN.	0.007	0.011
MM	0.18	0.28
K IN.	0.012	0.020
MM	0.30	0.51
L IN.	0.016	0.050
MM	0.41	1.27
phi	0°	8°

56-G2008-001