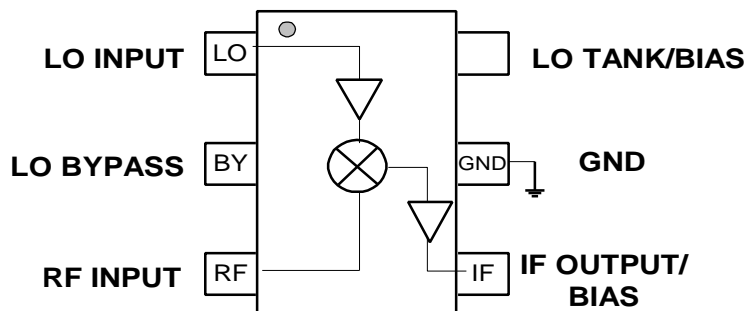


Block Diagram



Product Description

The TQ5M44 is a RFIC downconverter designed for FLEX™ and ReFLEX™ paging and mobile applications. The TQ5M44 is intended for use in the Motorola Flex chipset. The integrated circuit operates at low voltage (1V).

Absolute Maximum Ratings

Parameter	Min	Max	Units
DC Power Supply	0.90		V
Power Dissipation		100	mW
Operating Temperature	-40	+85	C
Storage Temperature	-55	+85	C
Signal Level on Inputs/Outputs		+20	dBm
Voltage to any Non-Supply Pin	-0.3	VDD+0.3	V

Motorola, FLEX, and ReFLEX are trademarks of Motorola, Inc.

TQ5M44

RF Mixer IC

Features

- Single 1V operation
- Low Current Operation
- Few external components
- High IP3
- Broadband Performance
- Small SOT 23-6 Plastic Package

Applications

- FLEX[®] wireless applications
- ReFLEX[®] wireless applications

TQ5M44

VHF Band

Electrical Specifications: Devices screened to the following test conditions

Test Conditions: $V_{DD} = 1.0\text{ V}$, $T_A = 25^\circ\text{C}$ $R_F = 132\text{-}174\text{MHz}$, $L_O = 114.1 - 156.1\text{MHz}$, $I_F = 17.9\text{MHz}$,
 $L_O = -20\text{dBm Input}$

Parameter	Min	Typ	Max	Units
Conversion Gain	7			dB
LO Buffer Current	250			μA
IF Buffer Current	500			μA
Total Supply Current	750		1000	μA