

# MODULAR CONNECTORS

CL 222 TM

## Plug for copper foil, stranded wire flat type cable

### ● Material · Finish

Part name	Material	Finish
Plug case	Polycarbonate	Clear
Terminal	Phosphor Bronze	Gold plate

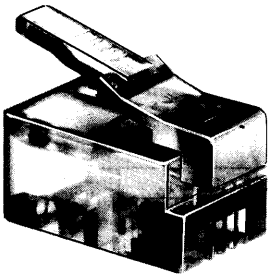
Applicable Cable	
Conductor diameter	Copper foil or AWG #26 $\phi$ 0.9- $\phi$ 1.0
Insulator diameter	Less than 0.96 $\phi$

### ● Electrical Performance

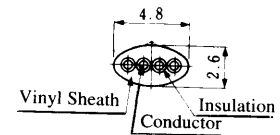
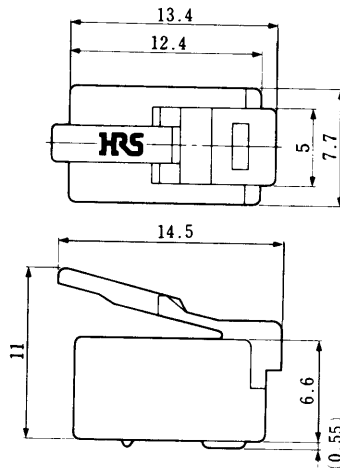
Description	Condition	Specification
Current Capacity	Per pin	0.5A
Rated Voltage	Per pin	125V AC
Insulation Resistance	At DC 100V	100 M $\Omega$ Min.
Withstand Voltage	For 1 minute	AC 500V r.m.s

### ● TM3P-44P

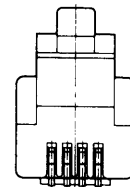
CL222-0207-2



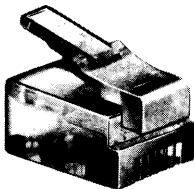
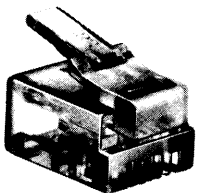
(Packing unit: 100 Pcs.)



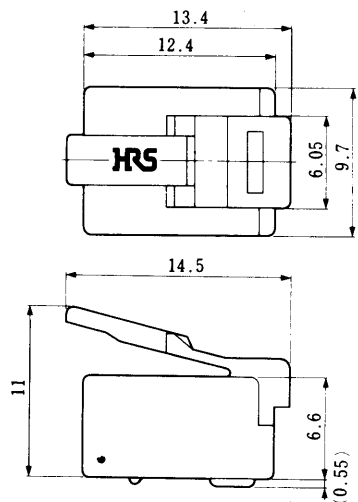
Applicable cable section



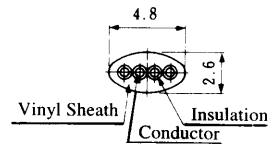
### ● TM3P-62P, 64P & 66P



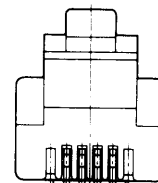
(Packing unit: 100 Pcs.)



HRS No.	Part No.	No. of pin
CL222-0278-0	TM3P-62P	62
CL222-0208-5	TM3P-64P	64
CL222-0209-8	TM3P-66P	66

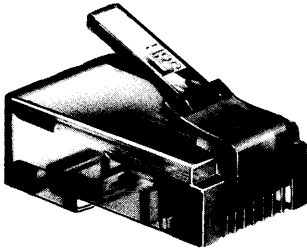


Applicable cable section

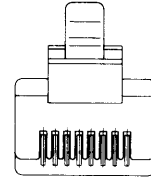
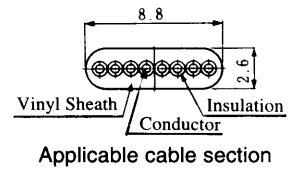
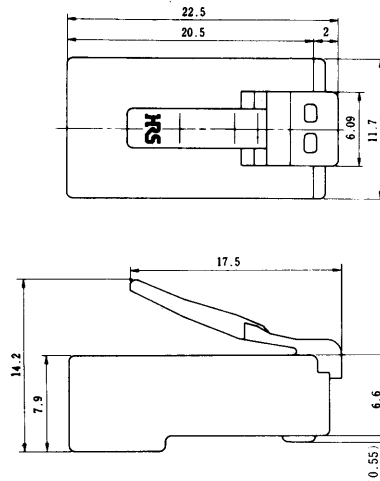


Note: Figure is shown TM3P-64P.

● **TM8P-88P**  
CL222-1817-9



(Packing unit: 100 Pcs.)



### Plug for copper foil, stranded wire circular type cable

● **Material · Finish**

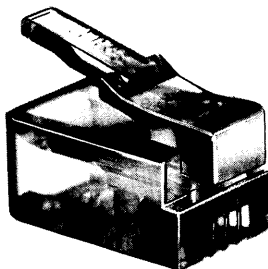
Part name	Material	Finish
Plug case	Polycarbonate	Clear
Terminal	Phosphor Bronze	Gold plate

Applicable Cable	
Conductor diameter	Copper foil or AWG #26 $\phi$ 0.9- $\phi$ 1.0
Insulator diameter	Less than 0.96 $\phi$

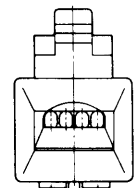
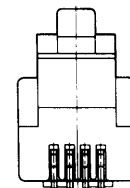
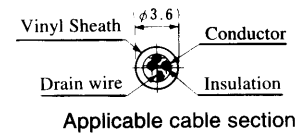
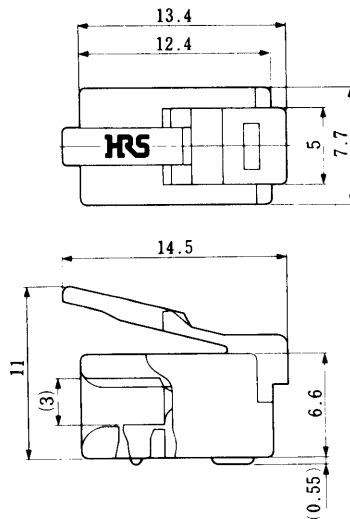
● **Electrical Performance**

Description	Condition	Specification
Current Capacity	Per pin	0.5A
Rated Voltage	Per pin	125V AC
Insulation Resistance	At DC 100V	100M $\Omega$ Min
Withstand Voltage	For 1 minute	AC 500V r.m.s

● **TM4P-44P**  
CL222-0279-3



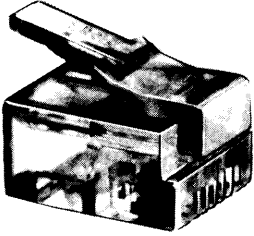
(Packing unit: 100 Pcs.)



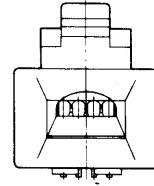
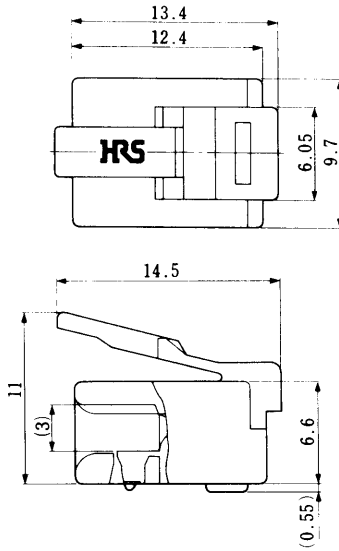
# MODULAR CONNECTORS

CL 222 TM

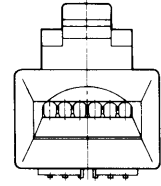
● TM4P-64P & 66P



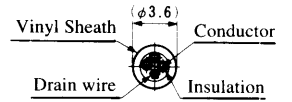
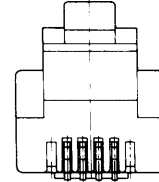
(Packing unit: 100 Pcs.)



CL222-0280-2  
TM4P-64P



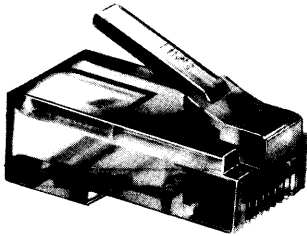
CL222-0281-5  
TM4P-66P



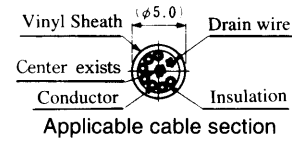
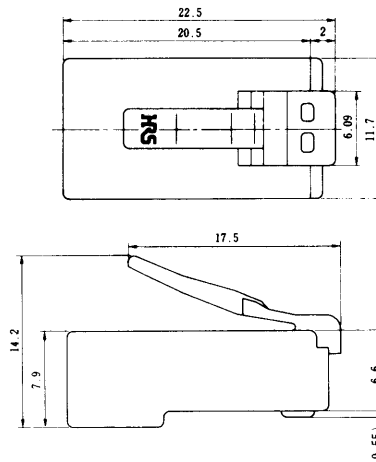
Applicable cable section

Note: Figure is shown TM4P-64P.

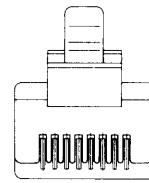
● TM10P-88P  
CL222-1818-1



(Packing unit: 100 Pcs.)



Applicable cable section



Form line plate

# MODULAR CONNECTORS

CL 222 TM

## Plug for Solid Wire Cable

### ● Material · Finish

Part name	Material	Finish
Plug case	Polycarbonate	Clear
Terminal	Phosphor Bronze	Gold plate

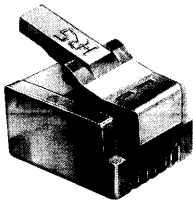
Applicable Cable	
Conductor diameter	0.4 φ ~ 0.65 φ ※
Insulator diameter	Less than 0.96 φ

※ In case of use 0.65 φ, not to be connected fully for 6 pins and 8 pins depend on size of insulator diameter.

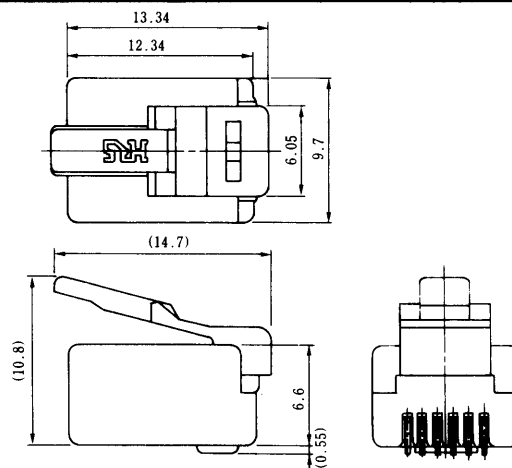
### ● Electrical Performance

Description	Condition	Specification
Current Capacity	Per pin	0.5A
Rated Voltage	Per pin	AC 30V
Insulation Resistance	At DC 100V	100 M Ω Min.
Withstand Voltage	For 1 minute	AC 500V r.m.s

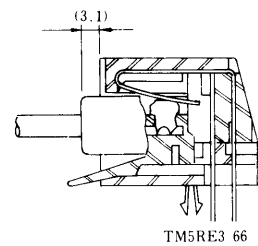
### ● Plug 6 Pins type



CL222-2275-3  
TM20P-66P

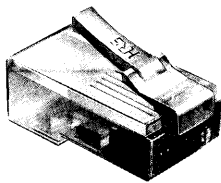


### Mating Condition Figure

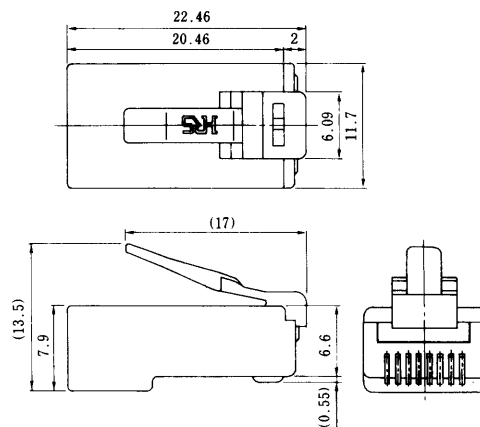


(Packing unit: 100 Pcs.)

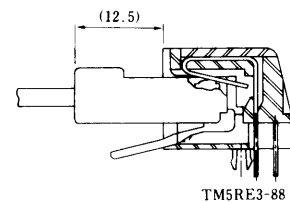
### ● Plug 8 Pins type



CL222-2217-7  
TM20P-88P

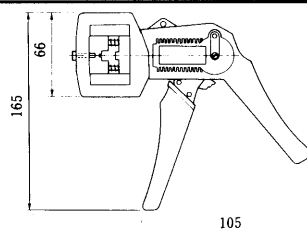
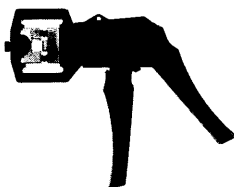


### Mating Condition Figure



(Packing unit: 100 Pcs.)

## Exclusive Hand Tool for Connection



HRS No.	Part No.	Applicable Connector
250-0037-3	TC1-TM20P-66P	TM20P-66P
250-0036-0	TC1-TM20P-88P	TM20P-88P

# MODULAR CONNECTORS

CL 222 TM

## Plug for Thin Wire Cable

### ● Material · Finish

Part name	Material	Finish
Plug case	Polycarbonate	6 Pins Clear blue
	Resin ※	8 Pins Clear
Terminal	Phosphor Bronze	Gold plate

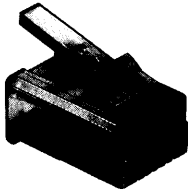
※ UL94V-0

### ● Electrical Performance

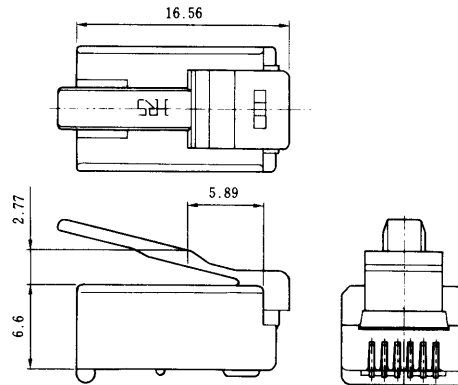
Description	Condition	Specification
Current Capacity	Per pin	0.5A
Rated Voltage	Per pin	AC 125V
Insulation Resistance	At DC 100V	100 M $\Omega$ Min.
Withstand Voltage	For 1 minute	AC 500V r.m.s

Applicable Cable	
Conductor diameter	AWG#28(7/0.127)
Insulator diameter	Less than 0.787 $\phi$

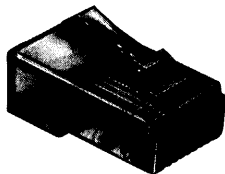
### ● Plug 6 Pins type



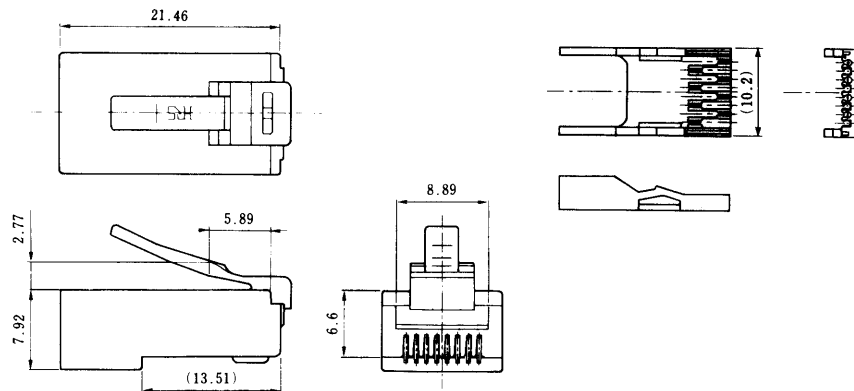
CL222-2684-2  
TM30P-66P



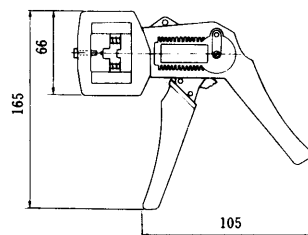
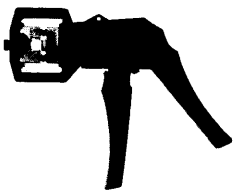
### ● Plug 8 Pins type



CL222-2685-5  
TM30P-88P



## Exclusive Hand Tool for Connection



HRS No.	Part No.	Applicable Connector
250-0145-6	TC1-TM30P-66P	TM30P-66P
250-0146-9	TC1-TM30P-88P	TM30P-88P