

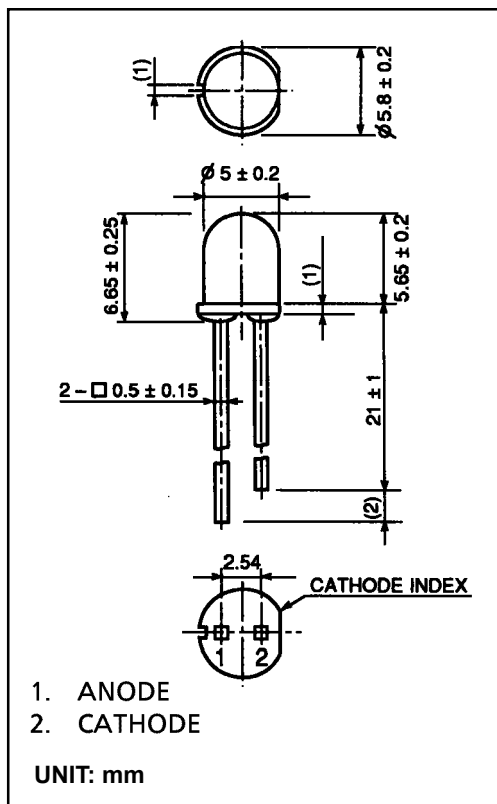
TLYE263AP

Product Features -

- InGaAlP Technology
- T-1¾ Low Profile Package
- High Intensity Yellow Light ($\lambda_p = 590\text{nm}$) Emission
- Water Clear Lens

MAXIMUM RATINGS (Ta = 25°C)

CHARACTERISTIC	SYMBOL	RATING	UNIT
Forward Current	I_F	50	mA
Reverse Voltage	V_R	4	V
Power Dissipation	P_D	125	mW
Operating Temperature	T_{opr}	-30 ~ 85	°C
Storage Temperature	T_{stg}	-40 ~ 120	°C



OPTO-ELECTRICAL CHARACTERISTICS (Ta = 25°C)

CHARACTERISTIC	SYMBOL	TEST CONDITION	MIN.	TYP.	MAX.	UNIT
Forward Voltage	V_F	IF = 20mA	—	2.1	2.5	V
Reverse Current	I_R	VR = 4V	—	—	50	µA
Luminous Intensity	I_v	IF = 20mA	45	150	—	mcd
Viewing Angle	$2\theta_{1/2}$	—	—	100	—	°
Peak Wavelength	λ_p	IF = 20mA	—	590	—	nm
Dominant Wavelength	λ_d	IF = 20mA	—	587	—	nm
Spectral Line Half Width	$\Delta\lambda$	IF = 20mA	—	13	—	nm

* Luminous Ranks: (M : 56-112mcd), (N : 100-200mcd), (P : 180-360mcd) Upper and lower limit tolerance $\pm 15\%$
Available in One Bin Combination: (MN)

TLYE263AP Graphs -

