

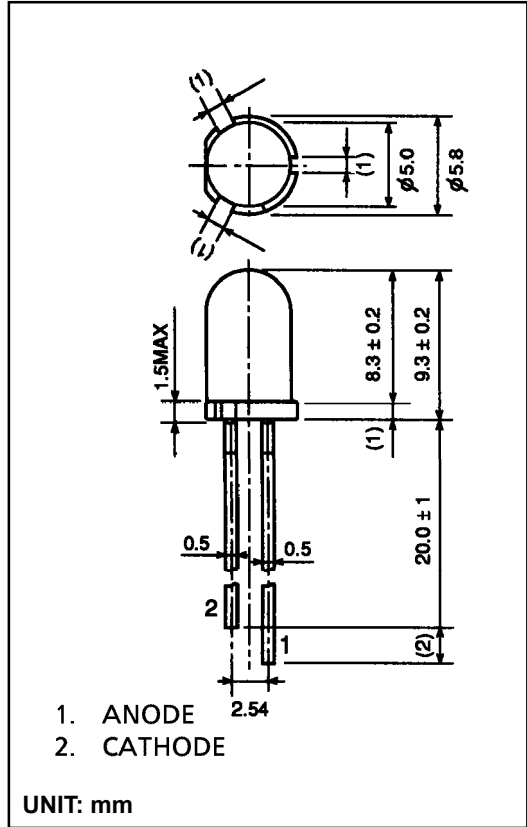
# TLYE157AP

## Product Features -

- InGaAlP Technology
- T-1¾ (5 mm) Package
- High Intensity Yellow Light ( $\lambda_p = 590$  nm) Emission
- Water Clear Lens
- Narrow Radiation Pattern

### MAXIMUM RATINGS (Ta = 25°C)

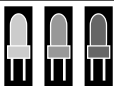
CHARACTERISTIC	SYMBOL	RATING	UNIT
Forward Current	$I_F$	50	mA
Reverse Voltage	$V_R$	4	V
Power Dissipation	$P_D$	125	mW
Operating Temperature	$T_{opr}$	-30 ~ 85	°C
Storage Temperature	$T_{stg}$	-40 ~ 120	°C



### OPTO-ELECTRICAL CHARACTERISTICS (Ta = 25°C)

CHARACTERISTIC	SYMBOL	TEST CONDITION	MIN.	TYP.	MAX.	UNIT
Forward Voltage	$V_F$	IF = 20mA	—	2.1	2.5	V
Reverse Current	$I_R$	VR = 4V	—	—	50	µA
Luminous Intensity*	$I_V$	IF = 20mA	475	1400	—	mcd
Viewing Angle	$2\theta_{1/2}$	—	—	22	—	°
Peak Wavelength	$\lambda_p$	IF = 20mA	—	590	—	nm
Dominant Wavelength	$\lambda_d$	IF = 20mA	—	587	—	nm
Spectral Line Half Width	$\Delta\lambda$	IF = 20mA	—	13	—	nm

\* Luminous Ranks: (R : 560-1120mcd), (S : 1000-2000mcd), (T : 1800-3600mcd) Upper and lower limit tolerance ±15%  
Available in Two Bin Combinations: (RS), (ST)



**marktech**  
**optoelectronics**

120 Broadway • Menands, New York 12204

Toll Free: (800) 98-4LEDS • Fax: (518) 432-7454

## TLYE157AP Graphs -

