

FEATURES

- Inputs run length coded transform data
- Outputs 8 bit pixels in YUV block format
- Up to full CIF resolution and 30 Hz frame rates
- Supports motion compensation with up to 15 pixel movement
- On chip frame store controller
- 100 pin QFP package

ASSOCIATED PRODUCTS

- VP510 Colour Space Converter
- VP520S Three Channel Video Filter
- VP2611 Integrated H261 Encoder
- VP2612 Video Multiplexer
- VP2614 Video Demultiplexer

DESCRIPTION

The VP2615 decoder forms part of a chip set for use in video conferencing and video telephony applications. It conforms to the CCITT H261 standard, and will decode data coded with full or quarter CIF resolution at frame rates up to 30 Hz.

It accepts run length coded coefficients which have already been error corrected and Huffman decoded, and produces multiplexed YUV data in macro block format after a pipeline delay of two MacroBlocks. As shown in Figure 1, other devices in the chip set then convert this data into full resolution, component or composite, video.

The incoming run length coded data is converted to individual coefficient values in the correct order. Data reconstruction is then performed on a block by block basis by multiplying the quantized coefficients with the original quantization value, and then applying the inverse cosine transform. In the inter frame mode this data is then added to the motion compensated block from the previous frame. This block can be passed through a low pass filter when required. A frame store controller produces addresses which allow the best fit block to be read from the frame store, and which also allow the store to be updated with reconstructed data. Refresh cycles are generated when necessary.

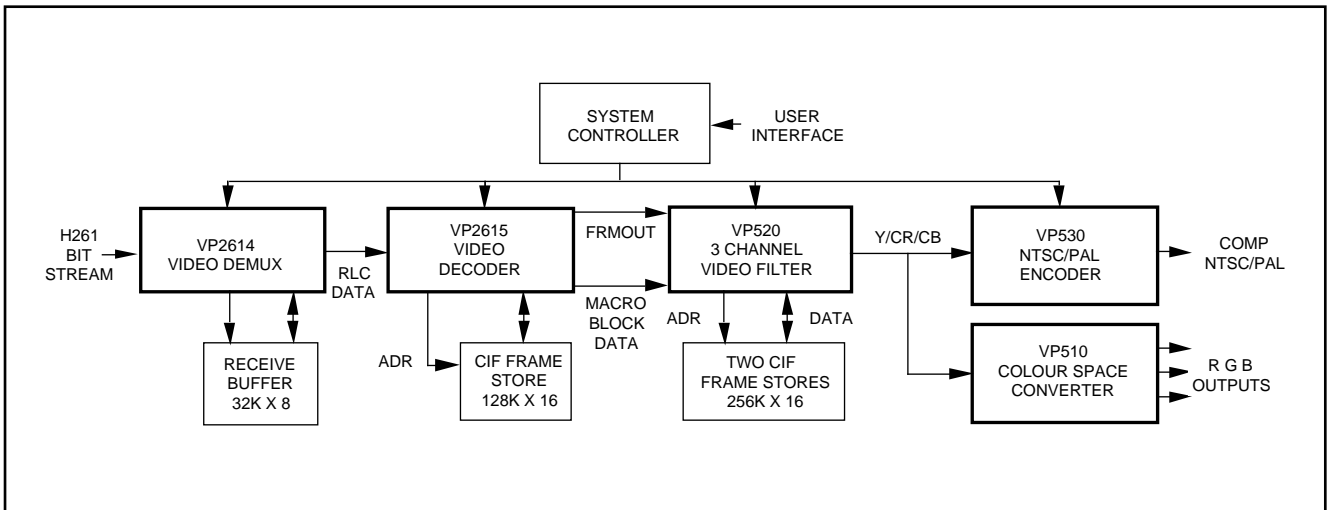


Fig 1 : Typical Video Conferencing Receiver

VP2615

PIN DESCRIPTIONS

<p>DIN7:0 This port is used to input quantised transform data and control information. Its function is determined by DMODE3:0. Data is clocked in on the rising edge of DCLK.</p> <p>DMODE3:0 This input controls the function of DIN7:0. Data is clocked in on the rising edge of DCLK.</p> <p>DCLK This signal is used to strobe in data at the DIN and DMODE inputs. DCLK can effectively be disabled by inputting a WAIT STATE on DMODE. DCLK must be derived by dividing SYSCLK with an integer greater than one.</p> <p>YUV7:0 This bus outputs pixel data in YUV block format at quarter SYSCLK frequency.</p> <p>VPIX This synchronous output pulses high for two SYSCLK periods when valid pixel data appears at the YUV port. It remains low when inactive.</p> <p>MBOUT This synchronous output goes high on the first cycle of a new MacroBlock and stays high until the final pixel of that MacroBlock has been output. At the end of the MacroBlock MBOUT goes low until a new MacroBlock begins.</p> <p>FRMOUT This synchronous output goes high to indicate a new Frame is about to begin at the YUV port. It remains high till the last pixel is output. Then, FRMOUT goes low until a new Frame starts.</p> <p>FS15:0 Data bus for reading and writing to the external DRAM frame store.</p> <p>ADR7:0 Address bus controlling the external DRAM frame store.</p> <p>RAS Row Address Strobe controlling the external DRAM frame store.</p> <p>CAS Column address strobe controlling the external DRAM frame store.</p>	<p>RW1 Read/Write control for the external DRAM 1.</p> <p>RW2 Read/Write control for the external DRAM 2.</p> <p>OE1 Output Enable control for external DRAM 1 or ADR8 if 256K DRAM's in use.</p> <p>OE2 Output Enable control for external DRAM 2 N/C if 256k DRAMs in use.</p> <p>CBUS7:0 Bi-directional data bus for use by a microprocessor. Data and instructions are clocked on and off the chip on the rising edge of CSTR.</p> <p>CSTR This input strobes the data in and out of the CBUS port.</p> <p>CEN When this pin is low the CBUS port can be used to input or output data.</p> <p>CADR When high this signal defines CBUS as data, and when low as an instruction.</p> <p>SYSCLK System clock, run at 27MHz maximum. SYSCLK must remain high for 35% to 65% of each cycle. All internal clocks are derived from this clock.</p> <p>RESET Active low reset. Must be held low for at least 2048 cycles on power up. If RESET is used during operation, all previous frame data will be lost.</p> <p>TCK Test clock for JTAG</p> <p>TMS Test mode select for JTAG (Internally pulled high).</p> <p>TRST JTAG reset pin (Internally pulled high).</p> <p>TDI Input JTAG test data (Internally pulled high).</p> <p>TDO Output JTAG test data.</p>
---	--

NOTE:

"Barred" active low signals do not appear with a bar in the main body of the text.

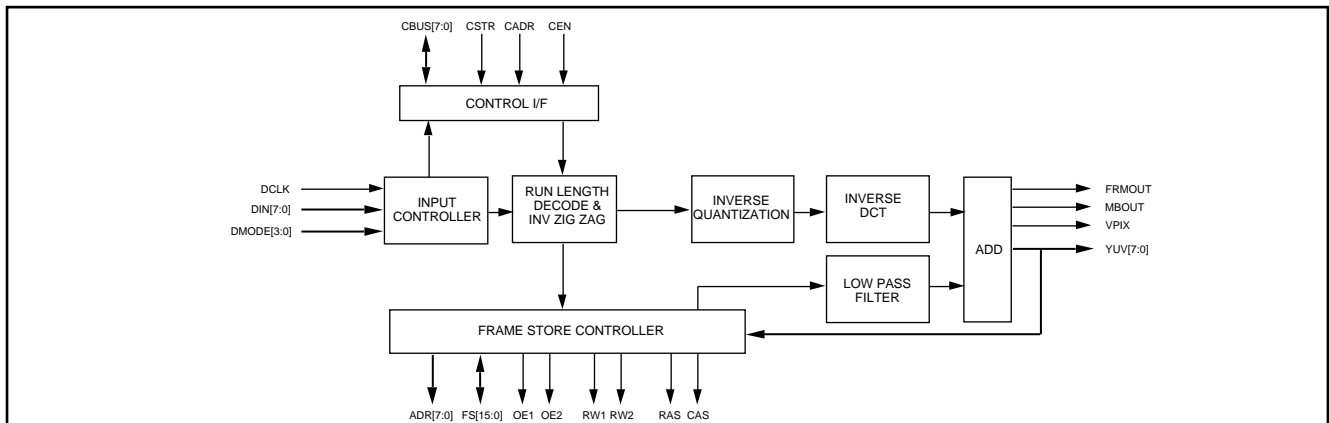


Fig 2 : Simplified Block Diagram

OPERATION OF MAJOR BLOCKS

Run Length Decode

This block converts the run length coded data into 64 individual coefficient values, inserting zero value coefficients where required. It then re-orders these 8 bit quantized DCT coefficients from the zig zag arrangement into normal 8 x 8 format.

Inverse Quantise

This circuit reconstructs the 12 bit DCT coefficients from the 8 bit quantized coefficients using the 5 bit Quantization Value. This is performed using the following formulae.

If QUANT is odd :

$$REC = QUANT * (2 * LEVEL + 1) : LEVEL > 0$$

$$REC = QUANT * (2 * LEVEL - 1) : LEVEL < 0$$

If QUANT is even :

$$REC = QUANT * (2 * LEVEL + 1) - 1 : LEVEL > 0$$

$$REC = QUANT * (2 * LEVEL - 1) + 1 : LEVEL < 0$$

For Intra coded DC coefficients :

$$REC = 8 * LEVEL$$

except if LEVEL=255 when REC=1024

If LEVEL=0 then REC=0 in all cases.

The reconstructed values (REC) are passed through a clipping circuit in case of arithmetic overflow.

Inverse DCT

This circuit performs an Inverse Discrete Cosine Transform on an 8x8 block of 12 bit coefficients outputting 9 bit signed pixel data. This IDCT fully meets the CCITT specification.

Frame Store Interface

The whole of the previous picture is stored in either two external 64K x 16 DRAMs, or in a single 256 k x 16 DRAM, or in four 256K x 4 DRAM's. A bit in the user defined Input Set Up Data determines whether 64K or 256K DRAM's are to be used. In the latter case, use OE1 as ADR8, RW1 as R/W and do not connect RW2 and OE2. Table 1 specifies the worst case maximum and minimum times which must be achieved by the DRAM for correct operation with the VP2615. Times in the DRAM specification must be less than or equal to the times stated.

The Frame Store Interface manages all read and write operations to these DRAM's. During the course of each MacroBlock, the "Best Fit" MacroBlock is read from the DRAMs and the fully processed MacroBlock is written back. In this way, the previous frame is continually updated. The DRAM controller also takes care of refresh for the DRAMs.

Figure 3 illustrates the effects of the pipeline delays through the device; whilst macro block 3 is being input the previous macroblock (2) is being decoded and needs the equivalent macroblock from the previous frame to be read from the frame store. At the same time macroblock 1, which has already been decoded, is being written to the frame store

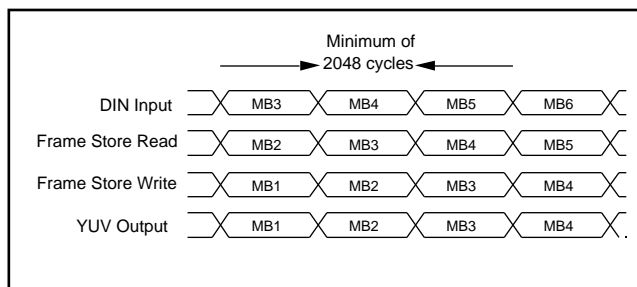


Fig 3 : MacroBlock Pipelining

SYMBOL	PARAMETER	MINIMUM	MAXIMUM
t RAC	Access time from RAS	-	105ns or under
t CAC	Access time from CAS	-	25ns or under
t RP	RAS precharge time	50ns or under	-
t CP	CAS precharge time	15ns or under	-
t RAS	RAS pulse width	90ns or under	-
t CAS	CAS pulse width	50ns or under	-
t REF	Time to refresh 256 rows	-	0.25ms or over

N.B. All times are quoted assuming 27MHz operation. For lower clock frequencies increase the above values proportionately.

Table 1. External DRAM Timing Requirements

VP2615

for use in the next frame and is also available on the output pins.

Loop Filter

The best matched block from the search window in the previous frame can be passed through a low pass filter to reduce block boundary effects. The filter uses a simple [1 2 1] characteristic in both horizontal and vertical dimensions as laid down in the H261 Specification, on the macroblock boundaries [010] is used. An instruction input at the DIN port defines whether the filter should be used or not.

Reconstruction Adder

In Inter Mode, the IDCT data is added to the best fit block from the previous frame store. In Intra Mode, the IDCT data is added to zero. After the adder, the sign bit is removed from the result to give 8 bit pixels. Clipping circuits ensure that any pixels with values exceeding 255 are clipped to 255 and any with negative values are clipped to zero (such values are possible due to quantization effects).

OPERATION OF INTERFACES

DIN Input Port

The DIN port provides a glueless interface to the VP2614 Video Demultiplexer, from which it will accept run length coded transform data and control information. The general purpose nature of the interface will, however, allow other sources of macroblock data to be used.

Data on the input bus is defined by means of the signals DMODE3:0, and is strobed in with the DCLK signal which is provided by the VP2614 and derived from SYCLK. Set up and hold times with respect to the rising edge of DCLK are given in Figure 4. If DCLK is a continuous strobe, then the WAIT state defined by DMODE 3:0 should be used to disable any clocking actions. If preferred DCLK can alternatively be

DMODE3:0	FUNCTION
0000	GOB Number
0001	MB Number
0010	Control Decisions
0011	Quant Value
0100	Horizontal MV
0101	Vertical MV
0110	Coded Blk Pattern
0111	Sub-Block No
1000	Zero Run Count
1001	RLC Coefficient
1010	Not used
1011	Not used
1100	Not used
1101	Not used
1110	Not used
1111	Wait State

Table 2 . DIN Mode Functions

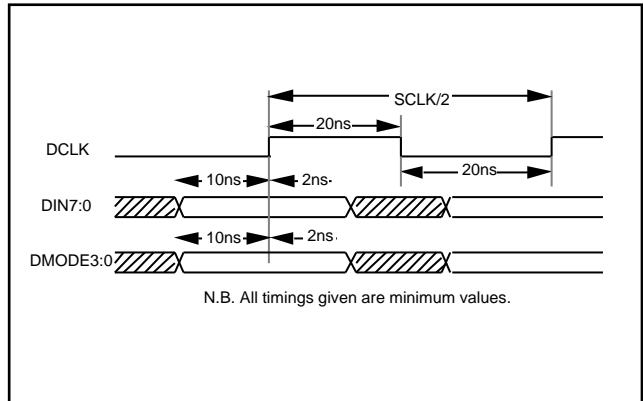


Fig 4 . DIN Port Timing

used as a strobe which is only present when data is valid and action is needed. In this case WAIT states are not strictly necessary.

The VP2615 always expects to receive a complete video frame of data, even if error conditions have occurred in the demultiplexer. Skip Picture or Fixed Macroblocks should be supplied if necessary once a frame has started. With the latter, decoded data from the previously stored frame will be produced by the VP2615.

The asynchronous interface will allow the use of other video de-multiplexers, as long as the protocol defined by DMODE3:0 is observed. This protocol is defined below, and summarized in Table 2.

Control Decisions : This byte must always be the first in the sequence since it resets the internal control logic. It defines which control decisions were taken when coding the forthcoming MacroBlock. A high on DIN 0 indicates a Fixed Macro Block (ie no change since the previous frame), and a high on DIN1 indicates that Inter coding was used. Similarly a high on DIN2 indicates that the MacroBlock was filtered, a high on DIN3 indicates that Motion Compensation was used. and a high on DIN6 indicates that SKIP PICTURE is in effect. In the latter case the VP2615 will cease processing until SKIP PICTURE is reversed by writing a new Control Decisions byte. Whilst SKIP PICTURE is active, no further data will be output from the YUV port. SKIP PICTURE effectively resets the VP2615, and the next MacroBlock input should be the first of a new frame. Since the frame store will not be updated then the system should ensure that an Intra coded picture is sent as soon as possible.

GOB Number: The correct GOB number is required for every macro block in that group. (DIN3 is MSB).

MB Number: Each macroblock in a group requires an identification number. (DIN5 is MSB).

Coded Blk Pattern: This byte is defined in the H.261 Specification and is used to indicate which sub blocks contain non zero coefficients. It is produced by the encoder but is not used by the VP2615, and if provided will be ignored. The sub block numbering sequence is actually used to indicate blocks with zero coefficients.

Quant Value: This input represents the quantization value

(between 2 and 62 with DIN4 as MSB), which has been used for this macroblock. If no new value is provided for a macroblock then the old value is re-used.

Horizontal MV: This input (on DIN4:0) represents the horizontal component of the motion vector. It must always be provided when motion compensated Inter coding is in use.

Vertical MV: This input (On DIN4:0) represents the vertical component of the the motion vector. It must always be provided when motion compensated Inter coding is in use.

Sub Blk No: Each macroBlock contains 6 Sub-blocks, numbered 1 through 6. The corresponding binary value should be provided on DIN2:0, before the RLC coefficients of that Sub-Block appear. If a Sub-Block contains no coefficients, then its number need not be provided at all, or it can be immediately followed by the next sub block number without any intermediate coefficient values. Even though zero valued sub blocks can simply be ignored in this way, a 2048 clock delay between new macroblocks must still be maintained by the video de-multiplexer.

Zero Run Count: The number of zero valued coefficients preceding the (non-zero) RLC coefficient is defined by this input. DIN 6 and 7 are not used, with the value between 0 and 63 defined by DIN5:0.

RLC Coefficient: This input defines the value of the run length coded coefficient. It will always be a non-zero value

Wait State: This mode should be used on any cycle where no data is being input at the DIN port. Wait States can be

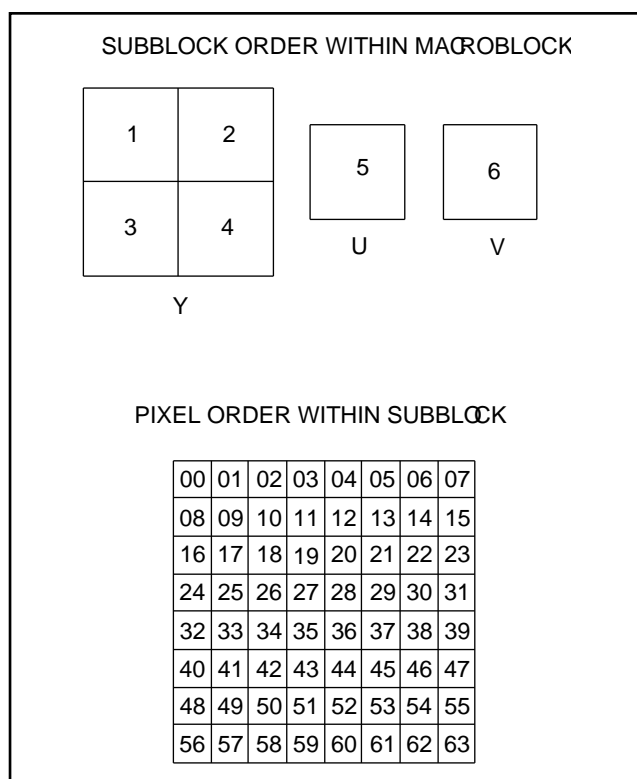


Fig 5 : Ordering of Pixels within MacroBlock

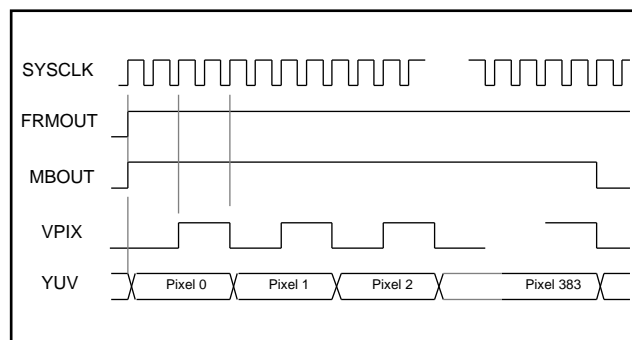


Fig 6 : YUV Port Timing

inserted between any other instructions as required.

Any undefined bits in the above descriptions may be made high or low as desired.

The first information supplied for a macroblock should be that contained within the Control Decisions byte. Receipt of this instruction resets the internal cycle counter for that MacroBlock. Although some Macro Blocks may contain no data, the VP2615 requires that at least the Control Decisions, GOB Number and Macro Block Number be supplied by the de-multiplexer (in that order). All other side information, which is to be provided for a non zero block, must then be supplied before any sub block data can be accepted. GOB's and Macroblocks must be supplied in the correct sequence, but sub blocks within a macroblock can be in any order. The VP2615 does not need to be explicitly informed that the last coefficient has been received within a sub-block. It will wait for a new sub-block number, or a new Macroblock Control Decision Byte, before processing the previous sub-block since it then knows that the sub block is complete.

At least 2048 SYSCLK cycles must separate the start of one Macro Block (identified by receipt of the Control Decisions byte) from the start of the following Macro Block. There are, however, no specific restrictions on the timing of Sub-Blocks within the MacroBlock. The minimum gap between incoming macroblocks is needed for internal processing and also for the time to output 384 decoded values at one quarter the SYSCLK frequency.

The VP2615 contains two complete macro block buffers in its input circuitry, which swap on the completion of the processing and outputting of the results. Whilst one is used internally the other can be loaded with a new macroblock. It essentially is a macroblock processor and produces the decoded outputs for a macroblock after two macroblock pipeline delays. When it is no longer supplied with macroblock inputs then the pipeline stalls and does not flush out. Thus two macroblocks from a new picture are needed to produce the decoded outputs from the last two macroblocks in a previous picture.

YUV Output Port

Decoded pixel data is presented at the YUV port in standard macroblock format at quarter SYSCLK frequency (6.75MHz max), and in the macroblock order presented at the input. Since the VP2615 always expects a complete picture's worth of GOB's and macroblocks (unless Skip Picture is sent by the video de-mux), then it will always produce a complete

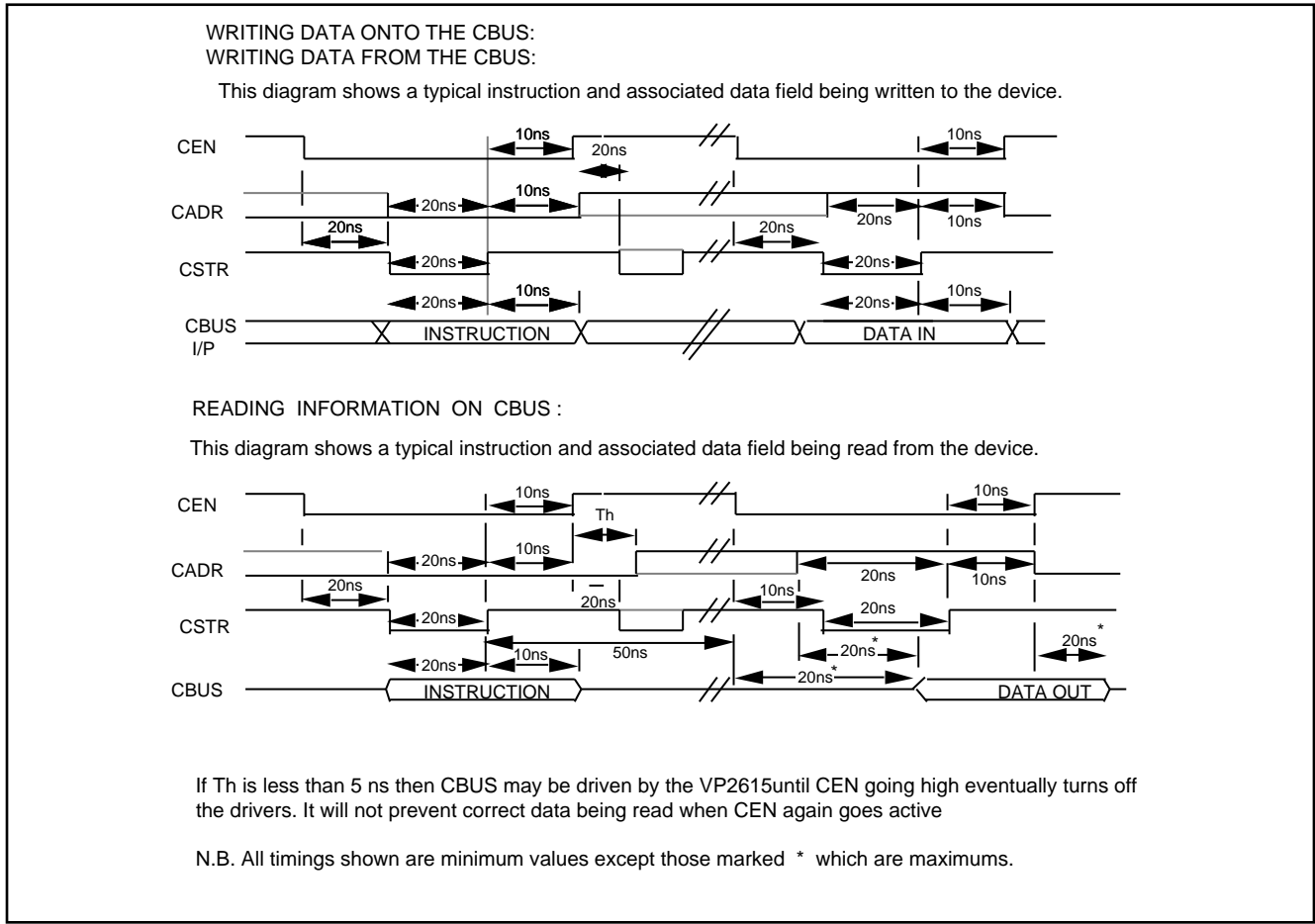


Fig 7 : CBUS Timing

coded picture. As explained in the previous section, however, it requires to be supplied with two macroblocks from the next picture before a complete frame is fully decoded. The standard macroblock internal configuration is shown in Figure 5.

Output timing is shown in Figure 6. VPIX is toggled high each time a valid pixel is available at the output pins, and remains low when no pixel data is output. MBOU is used to define the boundaries between MacroBlocks, but is not used when the device is directly connected to the VP520. The Frame Ready Output nominally goes high on the same SYSCLK edge as the first MBOU goes high, and returns low when the last MBOU goes low. This will actually be after two macroblocks from the next frame have been supplied as inputs, but this gap will not effect the operation of the VP520 which converts macro block data to full resolution line data. The first VPIX strobe produced after MBOU goes high, will go high after two SYSCLK periods, with the data being valid for two SYSCLK periods either side of this edge. These delays are

subject to internal differential delays and will not be precise clock period delays.

CBUS Control Port

The CBUS control port is used to input control and setup information and also to output status information. In order to save on pin count, a microprocessor driving this port is required to execute two I/O instructions in order to transfer a single byte of information to or from the device. The first transfer is always a write operation, with a low level on the single address line which is used by the interface. Data on the bus then defines the instructions listed in Table 3. The second transfer can be a read or write operation as necessary, but the address line must then be high with the set up time given in Figure 7.

In addition to the single address line (CADR), data transfers use a control strobe (CSTR) which is only effective

CBUS3:0	INSTRUCTION
0000	Unassigned
0001	Unassigned
0010	Unassigned
0011	Unassigned
0100	Input Setup Data
0101	Unassigned
0110	Reserved
0111	Reserved
1000	Output GOB Number
1001	Output MB Number
1010	Unassigned
1011	Output Control Decisions
1100	Output Setup Data
1101	Unassigned
1110	Unassigned
1111	Override internal clock doubler

Table 3: CBUS Instructions

when a chip enable is present (CEN). Detailed timing information is given in Figure 7, and when writing data or instructions to the VP2615 the set up and hold times which are referenced to the rising edge of CSTR must be maintained.

When a write instruction has been defined CADR should be pulled high, valid data presented to CBUS7:0 and then strobed in using CSTR. Other system I/O transfers can occur between defining a write operation and supplying the data to be written, assuming CEN is not active during those other transfers. If CSTR does not go active because of I/O transfers to other devices, then CEN can remain active low between the instruction and data.

When a read instruction has been specified the requested data will then be output on CBUS7:0 after the access time specified from CEN going low, assuming that CADR was already high. Otherwise the data will become valid after the access time specified from CADR going high after CEN was low. Note that in the data read phase CADR must always go high before CSTR goes high, with the set up time specified. When CEN goes high, or CADR goes low, the CBUS will go high impedance after the delay specified.

Note that the access times under the conditions given above are only true when the gap between CSTR going high in the instruction phase, and CEN going low in the data phase, is greater than the minimum specified in figure 7.

Only CBUS3:0 are used to define an instruction. The remaining bits, CBUS7:4, should be pulled low. The instructions are listed in Table 3 but are described below in greater detail;

Input Setup Data: This instruction performs several functions, the details being specified in the data field following this instruction. If CBUS0 is high, the device will operate in QCIF mode, otherwise in full CIF mode. If CBUS6 is high, then the device will be configured to use 256K word DRAM's, otherwise it will assume two 64K word DRAM's.

All CBUS inputs not defined above must be pulled low during the set up definition phase and the D/R7:0 bus must not be active. On reset the defaults are 64k DRAMs and full CIF mode. Note that if macroblocks have been received, and a CIF/QCIF mode change is made, then a reset is needed. At the the system level the EVT signal from the de-mux can be used to instigate the controller into reading PTYPE, thus detecting a CIF/QCIF change and forcing a software reset.

Output GOB number: This instruction will make the VP2615 output the GOB Number associated with the data currently being output at the YUV port. The number will appear on CBUS3:0. CBUS7:4 are not used (always low).

Output MB Number: This instruction will make the VP2615 output the Macroblock Number associated with the data currently being output at the YUV port. The number will appear on CBUS5:0. If CBUS6 is low, this indicates that the MacroBlock number has just changed or is about to change, and is thus not reliable.

Output Control Decisions : This instruction will make the VP2615 output control information received through the DIN port. CBUS0 shows whether the MacroBlock currently being output was Inter or Intra coded (0=Intra). CBUS1 shows whether Motion Compensation was used (1=MC used). CBUS3 will be high if the MacroBlock was passed through the Loop Filter. If CBUS6 is high, this indicates that SKIP PICTURE is currently active.

JTAG Test Interface

The VP2615 includes a test interface consisting of a boundary scan loop of test registers placed between the pads and the core of the chip. The control of this loop is fully JTAG/IEEE 1149-1 1990 compatible. Please refer to this document for a full description of the standard.

The interface has five dedicated pins: TMS, TDI, TDO, TCK and TRST. The TRST pin is an independent reset for the interface controller and should be pulsed low, soon after power up; if the JTAG interface is not to be used it can be tied low permanently. The TDI pin is the input for shifting in serial instruction and test data; TDO the output for test data. The TCK pin is the independent clock for the test interface and registers, and TMS the mode select signal.

TDI and TMS are clocked in on the rising edge of TCK, and all output transitions on TDO happen on its falling edge.

Instructions are clocked into the 8 bit instruction register (no parity bit) and the following instructions are available.

Instruction Register (MSB first)	Name
11111111	BYPASS
00000000	EXTTEST (No inversion)
01000000	INTEST
XX001011	SAMPLE/PRELOAD

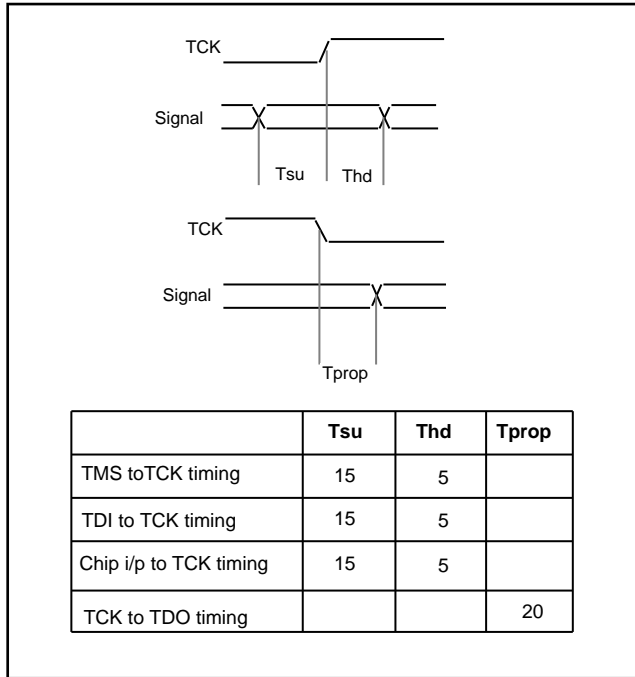


Fig 8. Typical JTAG Interface timing

Timing details (minimums) for the JTAG control signals are shown in Figure 8. The maximum TCK frequency is 5 MHz.

The positions of the test registers in the boundary loop, and their corresponding functional names, are detailed in Table 4. Note that any internal signals controlling the impedance of a bus also have associated registers, even though they are not normally available to the user. These are listed as TRI in Table 4. This register order will determine the serial data stream for JTAG testing. The signal DHZ will, if loaded with a logic '1', force all the outputs to a high impedance state.

All bus output enables are invoked through the INTEST instruction.

PAD	TYPE	REG NO	PAD	TYPE	REG NO
DHZ	TRI	93	FS10	IN	46
CADR	IN	92	FS10	OUT	45
CEN	IN	91	FS9	IN	44
CSTR	IN	90	FS9	OUT	43
CBUS0	OP	89	FS8	IN	42
CBUS0	TRI	88	FS8	OUT	41
CBUS0	IP	87	FS7	IN	40
CBUS1	OUT	86	FS7	OUT	39
CBUS1	IN	85	FS6	IN	38
CBUS2	OUT	84	FS6	OUT	37
CBUS2	IN	83	FS5	IN	36
CBUS3	OUT	82	FS5	OUT	35
CBUS3	IN	81	FS4	IN	34
SYSCLK	IN	80	FS4	OUT	33
CBUS4	OUT	79	FS3	IN	32
CBUS4	IN	78	FS3	OUT	31
CBUS5	OUT	77	FS2	IN	30
CBUS5	IN	76	FS2	OUT	29
CBUS6	OUT	75	FS1	IN	28
CBUS6	IN	74	FS1	OUT	27
CBUS7	OUT	73	FS0	IN	26
CBUS7	IN	72	FS0	OUT	25
DMODE0	IN	71	ADR7	OUT	24
DMODE1	IN	70	ADR6	OUT	23
RESET	IN	69	ADR5	OUT	22
DCLK	IN	68	ADR4	OUT	21
DMODE2	IN	67	ADR3	OUT	20
DMODE3	IN	66	ADR2	OUT	19
DIN0	IN	65	ADR1	OUT	18
DIN1	IN	64	ADR0	OUT	17
DIN2	IN	63	RW1	OUT	16
DIN3	IN	62	RW2	OUT	15
DIN4	IN	61	DE1	OUT	14
DIN5	IN	60	DE2	OUT	13
DIN6	IN	59	RAS	OUT	12
DIN7	IN	58	CAS	OUT	11
FS15	IN	57	MBOUT	OUT	10
FS	TRI	56	FRMOUT	OUT	9
FS15	OUT	55	VPIX	OUT	8
FS14	IN	54	YUV0	OUT	7
FS14	OUT	53	YUV1	OUT	6
FS13	IN	52	YUV2	OUT	5
FS13	OUT	51	YUV3	OUT	4
FS12	IN	50	YUV4	OUT	3
FS12	OUT	49	YUV5	OUT	2
FS11	IN	48	YUV6	OUT	1
FS11	OUT	47	YUV7	OUT	0

Table 4. Pin and JTAG Test Registers

1	GND	21	DIN7	41	CBUS6	61	TRST	81	RAS
2	N/C	22	DIN6	42	CBUS5	62	TD0	82	OE2
3	FS3	23	DIN5	43	CBUS4	63	YUV7	83	OE1
4	FS4	24	DIN4	44	VDD	64	YUV6	84	GND
5	GND	25	VDD	45	SYSCLK	65	VDD	85	RW2
6	FS5	26	DIN3	46	GND	66	YUV5	86	VDD
7	FS6	27	DIN2	47	CBUS3	67	GND	87	RW1
8	VDD	28	DIN1	48	CBUS2	68	YUV4	88	ADR0
9	FS7	29	N/C	49	CBUS1	69	YUV3	89	ADR1
10	FS8	30	GND	50	CBUS0	70	YUV2	90	ADR2
11	FS9	31	DIN0	51	GND	71	YUV1	91	ADR3
12	GND	32	DMODE3	52	N/C	72	YUV0	92	ADR4
13	FS10	33	DMODE2	53	CSTR	73	VDD	93	ADR5
14	VDD	34	VDD	54	VDD	74	VPIX	94	GND
15	FS11	35	DCLK	55	CEN	75	FRMOUT	95	ADR6
16	FS12	36	GND	56	CADR	76	GND	96	VDD
17	FS13	37	RESET	57	GND	77	MBOUT	97	ADR7
18	FS14	38	DMODE1	58	TD1	78	CAS	98	FS0
19	FS15	39	DMODE0	59	TMS	79	N/C	99	FS1
20	GND	40	CBUS7	60	TCLK	80	GND	100	FS2

Table 5. 100 Pin QFP Pin Assignment

ABSOLUTE MAXIMUM RATINGS [See Notes]

Supply voltage VDD	-0.5V to 7.0V
Input voltage V_{IN}	-0.5V to VDD + 0.5V
Output voltage V_{OUT}	-0.5V to VDD + 0.5V
Clamp diode current per pin I_K (see note 2)	18mA
Static discharge voltage (HBM)	500V
Storage temperature T_S	-55°C to 150°C
Ambient temperature with power applied T_{AMB}	0°C to 70°C
Junction temperature	125°C
Package power dissipation	1000mW

NOTES ON MAXIMUM RATINGS

1. Exceeding these ratings may cause permanent damage. Functional operation under these conditions is not implied.
2. Maximum dissipation for 1 second should not be exceeded, only one output to be tested at any one time.
3. Exposure to absolute maximum ratings for extended periods may affect device reliability.
4. Current is defined as negative into the device.

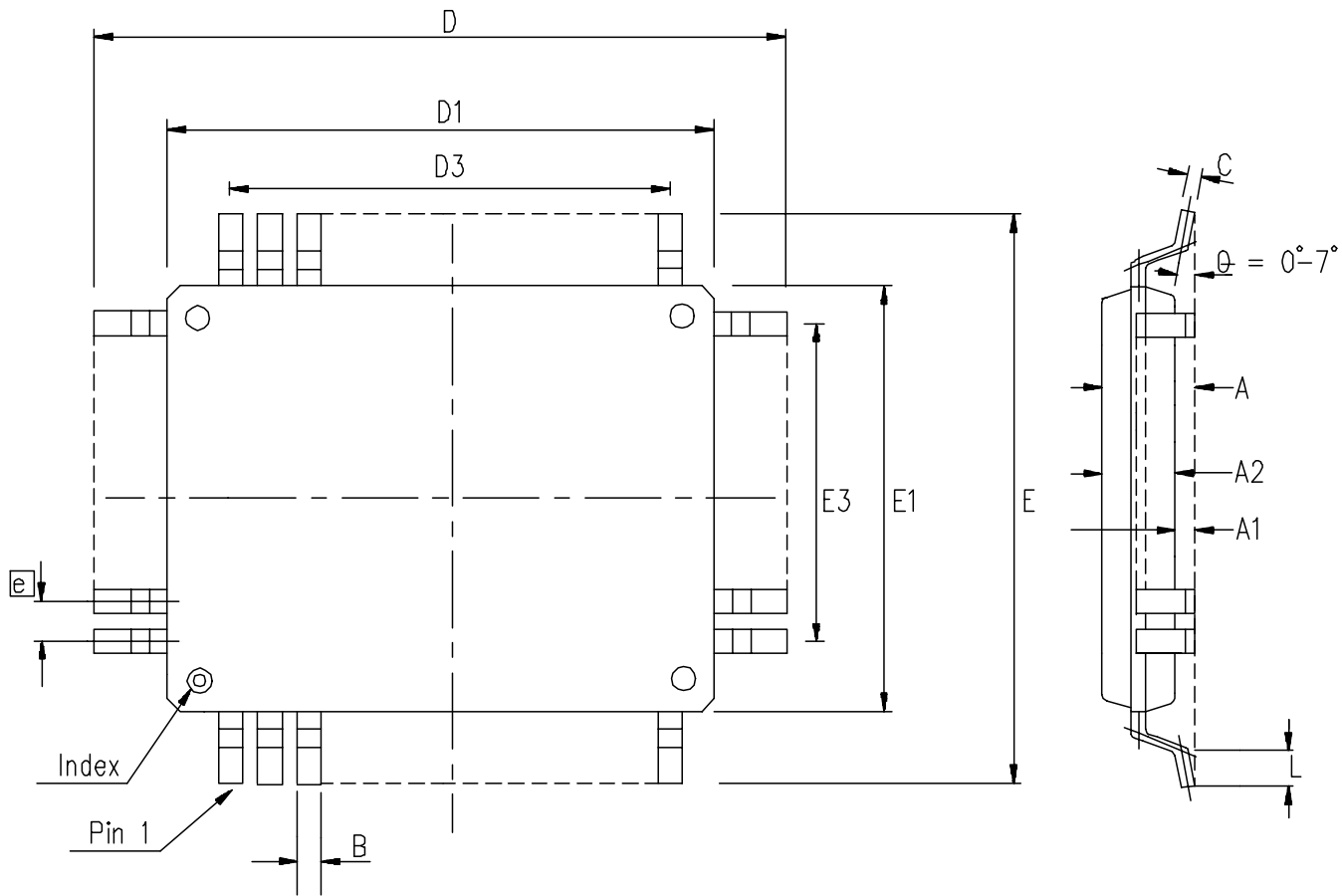
STATIC ELECTRICAL CHARACTERISTICS**Operating Conditions (unless otherwise stated)**

$T_{amb} = 0^\circ\text{C}$ to $+70^\circ\text{C}$ $V_{DD} = 5.0\text{v} \pm 5\%$

Characteristic	Symbol	Value			Units	Conditions	
		Min.	Typ.	Max.			
Output high voltage	V_{OH}	2.4		-	V	$I_{OH} = 4\text{mA}$ $I_{OL} = -4\text{mA}$ $V_{DD} - 1\text{V}$ for SYCLK, DCLK	
Output low voltage	V_{OL}	-		0.4	V		
Input high voltage	V_{IH}	2.0		-	V		
Input low voltage	V_{IL}	-		0.8	V		
Input leakage current	I_{IN}	-10		+10	μA		$\text{GND} < V_{IN} < V_{DD}$
Input capacitance	C_{IN}		10		pF		
Output leakage current	I_{OZ}	-50		+50	μA		$\text{GND} < V_{OUT} < V_{DD}$
Output S/C current	I_{SC}	10		300	mA		$V_{DD} = \text{Max}$

ORDERING INFORMATION

VP2615 CG GH1R (Commercial - Plastic QFP power package)



- NOTES: -
1. Controlling dimensions are in MM.
 2. Conforms to JEDEC MO-112 except standoff is 0.10 to 0.36mm, not 0.00 to 0.25mm.

	Min mm	Max mm	Min Inches	Max Inches
A		3.10		0.122
A1	0.10	0.36	0.004	0.014
A2	2.57	2.87	0.101	0.113
D	23.65	24.15	0.931	0.951
D1	19.90	20.10	0.783	0.791
D3	18.85 REF		0.742 REF	
E	17.65	18.15	0.695	0.715
E1	13.90	14.10	0.547	0.555
E3	12.35 REF		0.486 REF	
L	0.73	1.03	0.029	0.041
e	0.65 BSC		0.026 BSC	
B	0.22	0.38	0.009	0.015
C	0.13	0.23	0.005	0.009
N	100		100	
NOTE	RECTANGULAR			
N D	30			
N E	20			

© Mitel

ORIGINATING SITE: SWINDON

ISSUE	1				
ACN	179978				
DATE	11.OCT.95				
APPROVED					

MITEL SEMICONDUCTOR

Title: 100GH Package Outline
(14 x 20 x 2.8mm PowerQuad 4)

Drawing Number
GPD00148



<http://www.mitelsemi.com>

World Headquarters - Canada

Tel: +1 (613) 592 2122
Fax: +1 (613) 592 6909

North America

Tel: +1 (770) 486 0194
Fax: +1 (770) 631 8213

Asia/Pacific

Tel: +65 333 6193
Fax: +65 333 6192

**Europe, Middle East,
and Africa (EMEA)**

Tel: +44 (0) 1793 518528
Fax: +44 (0) 1793 518581

Information relating to products and services furnished herein by Mitel Corporation or its subsidiaries (collectively "Mitel") is believed to be reliable. However, Mitel assumes no liability for errors that may appear in this publication, or for liability otherwise arising from the application or use of any such information, product or service or for any infringement of patents or other intellectual property rights owned by third parties which may result from such application or use. Neither the supply of such information or purchase of product or service conveys any license, either express or implied, under patents or other intellectual property rights owned by Mitel or licensed from third parties by Mitel, whatsoever. Purchasers of products are also hereby notified that the use of product in certain ways or in combination with Mitel, or non-Mitel furnished goods or services may infringe patents or other intellectual property rights owned by Mitel.

This publication is issued to provide information only and (unless agreed by Mitel in writing) may not be used, applied or reproduced for any purpose nor form part of any order or contract nor to be regarded as a representation relating to the products or services concerned. The products, their specifications, services and other information appearing in this publication are subject to change by Mitel without notice. No warranty or guarantee express or implied is made regarding the capability, performance or suitability of any product or service. Information concerning possible methods of use is provided as a guide only and does not constitute any guarantee that such methods of use will be satisfactory in a specific piece of equipment. It is the user's responsibility to fully determine the performance and suitability of any equipment using such information and to ensure that any publication or data used is up to date and has not been superseded. Manufacturing does not necessarily include testing of all functions or parameters. These products are not suitable for use in any medical products whose failure to perform may result in significant injury or death to the user. All products and materials are sold and services provided subject to Mitel's conditions of sale which are available on request.

M Mitel (design) and ST-BUS are registered trademarks of MITEL Corporation
Mitel Semiconductor is an ISO 9001 Registered Company
Copyright 1999 MITEL Corporation
All Rights Reserved
Printed in CANADA

TECHNICAL DOCUMENTATION - NOT FOR RESALE