

# RECTIFIERS

## High Efficiency, 3.5A

UES1301 BYV28-50  
 UES1302 BYV28-100  
 UES1303 BYV28-150

### FEATURES

- Very Fast Recovery Times
- Very Low Forward Voltage
- Small Size
- Convenient Package

### DESCRIPTION

An axial leaded power rectifier useful in many switching applications. Particularly suited where very fast recovery and low forward voltage are required.

### ABSOLUTE MAXIMUM RATINGS

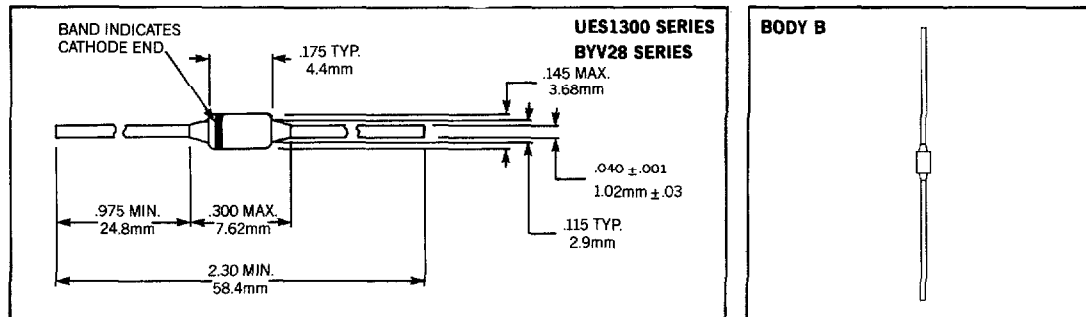
	UES1301	UES1302	UES1303	BYV28-50	BYV28-100	BYV28-150
Peak Inverse Voltage, $V_R$	50V	100V	150V	50V	100V	150V
Maximum Average D.C. Output at $T_L = 75^\circ\text{C}$ , $L = \frac{3}{8}" I_o$	6.0A			3.5A		
Non-Repetitive Surge Current at 8.3ms, $I_{FSM}$	125A			80A		
Thermal Resistance at $L = \frac{3}{8}"$ , $R_{\theta JC}$	20°C/W			25°C/W		
Junction Operating Temperature, $T_J$	175°C			165°C		
Operating and Storage Temperature Range	-55°C to +175°C					

### ELECTRICAL SPECIFICATIONS

Type	Maximum Reverse Voltage $V_R$	Maximum Forward Voltage @			Maximum Reverse Current @ Rated $V_R$		Maximum Reverse Recovery Time*
		$T_J = 25^\circ\text{C}$	$T_J = 100^\circ\text{C}$		$T_J = 25^\circ\text{C}$	$T_J = 100^\circ\text{C}$	
UES1301 UES1302 UES1303	50V 100V 150V	.925V @ 6A	.850V @ 6A		5 $\mu\text{A}$	150 $\mu\text{A}$	30ns
BYV28-50 BYV28-100 BYV28-150	50V 100V 150V	1.10V @ 5A	.75V @ 3A	.90V @ 5A	1 $\mu\text{A}$	150 $\mu\text{A}$	30ns

\*Measured in circuit  $I_F = 0.5\text{A}$ ,  $I_R = 1.0\text{A}$ ,  $I_{REC} = .25\text{A}$

### MECHANICAL SPECIFICATIONS



THESE DEVICES ALSO AVAILABLE IN SURFACE MOUNT PACKAGE. SEE SECTION 10

**Microsemi Corp.**  
**Watertown**  
 The diode experts

