

1.1-GHz Prescaler for PLLs in TV, CATV and SAT TV Tuners

Technology: Bipolar

Features

- U813BS ECL output stage
- U813BSE emitter-follower output stage
- 3 scaling factors 64/128/256, programmable at Pin 5
- High input sensitivity
- Low output impedance
- Low power consumption
- Pin-compatible to the U6xxB-series except Pin 5
- Electrostatic protection according to MIL-STD. 883

Case

8-pin dual-inline plastic	(U813BS, U813BSE)
8-pin SO plastic	(U813BS-FP, U813BSE-FP)
6-pin SIP plastic	(U813BS-SP, U813BSE-SP)

Block Diagram

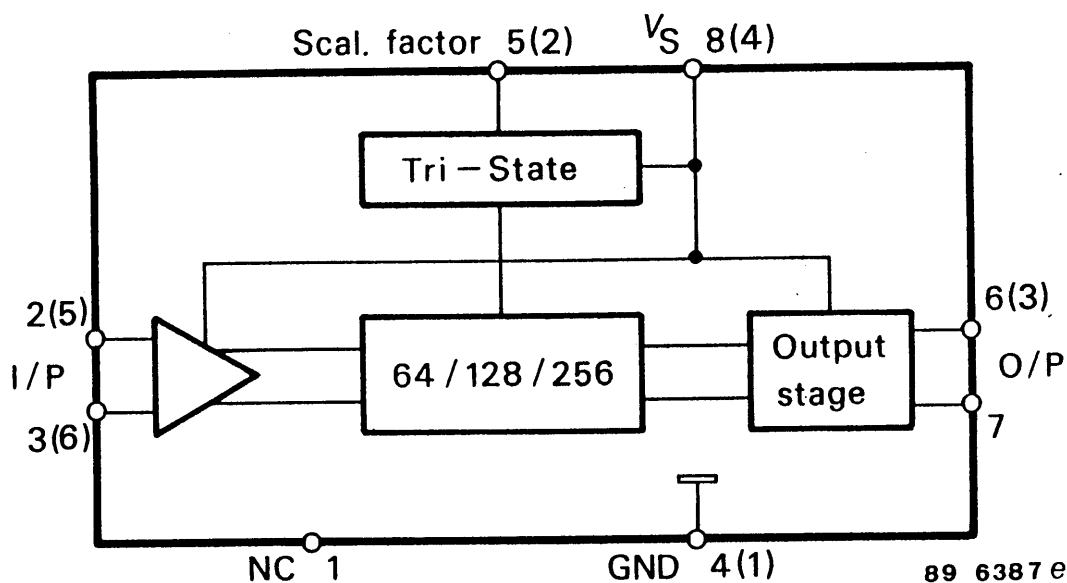


Figure 1. Block diagram

Absolute Maximum Ratings

Reference point pin 4 (1)

Parameters	Symbol	Value	Unit
Supply voltage Pin 8 (4)	V_S	6	V
Input-voltage range Pin 2, 3, 5 (2, 5, 6)	V_i	0 to V_S	V
Junction temperature	T_j	125	°C
Storage-temperature range	T_{stg}	-40 to +125	°C
Ambient-temperature range	T_{amb}	-25 to +70	°C

Thermal Resistance

Parameters	Symbol	Value	Unit
Junction ambient DIP8	R_{thJA}	100	K/W
SIP6		100	
SO8		175	

Note:

The device is self-oscillating without input signal

Pin Description (Dip8, SO8)

Pin	Function
1	Not connected
2, 3	Input
4	Ground
5	Switch 64/128/256
6, 7	Output
8	V_S

Pin Description (SIP6)

Pin	Function
1	Ground
2	Switch 64/128/256
3	Output
4	V_S
5,6	Input

Notes:

Pin numbers without brackets apply to DIP8 and SO8 package,
Pin numbers with brackets to SIP6

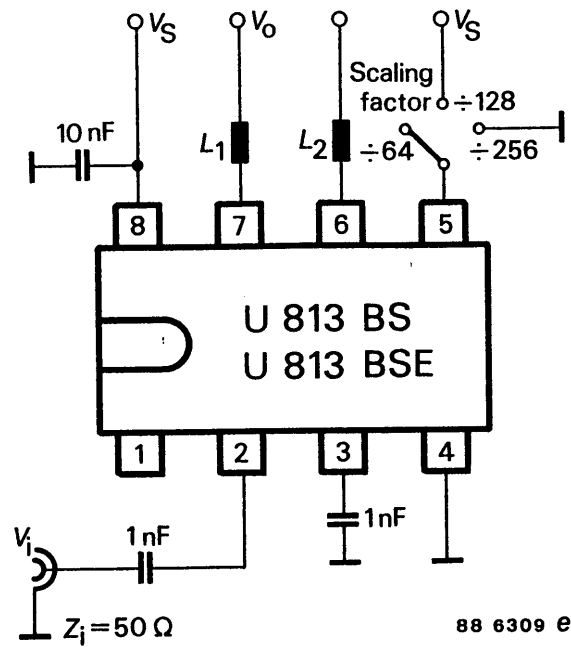
RMS voltage calculated from the available power measured

Electrical Characteristics

$V_S = 4.5$ to 5.5 V, $T_{amb} = 0$ to $+70^\circ\text{C}$, referred to test circuit, unless otherwise specified

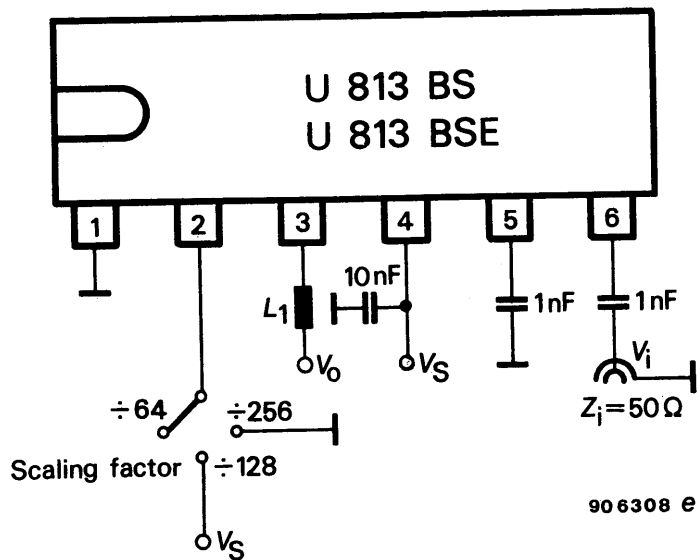
Parameters	Test Conditions / Pin	Symbol	Min.	Typ.	Max.	Unit
Supply current	$V_S = 5$ V U813BS Pin 8 (4)	I_S		35	45	mA
	U813BSE Pin 8 (4)	I_S		38	50	mA
Input sensitivity	$R_G = 50 \Omega$ $f_i = 70$ to 1000 MHz Pin 2, 3 (5, 6)	V_i			10	mV
	$f_i = 1000$ to 1100 MHz Pin 2, 3 (5, 6)	V_i			15	mV
Large-signal compatibility	$R_G = 50 \Omega$ Pin 2, 3 (5, 6)	V_i	300			mV
Frequency range		f_{imin} f_{imax}	1100		70	MHz
Output stage						
a. Balanced ECL output						
Voltage swing each output	$R_L = 10$ k// 13 pF Pin 6, 7 (3)	V_O	0.8			V_{pp}
Output impedance	Pin 6, 7 (3)	Z_O		500		Ω
b. Emitter follower						
Voltage swing each output	$R_L = 10$ k// 13 pF Pin 6, 7 (3)	V_O	1			V_{pp}
Output impedance	Pin 6, 7 (3)	Z_O		200		Ω
Switching voltage for	\therefore 64 Pin 5 (2)	V_{SF}		open		
	\therefore 128 Pin 5 (2)	V_{SF}	$V_S - 0.5$			V
	\therefore 256 Pin 5 (2)	V_{SF}		0	0.5	V

Test Circuits



DIP 8/SO 8

Figure 2.



SIP 6

$L_1 = L_2 = 150 \text{ nH}$ (6 turns CuL 0.45 mm \varnothing on 4 mm \varnothing)

Figure 3.

Output Circuits

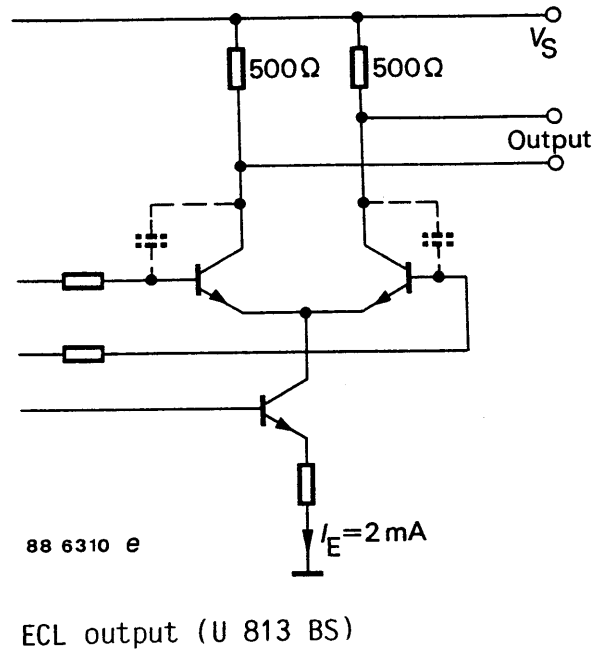


Figure 4.

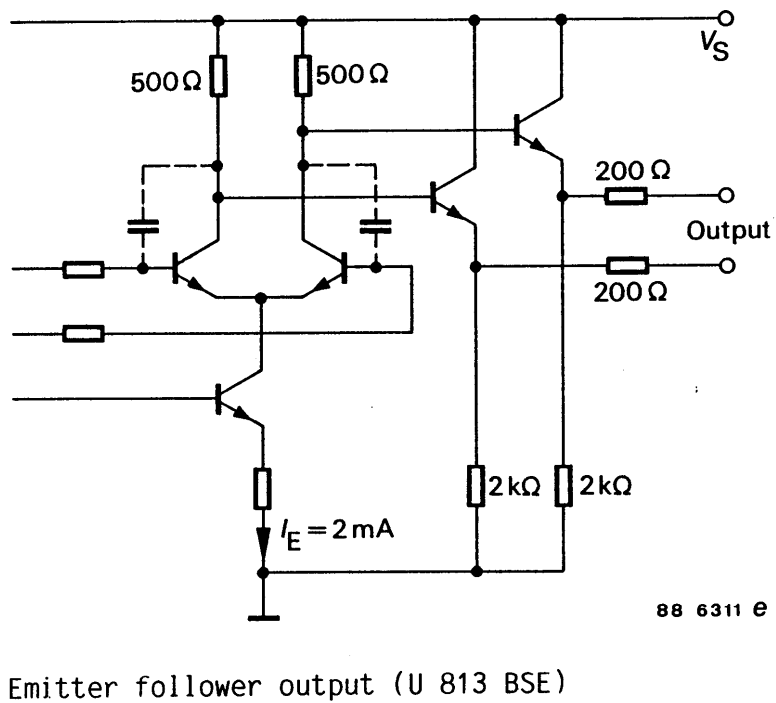
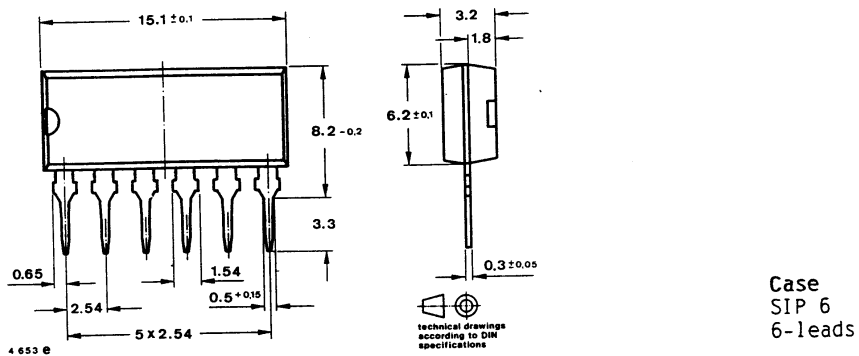
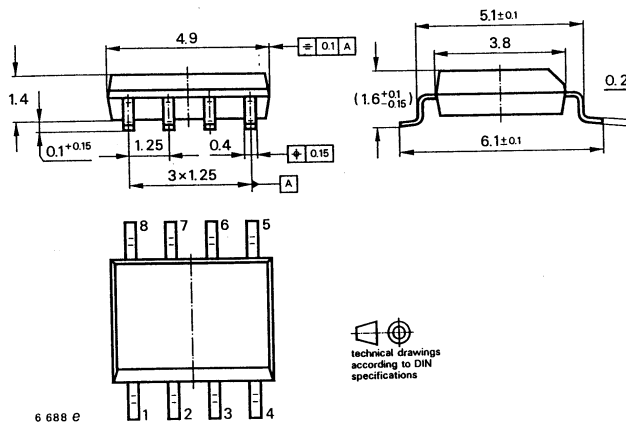
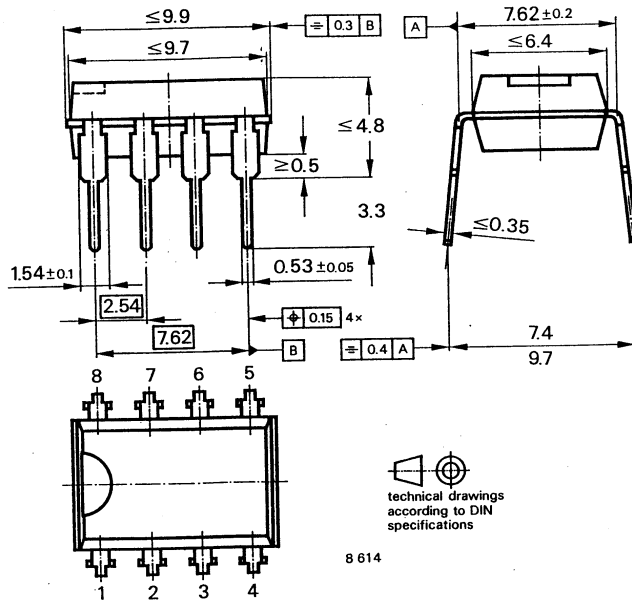


Figure 5.

U813BS/U813BSE

Dimensions in mm



Ozone Depleting Substances Policy Statement

It is the policy of **TEMIC TELEFUNKEN microelectronic GmbH** to

1. Meet all present and future national and international statutory requirements.
2. Regularly and continuously improve the performance of our products, processes, distribution and operating systems with respect to their impact on the health and safety of our employees and the public, as well as their impact on the environment.

It is particular concern to control or eliminate releases of those substances into the atmosphere which are known as ozone depleting substances (ODSs).

The Montreal Protocol (1987) and its London Amendments (1990) intend to severely restrict the use of ODSs and forbid their use within the next ten years. Various national and international initiatives are pressing for an earlier ban on these substances.

TEMIC TELEFUNKEN microelectronic GmbH semiconductor division has been able to use its policy of continuous improvements to eliminate the use of ODSs listed in the following documents.

1. Annex A, B and list of transitional substances of the Montreal Protocol and the London Amendments respectively
2. Class I and II ozone depleting substances in the Clean Air Act Amendments of 1990 by the Environmental Protection Agency (EPA) in the USA
3. Council Decision 88/540/EEC and 91/690/EEC Annex A, B and C (transitional substances) respectively.

TEMIC can certify that our semiconductors are not manufactured with ozone depleting substances and do not contain such substances.

We reserve the right to make changes to improve technical design and may do so without further notice.

Parameters can vary in different applications. All operating parameters must be validated for each customer application by the customer. Should the buyer use TEMIC products for any unintended or unauthorized application, the buyer shall indemnify TEMIC against all claims, costs, damages, and expenses, arising out of, directly or indirectly, any claim of personal damage, injury or death associated with such unintended or unauthorized use.

TEMIC TELEFUNKEN microelectronic GmbH, P.O.B. 3535, D-74025 Heilbronn, Germany
Telephone: 49 (0)7131 67 2831, Fax number: 49 (0)7131 67 2423