

OKI Semiconductor

MSC23408C/CL-xxDS8

4,194,304-Word × 8-Bit DRAM MODULE : FAST PAGE MODE TYPE

DESCRIPTION

The OKI MSC23408C/CL-xxDS8 is a fully decoded 4,194,304-word × 8-bit CMOS Dynamic Random Access Memory Module composed of eight 4-Mb DRAMs (4M × 1) in SOJ packages mounted with eight decoupling capacitors on a 30-pin glass epoxy single-inline package. This module is generally used for non-parity memory expansion applications such as fax machines, printers and personal computers. The low-power version (CL) offers reduced power consumption for mobile computing applications like laptops and palmtops.

FEATURES

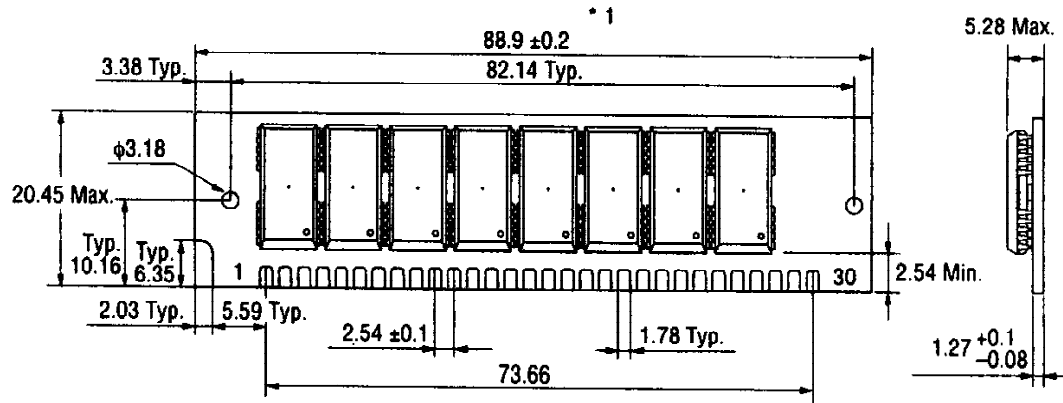
- 4-Meg × 8-bit organization
- 30-Pin Socket Insertable Module
MSC23408C/CL-xxDS8 : Solder tab
- Single 5 V supply ±10% tolerance
- Access times : 60, 70, 80 ns
- Input : TTL compatible
- Output : TTL compatible, 3-state
- Refresh : 1024 cycles/16 ms (128 ms : L-version)
- $\overline{\text{CAS}}$ before $\overline{\text{RAS}}$ refresh, $\overline{\text{CAS}}$ before $\overline{\text{RAS}}$ hidden refresh, $\overline{\text{RAS}}$ -only refresh capability
- Multi-bit test mode capability
- Fast Page Mode capability

PRODUCT FAMILY

Family	Access Time (Max.)			Cycle Time (Min.)	Power Dissipation	
	t _{RAC}	t _{AA}	t _{CAC}		Operating (Max.)	Standby (Max.)
MSC23408C/CL-60DS8	60 ns	30 ns	15 ns	110 ns	4400 mW	4.4 mW/
MSC23408C/CL-70DS8	70 ns	35 ns	20 ns	130 ns	3960 mW	8.8 mW (L-version)
MSC23408C/CL-80DS8	80 ns	40 ns	20 ns	150 ns	3520 mW	

PIN CONFIGURATION

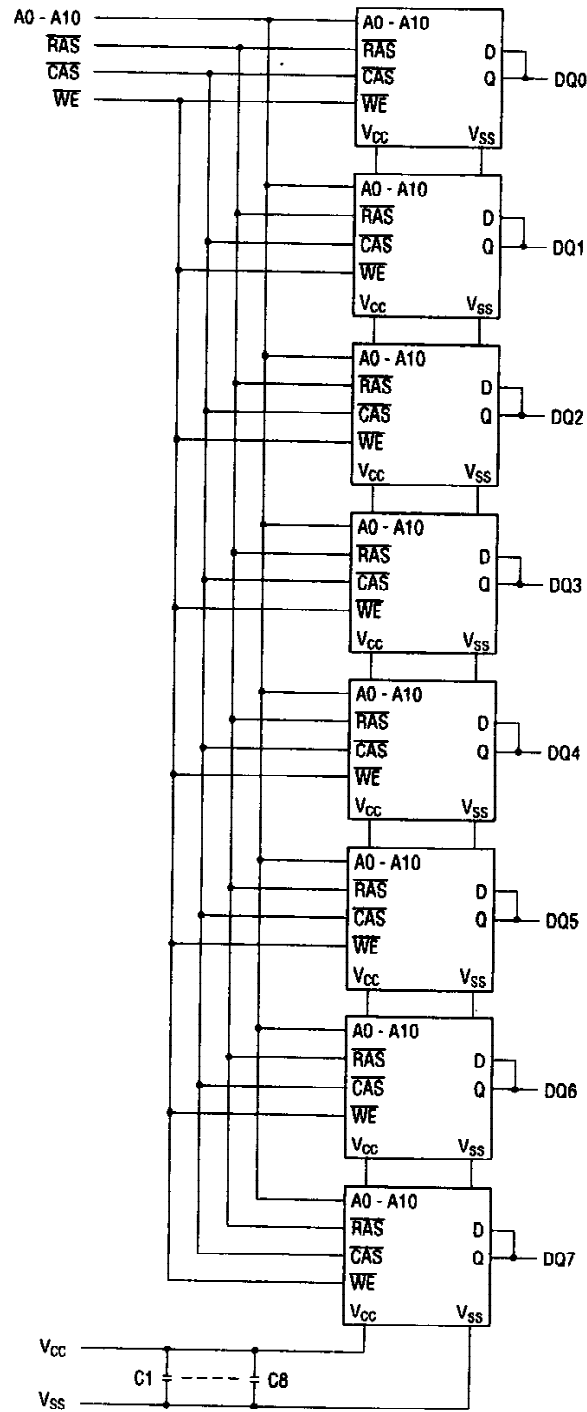
MSC23408C/CL-xxDS8



*1 The common size difference of the board width 12.5 mm of its height is specified as ± 0.2 . The value above 12.5 mm is specified as ± 0.5 .

Pin No.	Pin Name	Pin No.	Pin Name	Pin No.	Pin Name
1	Vcc	11	A4	21	WE
2	CAS	12	A5	22	Vss
3	DQ0	13	DQ3	23	DQ6
4	A0	14	A6	24	NC
5	A1	15	A7	25	DQ7
6	DQ1	16	DQ4	26	NC
7	A2	17	A8	27	RAS
8	A3	18	A9	28	NC
9	Vss	19	A10	29	NC
10	DQ2	20	DQ5	30	Vcc

BLOCK DIAGRAM



ELECTRICAL CHARACTERISTICS**Absolute Maximum Ratings**

Parameter	Symbol	Rating	Unit
Voltage on Any Pin Relative to V _{SS}	V _{IN} , V _{OUT}	-1.0 to 7.0	V
Voltage V _{CC} Supply Relative to V _{SS}	V _{CC}	-1.0 to 7.0	V
Short Circuit Output Current	I _{OS}	50	mA
Power Dissipation	P _D	8	W
Operating Temperature	T _{opr}	0 to 70	°C
Storage Temperature	T _{stg}	-40 to 125	°C

Note: Permanent device damage may occur if ABSOLUTE MAXIMUM RATINGS are exceeded. Functional operation should be restricted to the conditions as detailed in the operational sections of this data sheet. Exposure to absolute maximum rating conditions for extended periods may affect device reliability.

Recommended Operating Conditions(T_a = 0°C to 70°C)

Parameter	Symbol	Min.	Typ.	Max.	Unit
Power Supply Voltage	V _{CC}	4.5	5.0	5.5	V
	V _{SS}	0	0	0	V
Input High Voltage	V _{IH}	2.4	—	6.5	V
Input Low Voltage	V _{IL}	-1.0	—	0.8	V

Capacitance(T_a = 25°C, f = 1 MHz)

Parameter	Symbol	Typ.	Max.	Unit
Input Capacitance (A0 - A10)	C _{IN1}	—	57	pF
Input Capacitance (RAS, CAS, WE)	C _{IN2}	—	65	pF
I/O Capacitance (DQ0 - DQ7)	C _{DO}	—	19	pF

Note: Capacitance measured with Boonton Meter.

DC Characteristics

($V_{CC} = 5\text{ V} \pm 10\%$, $T_a = 0^\circ\text{C}$ to 70°C)

Parameter	Symbol	Condition	MSC23408C/CL -60DS8		MSC23408C/CL -70DS8		MSC23408C/CL -80DS8		Unit	Note
			Min.	Max.	Min.	Max.	Min.	Max.		
			Input Leakage Current	I_{LI}	$0\text{ V} \leq V_I \leq 6.5\text{ V}$; All other pins not under test = 0 V	-80	80	-80		
Output Leakage Current	I_{LO}	DOUT disable $0\text{ V} \leq V_O \leq 5.5\text{ V}$	-20	20	-20	20	-20	20	μA	
Output High Voltage	V_{OH}	$I_{OH} = -5.0\text{ mA}$	2.4	V_{CC}	2.4	V_{CC}	2.4	V_{CC}	V	
Output Low Voltage	V_{OL}	$I_{OL} = 4.2\text{ mA}$	0	0.4	0	0.4	0	0.4	V	
Average Power Supply Current (Operating)	I_{CC1}	$\overline{\text{RAS}}$, $\overline{\text{CAS}}$ cycling, $t_{RC} = \text{Min.}$	—	800	—	720	—	640	mA	1, 2
Power Supply Current (Standby)	I_{CC2}	$\overline{\text{RAS}}$, $\overline{\text{CAS}} = V_{IH}$	—	16	—	16	—	16	mA	1
		$\overline{\text{RAS}}$, $\overline{\text{CAS}}$	—	8	—	8	—	8	mA	1
		$\geq V_{CC} - 0.2\text{ V}$	—	1.6	—	1.6	—	1.6	mA	1, 5
Average Power Supply Current (RAS-only Refresh)	I_{CC3}	$\overline{\text{RAS}}$ cycling, $\overline{\text{CAS}} = V_{IH}$, $t_{RC} = \text{Min.}$	—	800	—	720	—	640	mA	1, 2
Average Power Supply Current (CAS before RAS Refresh)	I_{CC6}	$\overline{\text{RAS}}$ cycling, $\overline{\text{CAS}}$ before $\overline{\text{RAS}}$, $t_{RC} = \text{Min.}$	—	800	—	720	—	640	mA	1, 2
Average Power Supply Current (Fast Page Mode)	I_{CC7}	$\overline{\text{RAS}} = V_{IL}$, $\overline{\text{CAS}}$ cycling, $t_{PC} = \text{Min.}$	—	640	—	560	—	480	mA	1, 3
Average Power Supply Current (Battery Backup)	I_{CC10}	$t_{RC} = 125\ \mu\text{s}$, $\overline{\text{CAS}}$ before $\overline{\text{RAS}}$ cycling	—	2.4	—	2.4	—	2.4	mA	1, 2 4, 5

- Notes: 1. Specified values are obtained with the output open.
 2. Address can be changed once or less while $\overline{\text{RAS}} = V_{IL}$.
 3. Address can be changed once or less while $\overline{\text{CAS}} = V_{IH}$.
 4. $V_{CC} - 0.2\text{ V} \leq V_{IH} \leq 6.5\text{ V}$, $-1.0\text{ V} \leq V_{IL} \leq 0.2\text{ V}$.
 5. L-version.

AC Characteristics (1/2)

(V_{CC} = 5 V ±10%, T_a = 0°C to 70°C) Note 1,2,3,9,10

Parameter	Symbol	MSC23408C/CL		MSC23408C/CL		MSC23408C/CL		Unit	Note
		-60DS8		-70DS8		-80DS8			
		Min.	Max.	Min.	Max.	Min.	Max.		
Random Read or Write Cycle Time	t _{RC}	110	—	130	—	150	—	ns	
Fast Page Mode Cycle Time	t _{PC}	40	—	45	—	50	—	ns	
Access Time from RAS	t _{RAC}	—	60	—	70	—	80	ns	4, 5, 6
Access Time from CAS	t _{CAC}	—	15	—	20	—	20	ns	4, 5
Access Time from Column Address	t _{AA}	—	30	—	35	—	40	ns	4, 6
Access Time from CAS Precharge	t _{CPA}	—	35	—	40	—	45	ns	4
Output Low Impedance Time from CAS	t _{CLZ}	0	—	0	—	0	—	ns	4
Output Buffer Turn-off Delay Time	t _{OFF}	0	15	0	20	0	20	ns	7
Transition Time	t _T	3	50	3	50	3	50	ns	3
Refresh Period	t _{REF}	—	16	—	16	—	16	ms	
Refresh Period (L-version)	t _{REF}	—	128	—	128	—	128	ms	
RAS Precharge Time	t _{RP}	40	—	50	—	60	—	ns	
RAS Pulse Width	t _{RAS}	60	10K	70	10K	80	10K	ns	
RAS Pulse Width (Fast Page Mode)	t _{RASP}	60	100K	70	100K	80	100K	ns	
RAS Hold Time	t _{RSH}	15	—	20	—	20	—	ns	
CAS Precharge Time	t _{CP}	10	—	10	—	10	—	ns	
CAS Pulse Width	t _{CAS}	15	10K	20	10K	20	10K	ns	
CAS Hold Time	t _{CSH}	60	—	70	—	80	—	ns	
CAS to RAS Precharge Time	t _{CRP}	5	—	5	—	5	—	ns	
RAS to CAS Delay Time	t _{RCD}	20	45	20	50	20	60	ns	5
RAS to Column Address Delay Time	t _{RAD}	15	30	15	35	15	40	ns	6
Row Address Set-up Time	t _{ASR}	0	—	0	—	0	—	ns	
Row Address Hold Time	t _{RAH}	10	—	10	—	10	—	ns	
Column Address Set-up Time	t _{ASC}	0	—	0	—	0	—	ns	
Column Address Hold Time	t _{CAH}	15	—	15	—	15	—	ns	
Column Address Hold Time from RAS	t _{AR}	50	—	55	—	60	—	ns	
Column Address to RAS Lead Time	t _{RAL}	30	—	35	—	40	—	ns	

AC Characteristics (2/2)

(V_{CC} = 5 V ±10%, T_a = 0°C to 70°C) Note 1,2,3,9,10

Parameter	Symbol	MSC23408C/CL		MSC23408C/CL		MSC23408C/CL		Unit	Note
		-60DS8		-70DS8		-80DS8			
		Min.	Max.	Min.	Max.	Min.	Max.		
Read Command Set-up Time	t _{RCS}	0	—	0	—	0	—	ns	
Read Command Hold Time	t _{RCH}	0	—	0	—	0	—	ns	8
Read Command Hold Time referenced to $\overline{\text{RAS}}$	t _{RRH}	0	—	0	—	0	—	ns	8
Write Command Set-up Time	t _{WCS}	0	—	0	—	0	—	ns	
Write Command Hold Time	t _{WCH}	10	—	10	—	10	—	ns	
Write Command Hold Time from $\overline{\text{RAS}}$	t _{WCR}	45	—	50	—	60	—	ns	
Write Command Pulse Width	t _{WP}	10	—	10	—	10	—	ns	
Write Command to $\overline{\text{RAS}}$ Lead Time	t _{RWL}	15	—	20	—	20	—	ns	
Write Command to $\overline{\text{CAS}}$ Lead Time	t _{CWL}	15	—	20	—	20	—	ns	
Data-in Set-up Time	t _{DS}	0	—	0	—	0	—	ns	
Data-in Hold Time	t _{DH}	15	—	15	—	15	—	ns	
Data-in Hold Time from $\overline{\text{RAS}}$	t _{DHR}	50	—	55	—	60	—	ns	
$\overline{\text{CAS}}$ Active Delay Time from $\overline{\text{RAS}}$ Precharge	t _{RPC}	5	—	5	—	5	—	ns	
$\overline{\text{RAS}}$ to $\overline{\text{CAS}}$ Set-up Time ($\overline{\text{CAS}}$ before $\overline{\text{RAS}}$)	t _{CSR}	5	—	5	—	5	—	ns	
$\overline{\text{RAS}}$ to $\overline{\text{CAS}}$ Hold Time ($\overline{\text{CAS}}$ before $\overline{\text{RAS}}$)	t _{CHR}	10	—	10	—	10	—	ns	
$\overline{\text{CAS}}$ Precharge Time (Refresh Counter Test)	t _{CPT}	30	—	35	—	40	—	ns	
$\overline{\text{WE}}$ to $\overline{\text{RAS}}$ Precharge Time ($\overline{\text{CAS}}$ before $\overline{\text{RAS}}$)	t _{WRP}	10	—	10	—	10	—	ns	
$\overline{\text{WE}}$ Hold Time from $\overline{\text{RAS}}$ ($\overline{\text{CAS}}$ before $\overline{\text{RAS}}$)	t _{WRH}	10	—	10	—	10	—	ns	
$\overline{\text{RAS}}$ to $\overline{\text{WE}}$ Set-up Time (Test Mode)	t _{WTS}	10	—	10	—	10	—	ns	
$\overline{\text{RAS}}$ to $\overline{\text{WE}}$ Hold Time (Test Mode)	t _{WTH}	10	—	10	—	10	—	ns	

- Notes:
1. A start-up delay of 200 μ s is required after power-up followed by a minimum of eight initialization cycles (RAS-only refresh or $\overline{\text{CAS}}$ before $\overline{\text{RAS}}$ refresh) before proper device operation is achieved.
When using the internal refresh counter, a minimum of eight $\overline{\text{CAS}}$ before $\overline{\text{RAS}}$ initialization cycles is required.
 2. AC measurement assume $t_T = 5$ ns.
 3. V_{IH} (Min.) and V_{IL} (Max.) are reference levels for measuring input timing signals. Transition times are measured between V_{IH} and V_{IL} .
 4. Measured with a load circuit equivalent to 2 TTL loads and 100 pF.
 5. Operation within the t_{RCD} (Max.) limit ensures that t_{RAC} (Max.) can be met. t_{RCD} (Max.) is specified as a reference point only. If t_{RCD} is greater than the specified t_{RCD} (Max.) limit, access time is controlled by t_{CAC} .
 6. Operation within the t_{RAD} (Max.) limit ensures that t_{RAC} (Max.) can be met. t_{RAD} (Max.) is specified as a reference point only. If t_{RAD} is greater than the specified t_{RAD} (Max.) limit, access time is controlled by t_{AA} .
 7. t_{OFF} (Max.) defines the time at which the output achieves an open circuit condition and is not referenced to output voltage levels.
 8. t_{RCH} or t_{RRH} must be satisfied for a read cycle.
 9. The test mode is initiated by performing a $\overline{\text{WE}}$ and $\overline{\text{CAS}}$ before $\overline{\text{RAS}}$ refresh cycle. This mode is latched and remains in effect until the exit cycle is generated. The test mode specified in this data sheet is an 8-bit parallel test function. RA10, CA10 and CA0 are not used. In a read cycle, if all internal bits are equal, the DQ pin will indicate a high level. If any internal bits are not equal, the DQ pin will indicate a low level.
The test mode is cleared and the memory device returned to its normal operating state by performing a $\overline{\text{RAS}}$ -only refresh cycle or a $\overline{\text{CAS}}$ before $\overline{\text{RAS}}$ refresh cycle.
 10. In a test mode read cycle, the access time parameters are delayed by 5 ns. The test mode parameters are obtained by adding 5 ns to the normal read cycle values.

See ADDENDUM E for AC Timing Waveforms