

DATA SHEET



BA423AL AM band-switching diode

Product specification
Supersedes data of April 1992

1996 Mar 13

AM band-switching diode

BA423AL

FEATURES

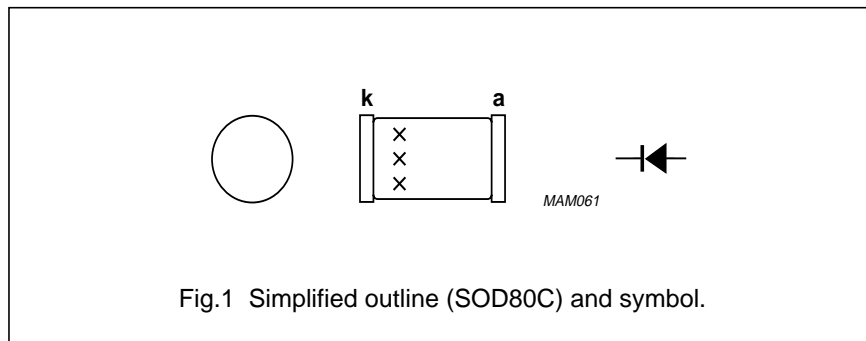
- Continuous reverse voltage:
max. 20 V
- Continuous forward current:
max. 50 mA
- Low diode capacitance:
max. 2.5 pF
- Low diode forward resistance:
max. 1.2 Ω.

APPLICATION

- Band switching in AM radio receivers.

DESCRIPTION

Leadless diode in a hermetically-sealed glass SOD80C SMD package with lead/tin plated metal discs at each end.



LIMITING VALUES

In accordance with the Absolute Maximum Rating System (IEC 134).

SYMBOL	PARAMETER	MIN.	MAX.	UNIT
V_R	continuous reverse voltage	–	20	V
I_F	continuous forward current	–	50	mA
T_{stg}	storage temperature	–65	+150	°C
T_j	junction temperature	–	150	°C

ELECTRICAL CHARACTERISTICS

$T_j = 25\text{ °C}$ unless otherwise specified.

SYMBOL	PARAMETER	CONDITIONS	MAX.	UNIT
V_F	forward voltage	$I_F = 50\text{ mA}$; see Fig.2	0.9	V
I_R	reverse current	see Fig.3 $V_R = 20\text{ V}$ $V_R = 20\text{ V}$; $T_j = 125\text{ °C}$	100 5	nA μA
C_d	diode capacitance	$f = 1\text{ MHz}$; $V_R = 3\text{ V}$; see Fig.4	2.5	pF
r_D	diode forward resistance	$I_F = 10\text{ mA}$; $f = 1\text{ MHz}$; see Fig.5	1.2	Ω

THERMAL CHARACTERISTICS

SYMBOL	PARAMETER	CONDITIONS	VALUE	UNIT
$R_{th\ j-tp}$	thermal resistance from junction to tie-point		300	K/W
$R_{th\ j-a}$	thermal resistance from junction to ambient	note 1	375	K/W

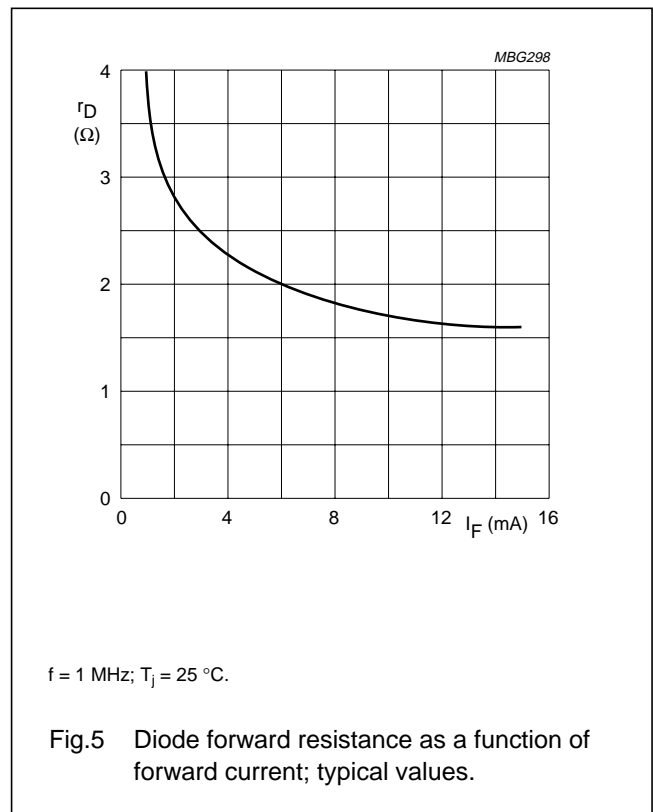
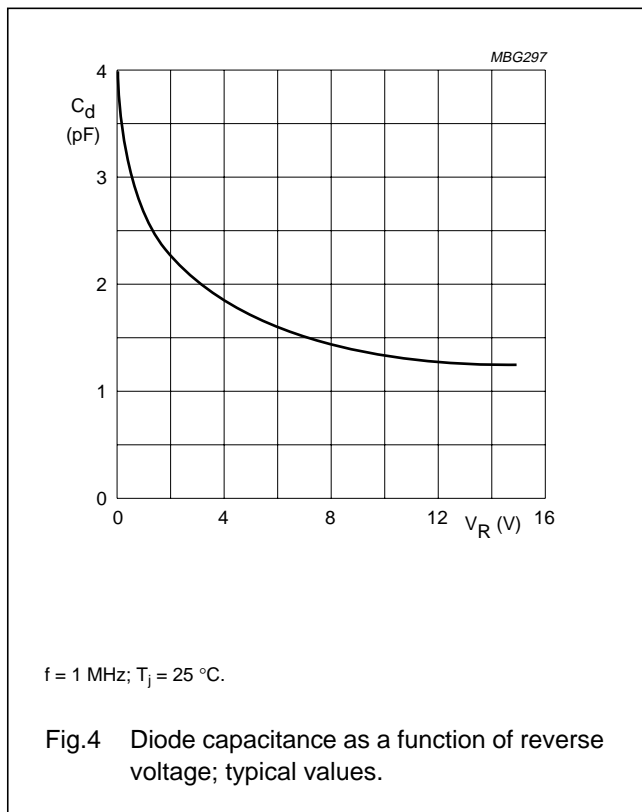
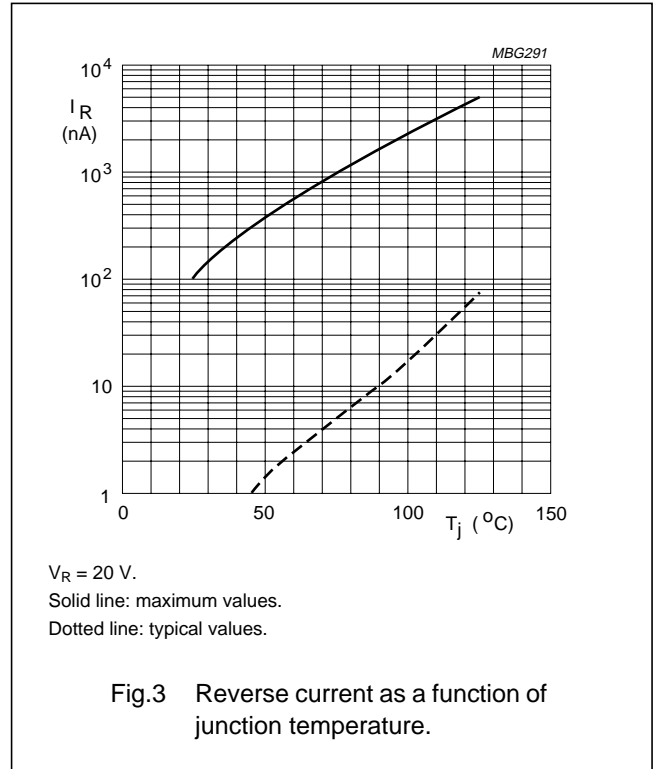
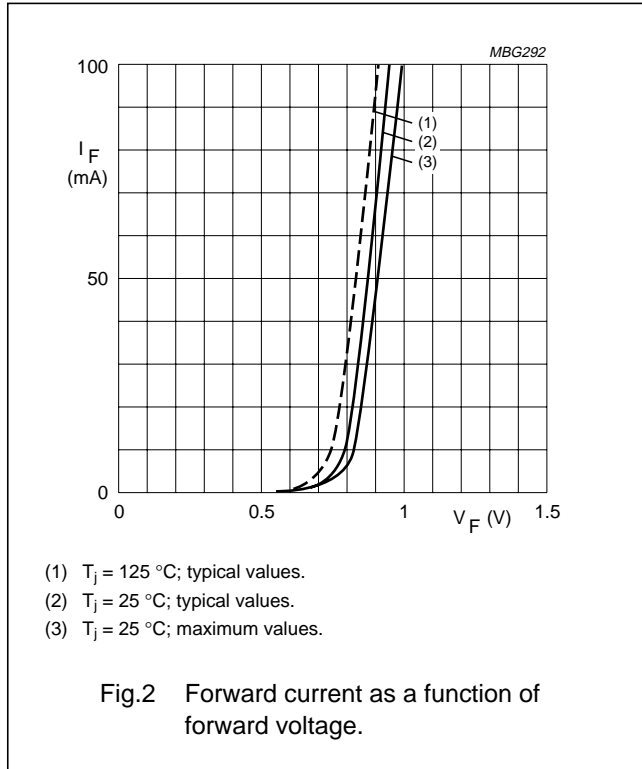
Note

1. Device mounted on a FR4 printed-circuit board.

AM band-switching diode

BA423AL

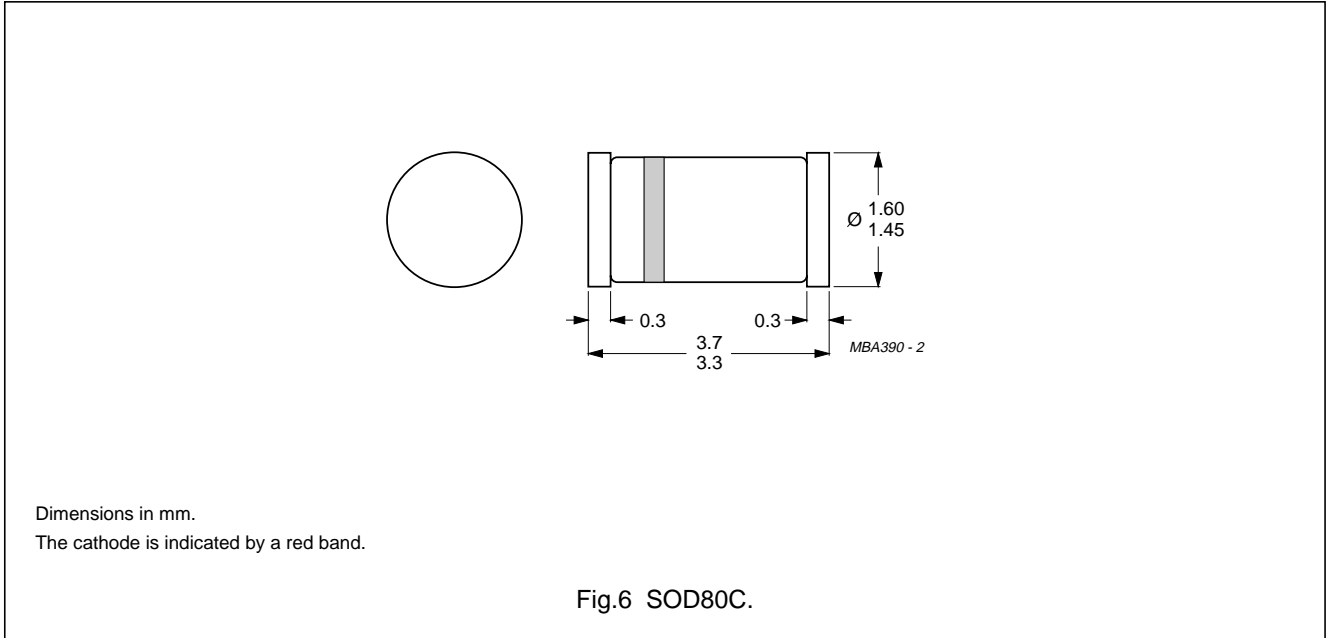
GRAPHICAL DATA



AM band-switching diode

BA423AL

PACKAGE OUTLINE



DEFINITIONS

Data Sheet Status	
Objective specification	This data sheet contains target or goal specifications for product development.
Preliminary specification	This data sheet contains preliminary data; supplementary data may be published later.
Product specification	This data sheet contains final product specifications.
Limiting values	
Limiting values given are in accordance with the Absolute Maximum Rating System (IEC 134). Stress above one or more of the limiting values may cause permanent damage to the device. These are stress ratings only and operation of the device at these or at any other conditions above those given in the Characteristics sections of the specification is not implied. Exposure to limiting values for extended periods may affect device reliability.	
Application information	
Where application information is given, it is advisory and does not form part of the specification.	

LIFE SUPPORT APPLICATIONS

These products are not designed for use in life support appliances, devices, or systems where malfunction of these products can reasonably be expected to result in personal injury. Philips customers using or selling these products for use in such applications do so at their own risk and agree to fully indemnify Philips for any damages resulting from such improper use or sale.