

SINGLE-SUPPLY LOW POWER DUAL OPERATIONAL AMPLIFIER

■ GENERAL DESCRIPTION

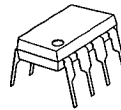
The NJM2132 is a general purpose single supply low power dual operational amplifier.

The features of low operating current, wide and low operating voltage, high input impedance, and single supply operation are suitable for battery operated items.

■ FEATURES

- Operating Voltage (+2.7V ~ +32V)
- Low Operating Current (180  $\mu$ A typ. @  $V^+=5V$ , each amplifier)
- Slew Rate (2.1V/ $\mu$ s typ.)
- Gain Bandwidth Product (1.8MHz typ.)
- Bipolar Technology
- Package Outline DIP8, DMP8, SSOP8, SIP8

■ PACKAGE OUTLINE



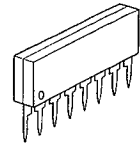
NJM2132D



NJM2132M

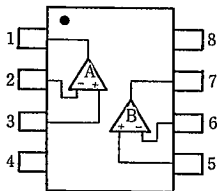


NJM2132V

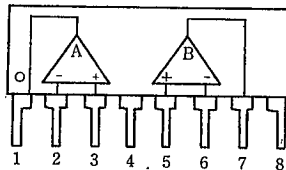


NJM2132L

■ PIN CONFIGURATION



NJM2132D  
NJM2132M  
NJM2132V

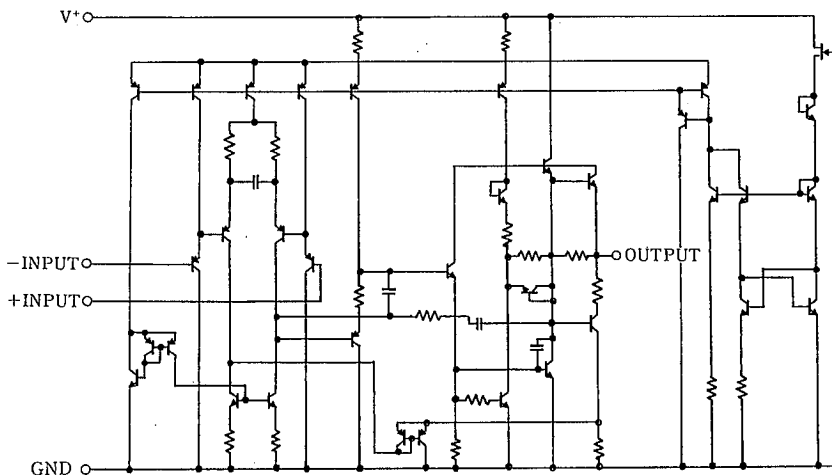


NJM2132L

PIN FUNCTION

1. A OUTPUT
2. A -INPUT
3. A +INPUT
4.  $V^-$
5. B +INPUT
6. B -INPUT
7. B OUTPUT
8.  $V^+$

■ EQUIVALENT CIRCUIT (1/2 Shown)



## ■ ABSOLUTE MAXIMUM RATINGS

(Ta=25°C)

PARAMETER	SYMBOL	RATINGS	UNIT
Supply Voltage	V*	36	V
Differential Input Voltage	V <sub>ID</sub>	±36	V
Input Voltage	V <sub>IC</sub>	-0.3~+36(note)	V
Power Dissipation	P <sub>D</sub>	(DIP-8) 500 (DMP-8) 300 (SSOP-8) 250 (SIP-8) 800	mW
Operating Temperature Range	T <sub>opr</sub>	-40~+85	°C
Storage Temperature Range	T <sub>stg</sub>	-50~+125	°C

(note) When the supply voltage is less than +36V, the absolute maximum input voltage is equal to the supply voltage.

## ■ ELECTRICAL CHARACTERISTICS

(V\*/V<sup>-</sup>=±15V, Ta=25°C)

PARAMETER	SYMBOL	TEST CONDITIONS	MIN.	TYP.	MAX.	UNIT
Operating Voltage	V*	Single Supply	+2.7		+32	V
Input Offset Voltage	V <sub>IO</sub>	R <sub>S</sub> =0Ω	-	2.0	4.5	mV
		V <sup>+</sup> =+5V, V <sup>-</sup> =0V, R <sub>S</sub> =0Ω	-	2.5	5.0	
V <sub>IO</sub> Drift	ΔV <sub>IO</sub> /T	R <sub>S</sub> =0Ω	-	10	-	μV/°C
Input Offset Current	I <sub>IO</sub>		-	5	20	nA
Input Bias Current	I <sub>B</sub>		-	20	100	nA
Large Signal Voltage Gain	A <sub>V</sub>	R <sub>L</sub> ≥10kΩ, V <sub>O</sub> =±10V	94	114	-	dB
Input Common Mode Voltage Range	V <sub>ICM</sub>		-15~+13.5(MIN)			V
Common mode Rejection Ratio	CMR	R <sub>S</sub> ≤10kΩ	80	90	-	dB
Supply Voltage Rejection Ratio	SVR	R <sub>S</sub> =100Ω	80	100	-	dB
Maximum Output Voltage Swing	V <sub>OM</sub>	R <sub>L</sub> =10kΩ	±13.6	±14.2	-	V
	+V <sub>OM</sub>	V <sup>+</sup> =+5V, V <sup>-</sup> =0V	3.5	4.3	-	
	-V <sub>OM</sub>	R <sub>L</sub> =10kΩ	-	0.05	0.15	
Operating Current	I <sub>CC</sub>	R <sub>L</sub> =∞(all Amp.)	-	440	500	μA
		V <sup>+</sup> =+5V, V <sup>-</sup> =0V	-	360	500	
Output Source Current	I <sub>SOURCE</sub>	V <sub>IN</sub> <sup>+</sup> =1V, V <sub>IN</sub> <sup>-</sup> =0V	3.0	5.0	-	mA
Output Sink Current	I <sub>SINK</sub>	V <sub>IN</sub> <sup>+</sup> =0V, V <sub>IN</sub> <sup>-</sup> =1V	15	27	-	mA
Input Resistance	R <sub>IN</sub>		-	300	-	MΩ
Input Capacitance	C <sub>i</sub>		-	0.8	-	pF
Close Loop Output Impedance	Z <sub>O</sub>	f=1.0MHz	-	100	-	Ω
Equivalent Input Noise Voltage	e <sub>n</sub>	R <sub>S</sub> =100Ω, f=1kHz	-	32	-	nV/√Hz
Slew Rate	SR	R <sub>L</sub> =10kΩ	-	2.1	-	V/μs
Gain Bandwidth Product	GB	f=100kHz	-	1.8	-	MHz
Power Bandwidth	BW <sub>p</sub>	A <sub>V</sub> =+1.0, R <sub>L</sub> =10kΩ V <sub>O</sub> =20V <sub>p-p</sub> , THD=5%	-	35	-	kHz
Phase Margin	φ <sub>M</sub>	R <sub>L</sub> =10kΩ	-	60	-	deg.
		R <sub>L</sub> =10kΩ, C <sub>L</sub> =100pF	-	45	-	
Amplitude Margin	A <sub>m</sub>	R <sub>L</sub> =10kΩ	-	15	-	dB
		R <sub>L</sub> =10kΩ, C <sub>L</sub> =100pF	-	5.0	-	
Total Harmonic Distortion	THD	A <sub>V</sub> =+10, R <sub>L</sub> =10kΩ f=10kHz, 2≤V <sub>O</sub> ≤20V <sub>p-p</sub>	-	0.03	-	%
Channel Separation	CS	f=10kHz, Input Referrd	-	120	-	dB

4

## MEMO

[CAUTION]

The specifications on this databook are only given for information, without any guarantee as regards either mistakes or omissions. The application circuits in this databook are described only to show representative usages of the product and not intended for the guarantee or permission of any right including the industrial rights.