



CPU Frequency Generator

General Description

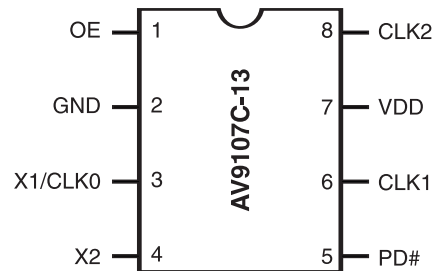
The AV9107C-13 offers a tiny footprint solution for generating two simultaneous clocks. The AV9107C-13 uses a 20 MHz crystal to generate two PLL synthesis outputs of 20 and 40 MHz. The Output enable pin will tristate the 40 MHz output when low (maintaining the 20 MHz output running in both logic levels). The power pin takes the device to a low current condition, shutting off the PLL and forcing both outputs low, when the PD# pin is low. There is a built-in pull-up on both the OE and PD# inputs.

The device has advanced features which include on-chip loop filters, tristate outputs, and power-down capability. A minimum of external components - two decoupling capacitors and an optional ferrite bead - are all that are required for jitter-free operation.

Features

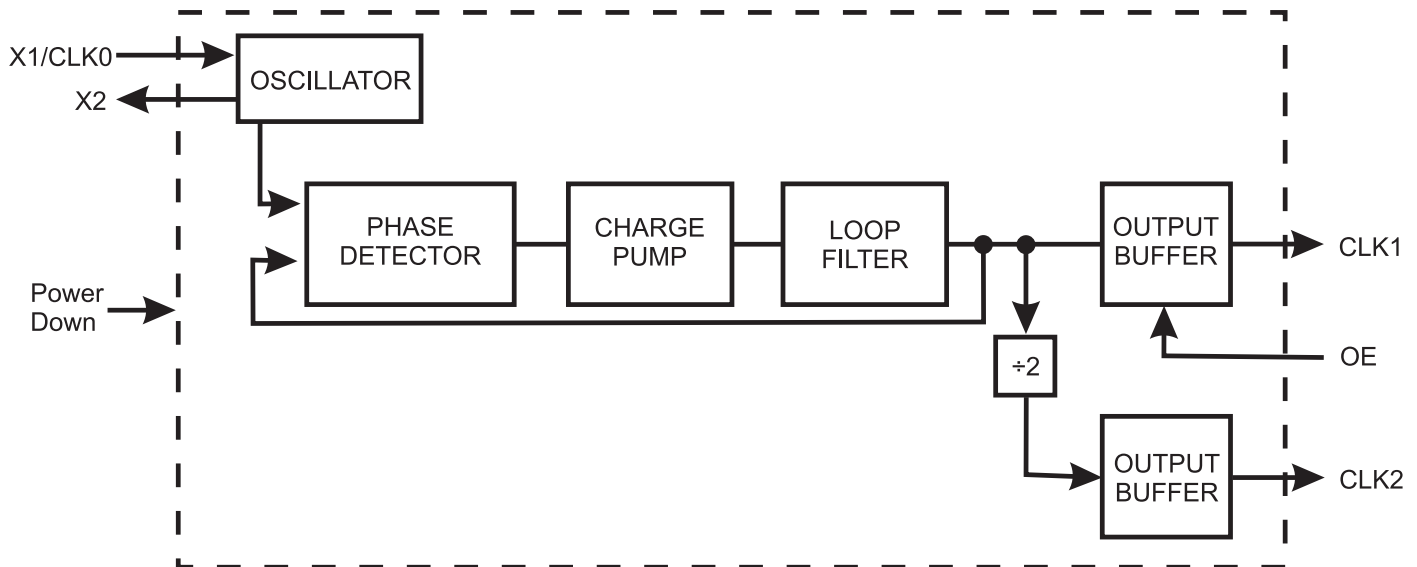
- Patented on-chip Phase-Locked Loop with VCO for clock generation
- Provides two synthesized clocks
- Generates 20 and 40 MHz output frequencies.
- On-chip loop filter
- Low power CMOS technology
- Single +3.3 or +5 volt power supply
- 8-pin SOIC package

Pin Configuration



Block Diagram

Note: Crystal is 20 MHz





AV9107C-13

Functionality

(at 14.318) MHz reference frequency input)

OE	CLK1	CLK2
0	20 MHz	Tristate
1	20 MHz	40 MHz

Pin Descriptions

PIN NUMBER	PIN NAME	TYPE	DESCRIPTION
1	OE	Input	Output Enable - Tristates the 40 MHz output when low. Pull-Up
2	GND	PWR	Ground.
3	X1/CLK0	Input	Crystal Input or Input Clock frequency. Typically 20MHz crystal.
4	X2	Output	Crystal Output (No Connect when clock used.).
5	PD#	Input	Power Down. Shuts off chip when low outputs are driven low. Internall pull-up.
6	CLK1	Output	Clock 1 output 40MHz with 20MHz crystal.
7	VDD	PWR	Digital power supply (+5V DC).
8	CLK2	Output	Clock2 output, divided by 2 from clock1 output, for 20MHz with 20MHz crystal. Output is synthesized.

Frequency Accuracy and Calculation

The accuracy of the frequencies produced by the AV9107C depends on the input frequency and the desired actual output frequency. The formula for calculating the exact output frequency is as follows:

$$\text{Output Frequency} = \text{Input Frequency} \times \frac{A}{B}$$

Where A = 2, 3, 4 ... 128, and
B = 2, 3, 4 ...32.

For example, to calculate the actual output frequency for a video monitor expecting a 44.900 MHz clock and using a 14.318 MHz input clock, the closest A/B ratio is 69/22, which gives an output of 44.906 MHz (within 0.02% of the target frequency). Generally, the AV9107 can produce frequencies within 0.1% of the desired output.

Allowable Input and Output Frequencies

The input frequency should be between 12 and 40 MHz and the A/B ratio should not exceed 24. The output should fall in the range of 12 to 80 MHz for CLK1 and CLK2. (See specification for 3.3V and 5V condition details).

Output Enable

The Output Enable feature tristates the CLK1 output clock pin. This places the selected output pins in a high impedance state to allow for system level diagnostic testing. The divide-by-2 output of CLK2 remains active on the AV9107C-13 for any OE state.

Power Down

The power down pin shuts off the entire chip to save current. A few milliseconds are required to reach full functioning speed from a power down state.



Absolute Maximum Ratings

AVDD, VDD referenced to GND 7V
 Operating temperature under bias. 0°C to +70°C
 Storage temperature -65°C to +150°C
 Voltage on I/O pins referenced to GND. GND -0.5V to VDD +0.5V
 Power dissipation 0.5 Watts

Stresses above those listed under Absolute Maximum Ratings may cause permanent damage to the device. This is a stress rating only and functional operation of the device at these or any other conditions above those indicated in the operational sections of the specifications is not implied. Exposure to absolute maximum rating conditions for extended periods may affect product reliability.

Electrical Characteristics at 5.0V

Operating V_{DD} = +4.5V to +5.5V; T_A = 0°C to 70°C unless otherwise stated

DC Characteristics						
PARAMETER	SYMBOL	TEST CONDITIONS	MIN	TYP	MAX	UNITS
Input Low Voltage	V _{IL}		-	-	0.8	V
Input High Voltage	V _{IH}		2.0	-	-	V
Input Low Current	I _{IL}	V _{IN} =0V	-	6.0	16.0	μA
Input High Current	I _{IH}	V _{IN} =V _{DD}	2.0	-	2.0	μA
Output Low Voltage	V _{OL}	I _{OL} =10mA	-	0.25	0.40	V
Output High Voltage, Note 1	V _{OH}	I _{OH} =-30mA	2.4	3.25	-	V
Output Low Current, Note 1	I _{OL}	V _{OL} =0.8V	22.0	35.0	-	mA
Output High Current, Note 1	I _{OH}	V _{OH} =2.0V	-	-50.0	-35.0	mA
Supply Current	I _{DD}	No load	-	18.0	40.0	mA
Output Frequency Change over Supply and Temperature	F _d	With respect to typical frequency Note 1	-	0.002	0.05	%
Stand by Supply Current	I _{DDSTDBY}	Note 2	-	12.0	50.0	μA
Pull-up Resistor, Note 1	R _{pu}	V _{IN} = V _{DD} -1V	-	380.0	800.0	k ohms
AC Characteristics						
Output Rise Time 0.8 to 2.0V, Note 1	T _r	15pF load	-	0.65	1.60	ns
Output Fall Time 2.0 to 0.8V, Note 1	T _f	15pF load	-	0.55	1.2	ns
Rise Time 20% to 80% VDD, Note 1	T _r	15pF load	-	1.5	3.5	ns
Fall Time 80% to 20% VDD, Note 1	T _f	15pF load	-	1.1	2.2	ns
Duty Cycle, Note 1	D _t	15pF load	45.0	-	55.0	%
Jitter, One Sigma, Note 1	T _{jis}	10,000 samples	-	40.0	120.0	ps
Jitter, Absolute, Notes 1, 3	T _{jab}	10,000 samples	-500.0	200	500.0	ps
Input Frequency, Note 1	F _i		14	20	40	MHz
Output Frequency, Note 1	F _o	Clock1	28	40	80	MHz
Power-up Time, Note 1	T _{pu}		-	130	300	μs

Note 1: Parameter is guaranteed by design and characterization. Not 100% tested in production.

Note2: AV9107C-13 with the power down pin low (active).

Note3: Absolute jitter measured as the shortest and longest period difference to the mean period of the sample set.



AV9107C-13

Electrical Characteristics at 3.3V

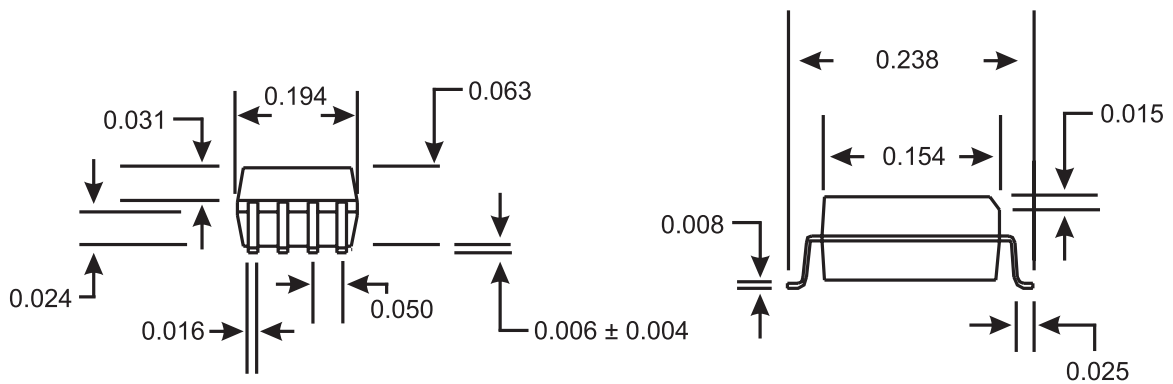
Operating $V_{DD} = +3.0V$ to $+3.7V$; $T_A = 0^{\circ}C$ to $70^{\circ}C$ unless otherwise stated

DC Characteristics						
PARAMETER	SYMBOL	TEST CONDITIONS	MIN	TYP	MAX	UNITS
Input Low Voltage	V_{IL}		-	-	$0.20V_{DD}$	V
Input High Voltage	V_{IH}		$0.7V_{DD}$	-	-	V
Input Low Current, Note1	I_{IL}	$V_{IN}=0V$	-	2.5	7.0	μA
Input High Current, Note 1	I_{IH}	$V_{IN}=V_{DD}$	-2.0	-	2.0	μA
Output Low Voltage, Note 1	V_{OL}	$I_{OL}=6mA$	-	0.15	$0.1xV_{DD}$	V
Output High Voltage, Note 1	V_{OH}	$I_{OH}=-5mA$	$0.85xV_{DD}$	$0.92xV_{DD}$	-	V
Output Low Current, Note 1	I_{OL}	$V_{OL}=0.2V_{DD}$	15.0	22.0	-	mA
Output High Current, Note 1	I_{OH}	$V_{OL}=0.7V_{DD}$	-	-17.0	-10.0	mA
Supply Current, Note 1	I_{DD}	Unloaded	-	11.0	25.0	mA
Standby Supply Current, Notes 1, 2	$I_{DDSTDBY}$		-	13.0	40.0	μA
Output Frequency Change over Supply and Temperature, Note1	F_d	With respect to typical frequency	-	0.002	0.01	%
Pull-up Resistor, Note 1	R_{pu}	$V_{IN} = V_{DD} - 0.5V$	-	0.55	1.0	M ohms
AC Characteristics						
Rise Time 20% to 80% VDD, Note 1	T_r	15pF load	-	2.0	3.4	ns
Fall Time 80% to 20% VDD, Note 1	T_f	15pF load	-	1.2	2.2	ns
Duty Cycle, Note 1	D_t	15pF load @ 50%	42	-	52	%
Jitter, One Sigma, Note 1	T_{jis}	10,000 samples	-	40.0	120.0	ps
Jitter, Absolute, Notes 1, 3	T_{jab}	10,000 samples	500.0	200	500.0	ps
Input Frequency, Note 1	F_i		12	20	25	MHz
Output Frequency, Note 1	F_o	Clock1	24	40	50	MHz
Power-up Time, Note 1	T_{pu}		-	265	500	μs

Note 1: Parameter is guaranteed by design and characterization. Not 100% tested in production.

Note2: AV9107C-13 with the power down pin low (active).

Note3: Absolute jitter measured as the shortest and longest period difference to the mean period of the sample set.



8-Pin Plastic SOIC Package

Ordering Information

AV9107C-13CS08

Example:

XXX XXXX-PPP M X#W

