

SUPPLY VOLTAGE MONITOR

ZM33164

ISSUE 2 – NOVEMBER 1995

DEVICE DESCRIPTION

The ZM33164 is a three terminal under voltage monitor circuit for use in microprocessor systems. The threshold voltage of the device has been set to 4.3volts making it ideal for 5 volt circuits.

Included in the device is a precise voltage reference and a comparator with built in hysteresis to prevent erratic operation. The ZM33164 features an open collector output capable of sinking at least 10mA which only requires a single external resistor to interface to following circuits.

Operation of the device is guaranteed from one volt upwards, from this level to the device threshold voltage the output is held low providing a power on reset function. Should the supply voltage, once established, at any time drop below the threshold level then the output again will pull low.

The device is available in a TO92 package for through hole applications as well as SO8 and SOT223 for surface mount requirements.

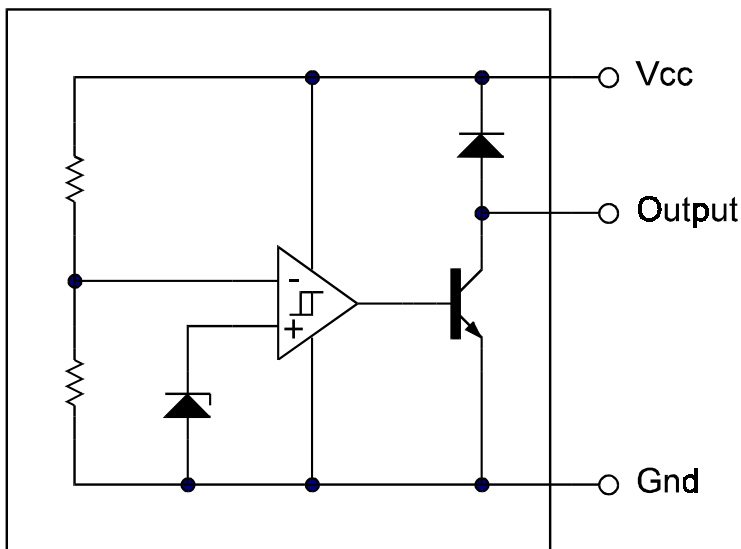
FEATURES

- SO8, SOT223 and TO92 packages
- Power on reset generator
- Automatic reset generation
- Low standby current
- Guaranteed operation from 1 volt
- Wide supply voltage range
- Internal clamp diode to discharge delay capacitor
- 4.3 volt threshold for 5 volt logic
- 60mV hysteresis prevents erratic operation

APPLICATIONS

- Microprocessor systems
- Computers
- Computer peripherals
- Instrumentation
- Automotive
- Battery powered equipment

SCHEMATIC DIAGRAM



ZM33164

ABSOLUTE MAXIMUM RATING

Input Supply Voltage	-1 to 12V
Offstate Output Voltage	12V
Onstate Output	
Sink Current(Note 1)	Internally limited
Clamp diode	
Forward Current(Note 1)	100mA
Operating junction temperature	150°C
Operating Temperature	-40 to 85°C
Storage Temperature	-65 to 150°C

Power Dissipation

TO92	780mW
SOT223	2W(Note 2)
SO8	780mW(Note 2)

TEST CONDITIONS

($T_{amb}=25^{\circ}\text{C}$ for typical values, $T_{amb}=-40$ to 85°C for min/max values (Note3))

COMPARATOR

PARAMETER	SYMBOL	MIN	TYP.	MAX.	UNITS
Threshold Voltage High state output (V_{cc} increasing)	V_{IH}	4.15	4.33	4.45	V
Threshold Voltage Low state output (V_{cc} decreasing)	V_{IL}	4.15	4.27	4.45	V
Hysteresis	V_H	0.02	0.06		V

OUTPUT

Output sink saturation: ($V_{cc}=4.0\text{V}$, $I_{sink}=8.0\text{mA}$) ($V_{cc}=4.0\text{V}$, $I_{sink}=2.0\text{mA}$) ($V_{cc}=1.0\text{V}$, $I_{sink}=0.1\text{mA}$)	V_{OL}		0.46 0.15	1.0 0.4 0.25	V V V
Onstate output sink current (V_{cc} , Output=4V)	I_{sink}	10	20	50	mA
Offstate output leakage current (V_{cc} , Output=5V)	I_{oh}		0.02	0.5	μA
Clamp diode forward voltage ($I_f=10\text{mA}$)	V_f	0.6	1.2	1.5	V
Propagation delay (V_{in} 5V to 4V, $R_I=10\text{k}$, $T_{amb}=25^{\circ}\text{C}$)	T_d		2.0		μs

TOTAL DEVICE

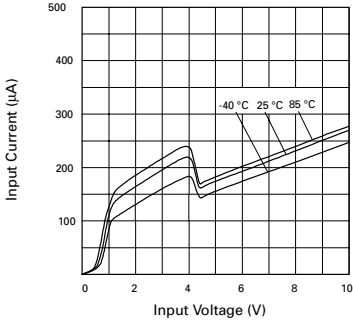
Operating input voltage range	V_{cc}	1.0 to 10			V
Quiescent input current ($V_{cc}=5\text{V}$)	I_q		175	260	μA

Note:

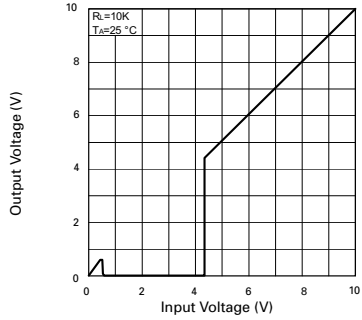
1. Maximum package power dissipation must be observed
2. Maximum power dissipation, for the SOT223 and SO8 packages, is calculated assuming that the device is mounted on a PCB measuring 2 inches square.
3. Low duty cycle pulse techniques are used during test to maintain junction temperatures as close to ambient as possible

ZM33164

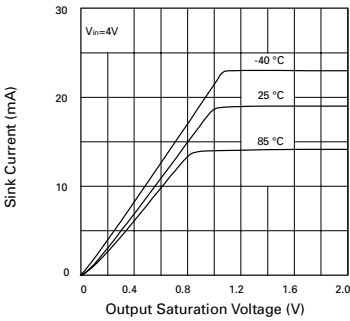
TYPICAL CHARACTERISTICS



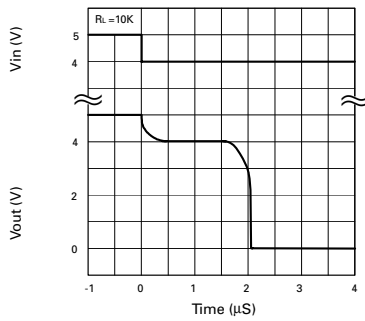
Input Current vs. Input Voltage



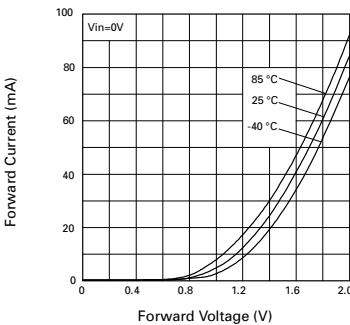
Output Voltage vs. Input Voltage



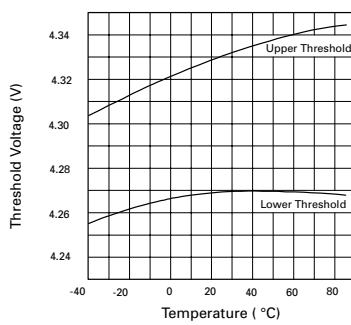
Output Saturation Voltage vs. Sink Current



Reset Delay Time



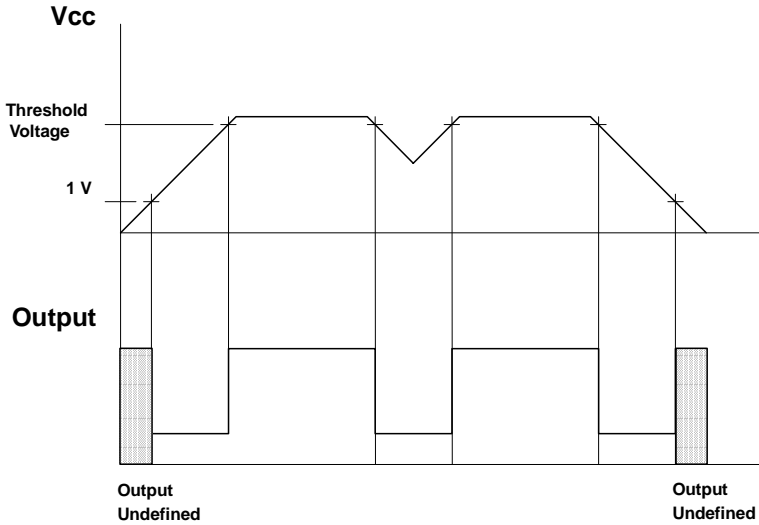
Clamp Diode Forward Current vs. Voltage



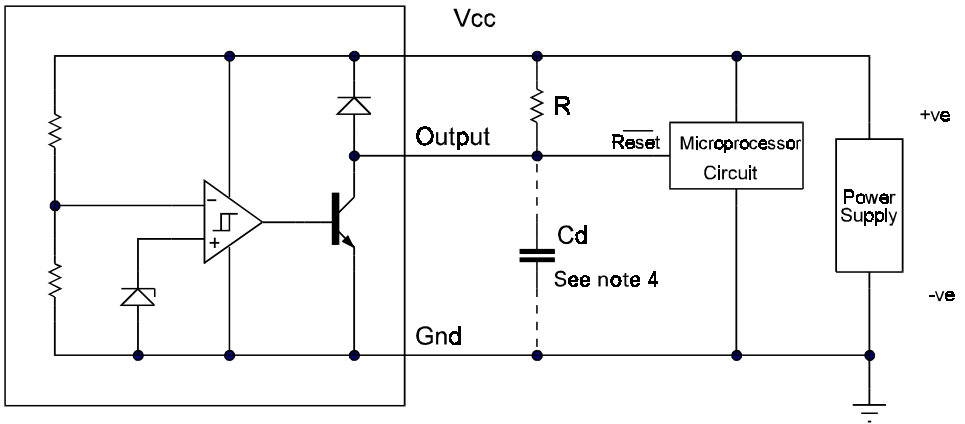
Threshold Voltage vs. Temperature

ZM33164

TIMING DIAGRAM



APPLICATION CIRCUIT



Note 4: A time delayed reset can be accomplished with the additional Cd.

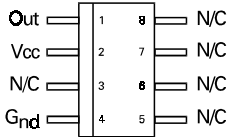
$$T_{DY} = RCd \ln \left(\frac{1}{1 - \frac{V_{TH(mpu)}}{V_{in}}} \right)$$

T_{DY} =Time (Seconds)
 V_{TH} =Microprocessor Reset Threshold
 V_{in} =Power Supply Voltage

ZM33164

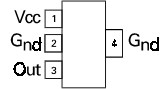
CONNECTION DIAGRAMS

SO8 Package Suffix – N8



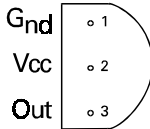
Top View

SOT223 Package Suffix – G



Top View –
Pin 4 floating or connected to pin 2

TO92 Package Suffix – C



Bottom View

ORDERING INFORMATION

Part Number	Package	Part Mark
ZM33164N8	SO8	ZM33164
ZM33164G	SOT223	ZM33164
ZM33164C	TO92	ZM33164