

Advance Information
Photoelectric Smoke Detector
with I/O
For Line-Powered Applications

The CMOS MC145011 is an advanced smoke detector component containing sophisticated very-low-power analog and digital circuitry. The IC is used with an infrared photoelectric chamber. Detection is accomplished by sensing scattered light from minute smoke particles or other aerosols. When detection occurs, a pulsating alarm is sounded via on-chip push-pull drivers and an external piezoelectric transducer.

The variable-gain photo amplifier allows direct interface to IR detectors (photo-diodes). Two external capacitors C1 and C2, C1 being the larger, determine the gain settings. Low gain is selected by the IC during most of the standby state. Medium gain is selected during a local-smoke condition. High gain is used during pushbutton test. During standby, the special monitor circuit which periodically checks for degraded chamber sensitivity uses high gain, also.

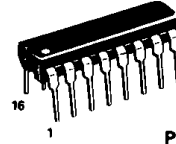
The I/O pin, in combination with V_{SS} , can be used to interconnect up to 40 units for common signaling. An on-chip current sink provides noise immunity when the I/O is an input. A local-smoke condition activates the short-circuit-protected I/O driver, thereby signaling remote smoke to the interconnected units. Additionally, the I/O pin can be used to activate escape lights, enable auxiliary or remote alarms, and/or initiate auto-dialers.

While in standby, the low-supply detection circuitry conducts periodic checks using a load current from the LED pin. The trip point is set using two external resistors. The supply for the MC145011 must be a dc power source capable of supplying 35 mA continuously and 45 mA peak. When the MC145011 is in standby, an external LED is continuously illuminated to indicate that the device is receiving power.

An extinguished LED accompanied by a pulsating audible alarm indicates a local-smoke condition. A pulsating audible alarm with the LED illuminated indicates a remote-smoke condition. A beep or chirp indicates a low-supply condition or degraded chamber sensitivity. A low-supply condition does not affect the smoke detection capability if $V_{DD} \geq 6$ V. Therefore, the low-supply condition and degraded chamber sensitivity can be distinguished by performing a pushbutton (chamber) test.

- Complies with the UL217 and UL268 Specifications
- Operating Voltage Range: 6 to 12 V
- Operating Temperature Range: -10 to 60°C
- Average Standby Supply Current (Visible LED Illuminated): 20 mA
- Power-On Reset Places IC in Standby Mode (Non-Alarm State)
- Electrostatic Discharge (ESD) and Latch Up Protection Circuitry on All Pins
- Chip Complexity: 2000 FETs, 12 NPNs, 16 Resistors, and 10 Capacitors

MC145011



P SUFFIX
PLASTIC DIP
CASE 648

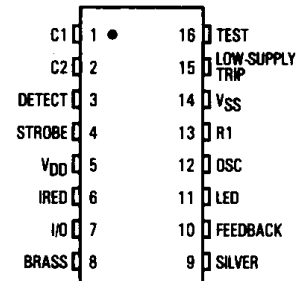


DW SUFFIX
PLASTIC SOG
CASE 751G

ORDERING INFORMATION

MC145011P Plastic DIP
 MC145011DW SOG Package

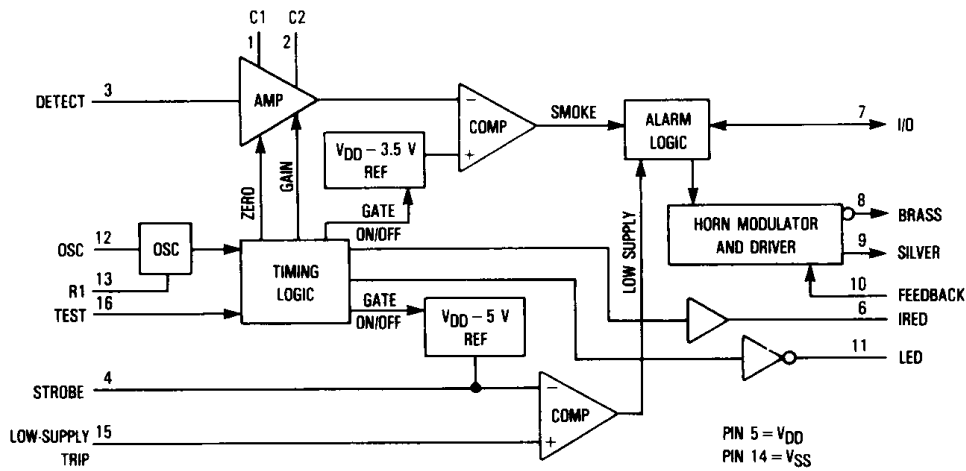
PIN ASSIGNMENT



7

This document contains information on a new product. Specifications and information herein are subject to change without notice.

BLOCK DIAGRAM



MAXIMUM RATINGS* (Voltages Referenced to VSS)

| Symbol | Parameter | Value | Unit |
|------------------|---|---|------|
| V _{DD} | DC Supply Voltage | -0.5 to +12.0 | V |
| V _{in} | DC Input Voltage | -0.25 to V _{DD} + 0.25 -0.25 to V _{DD} + 0.25 -0.25 to V _{DD} + 10 -15 to +25 -1.0 to V _{DD} + 0.25 | V |
| I _{in} | DC Input Current, per Pin | ± 10 | mA |
| I _{out} | DC Output Current, per Pin | ± 25 | mA |
| I _{DD} | DC Supply Current, V _{DD} and V _{SS} Pins | +25/ -150 | mA |
| P _D | Power Dissipation in Still Air, 5 seconds Continuous | 1200 [†] 350* | mW |
| T _{stg} | Storage Temperature | -55 to +125 | °C |
| T _L | Lead Temperature, 1 mm from Case for 10 seconds | 260 | °C |

This device contains protection circuitry to guard against damage due to high static voltages or electric fields. However, precautions must be taken to avoid applications of any voltage higher than maximum rated voltages to this high-impedance circuit. For proper operation, V_{in} and V_{out} should be constrained to the range V_{SS} ≤ (V_{in} or V_{out}) ≤ V_{DD} except for the I/O, which can exceed V_{DD}, and the Test input, which can go below V_{SS}.
Unused inputs must always be tied to an appropriate logic voltage level (e.g., either V_{SS} or V_{DD}). Unused outputs and/or an unused I/O must be left open.

*Maximum Ratings are those values beyond which damage to the device may occur. Functional operation should be restricted to the limits in the Electrical Characteristics tables.

[†]Derating: -12 mW/°C from 25° to 60°C.

*Derating: -3.5 mW/°C from 25° to 60°C.

7

MC145011

ELECTRICAL CHARACTERISTICS ($T_A = -10$ to 60°C Unless Otherwise Indicated, Voltages Referenced to V_{SS})

| Symbol | Parameter | Test Condition | V_{DD} V | Min | Max | Unit | |
|-----------|---|---|---|------|-----------------|-----------------|---------------|
| V_{DD} | Power Supply Voltage Range | | — | 6 | 12 | V | |
| V_{TH} | Supply Threshold Voltage, Low-Supply Alarm | Low-Supply Trip: $V_{in} = V_{DD}/3$ | — | 6.5 | 7.8 | V | |
| I_{DD} | Average Operating Supply Current, Excluding the Visible LED Current (per Package) | Standby Configured per Fig. 5 | 12.0 | — | 12 | μA | |
| i_{DD} | Peak Supply Current, Excluding the Visible LED Current (per Package) | During Strobe On, IRED Off Configured per Fig. 5 | 12.0 | — | 2.0 | mA | |
| | | During Strobe On, IRED On Configured per Fig. 5 | 12.0 | — | 3.0 | | |
| V_{IL} | Low-Level Input Voltage | I/O | 9.0 | — | 1.5 | V | |
| | | Feedback | 9.0 | — | 2.7 | | |
| | | Test | 9.0 | — | 7.0 | | |
| V_{IH} | High-Level Input Voltage | I/O | 9.0 | 3.2 | — | V | |
| | | Feedback | 9.0 | 6.3 | — | | |
| | | Test | 9.0 | 8.5 | — | | |
| I_{in} | Input Current | Osc, Detect | $V_{in} = V_{SS}$ or V_{DD} | 12.0 | — | ± 100 | nA |
| | | Low-Supply Trip | $V_{in} = V_{SS}$ or V_{DD} | 12.0 | — | ± 100 | |
| | | Feedback | $V_{in} = V_{SS}$ or V_{DD} | 12.0 | — | ± 100 | |
| I_{IL} | Low-Level Input Current | Test | $V_{in} = V_{SS}$ | 12.0 | — | -1 | μA |
| I_{IH} | Pull-Down Current | Test | $V_{in} = V_{DD}$ | 9.0 | 0.5 | 10 | μA |
| | | I/O | No Local Smoke, $V_{in} = V_{DD}$ | 9.0 | 25 | 100 | |
| | | | No Local Smoke, $V_{in} = 17\text{ V}$ | 12.0 | — | 140 | |
| V_{OL} | Low-Level Output Voltage | LED | $I_{out} = 10\text{ mA}$ | 6.5 | — | 0.6 | V |
| | | Silver, Brass | $I_{out} = 16\text{ mA}$ | 6.5 | — | 1.0 | |
| V_{OH} | High-Level Output Voltage | Silver, Brass | $I_{out} = -16\text{ mA}$ | 6.5 | 5.5 | — | V |
| V_{out} | Output Voltage (For Line Regulation, see Pin Descriptions) | Strobe | Inactive, $I_{out} = -1\text{ }\mu\text{A}$ | — | $V_{DD} - 0.1$ | — | V |
| | | | Active, $I_{out} = 100\text{ }\mu\text{A}$ to $500\text{ }\mu\text{A}$ (Load Regulation) | 9.0 | $V_{DD} - 4.4$ | $V_{DD} - 5.6$ | |
| | | IRED | Inactive, $I_{out} = 1\text{ }\mu\text{A}$ | — | — | 0.1 | |
| | | | Active, $I_{out} = 6\text{ mA}$ (Load Regulation) | 9.0 | 2.25* | 3.75* | |
| I_{OH} | High-Level Output Current | I/O | Local Smoke, $V_{out} = 4.5\text{ V}$ | 6.5 | -4 | — | mA |
| | | | Local Smoke, $V_{out} = V_{SS}$ (Short Circuit Current) | 12.0 | — | -16 | |
| I_{OZ} | Off-State Output Leakage Current | LED | $V_{out} = V_{SS}$ or V_{DD} | 12.0 | — | ± 1 | μA |
| V_{IC} | Common Mode Voltage Range | C1, C2, Detect | Local Smoke, Pushbutton Test, or Chamber Sensitivity Test | — | $V_{DD} - 4$ | $V_{DD} - 2$ | V |
| V_{ref} | Smoke Comparator Reference Voltage | Internal | Local Smoke, Pushbutton Test, or Chamber Sensitivity Test | — | $V_{DD} - 3.08$ | $V_{DD} - 3.92$ | V |

* $T_A = 25^\circ\text{C}$ only.

7

MC145011

AC ELECTRICAL CHARACTERISTICS (Reference Timing Diagram Figures 3 and 4)
 (T_A = 25°C, V_{DD} = 9.0 V, Component Values from Figure 5: R1 = 100.0 KΩ, C3 = 1500.0 pF, R2 = 10.0 MΩ)

| No. | Symbol | Parameter | Test Condition | Min | Max | Unit |
|--------|-----------------------------------|---|---|--------------|-------|------|
| 1 | 1/f _{osc} | Oscillator Period | Free-Running Sawtooth Measured at Pin 12 | 9.5 | 11.5 | ms |
| 2 | t _{LED} | LED Status | No Local Smoke, and No Remote Smoke | Illuminated | | |
| 3 | | | Remote Smoke, but No Local Smoke | Illuminated | | |
| 4 | | | Local Smoke or Pushbutton Test | Extinguished | | |
| 5 | t _{w(stb)} | Strobe Pulse Width | | 9.5 | 11.5 | ms |
| 6 | t _{IRED} | IRED Pulse Period | Smoke Test | 9.67 | 11.83 | s |
| 7 | | | Chamber Sensitivity Test, without Local Smoke | 38.9 | 47.1 | |
| 8 | | | Pushbutton Test | 0.302 | 0.370 | |
| 9 | t _{w(IRED)} | IRED Pulse Width | | 94 | 116 | μs |
| 10 | t _r | IRED Rise Time | | — | 30 | μs |
| | t _f | IRED Fall Time | | — | 200 | |
| 11 | t _{mod} | Silver and Brass Modulation Period | Local or Remote Smoke | 297 | 363 | ms |
| 11, 12 | t _{on} /t _{mod} | Silver and Brass Duty Cycle | Local or Remote Smoke | 73 | 77 | % |
| 13 | t _{CH} | Silver and Brass Chirp Pulse Period | Low Supply or Degraded Chamber Sensitivity | 38.9 | 47.1 | s |
| 14 | t _{w(CH)} | Silver and Brass Chirp Pulse Width | Low Supply or Degraded Chamber Sensitivity | 9.5 | 11.5 | ms |
| 15 | t _{RR} | Rising Edge on I/O to Smoke Alarm Response Time | Remote Smoke, No Local Smoke | — | 800 | ms |
| 16 | t _{stb} | Strobe Pulse Period | Smoke Test | 9.67 | 11.83 | s |
| 17 | | | Chamber Sensitivity Test, without Local Smoke | 38.9 | 47.1 | |
| 18 | | | Low Supply Test, without Local Smoke | 38.9 | 47.1 | |
| 19 | | | Pushbutton Test | 0.302 | 0.370 | |

7

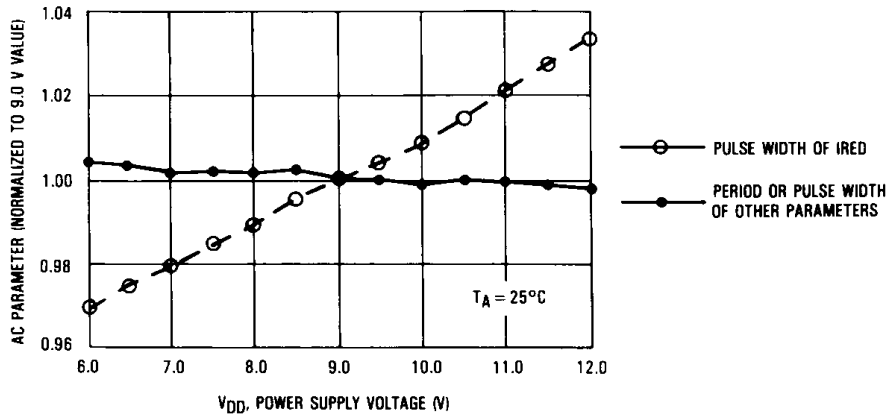
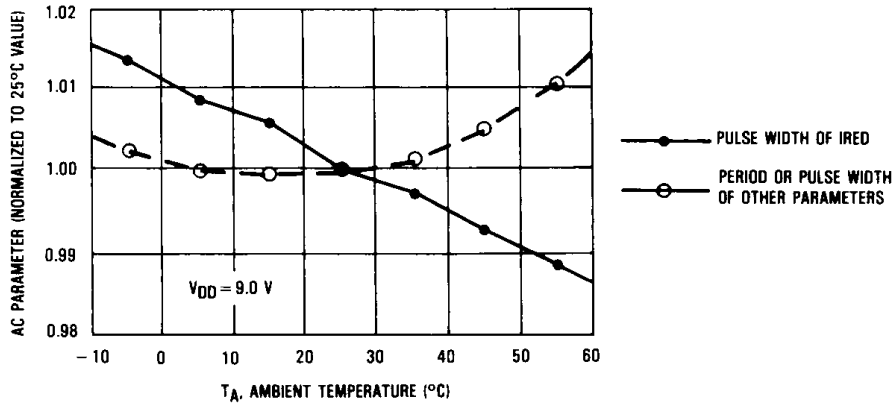
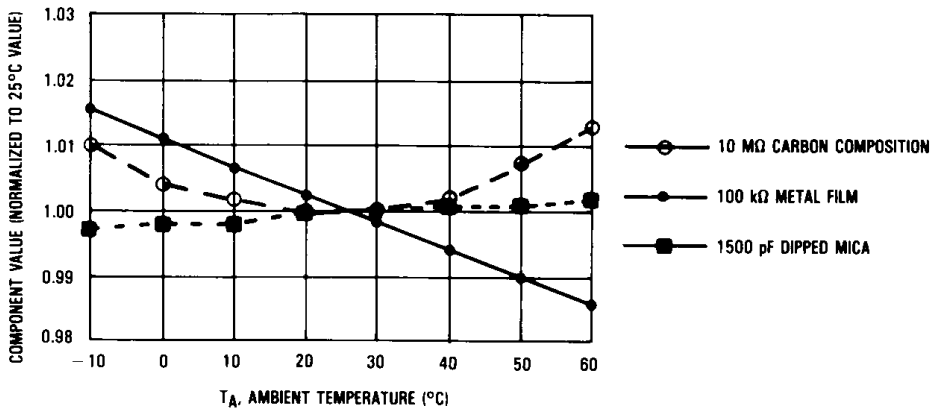


Figure 1. AC Characteristics versus Supply



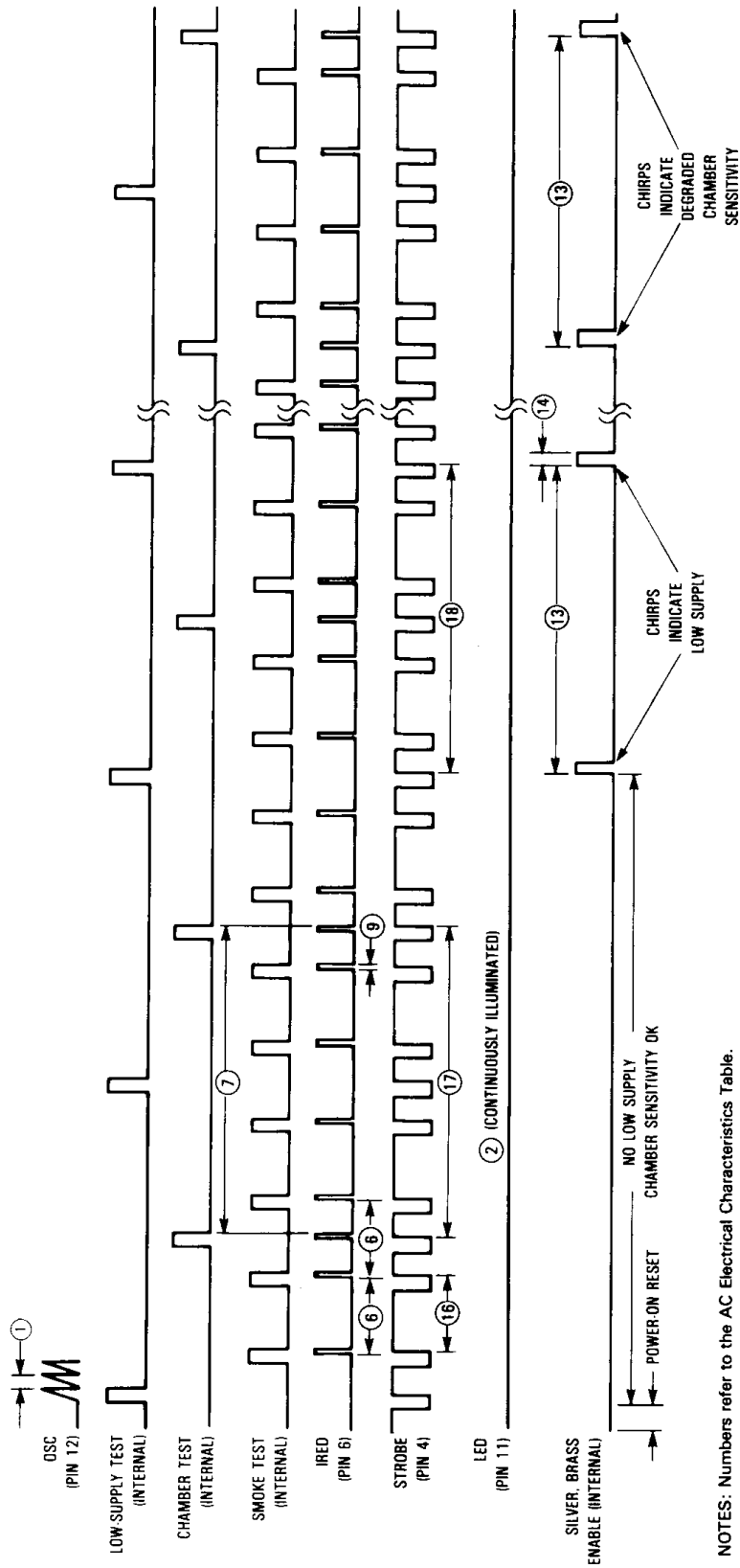
NOTE: Includes external component variations. See Figure 2B.

Figure 2A. AC Characteristics versus Temperature



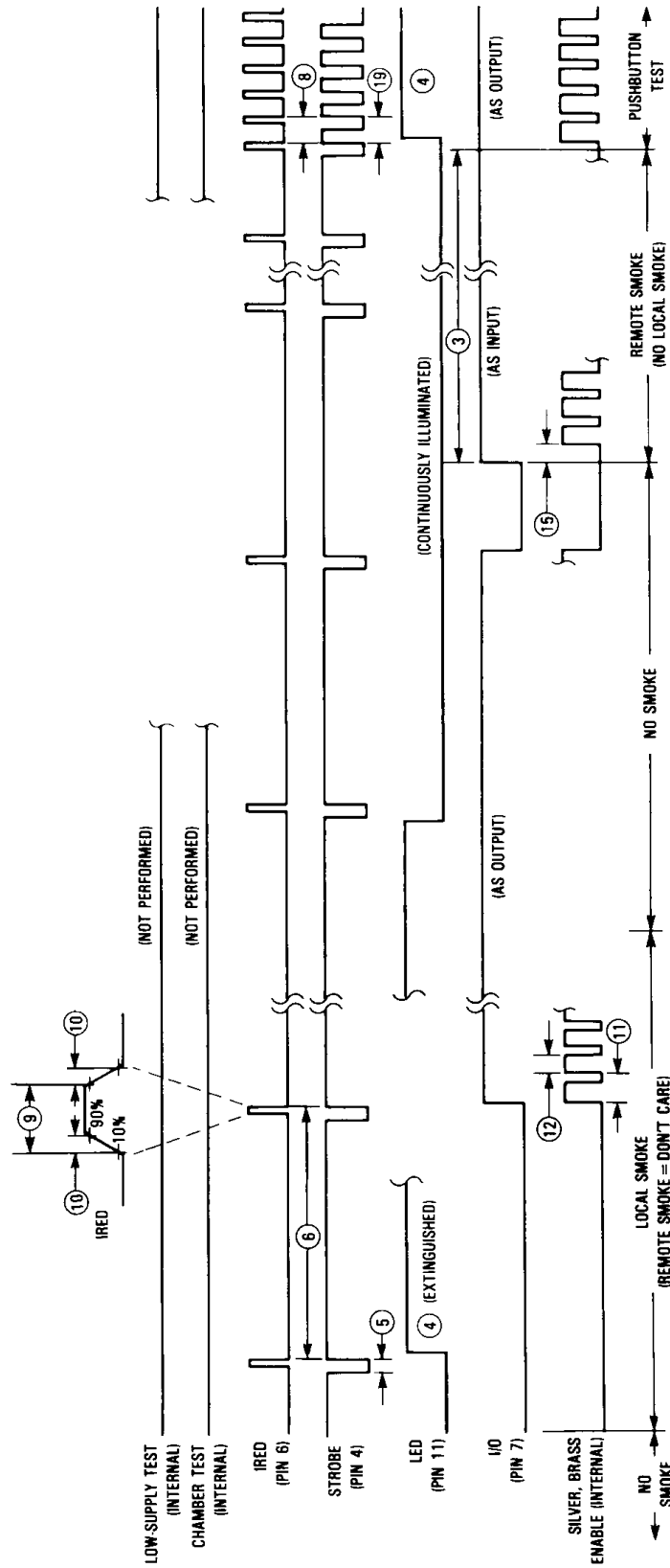
NOTE: These components were used to generate Figure 2A.

Figure 2B. RC Component Variation Over Temperature



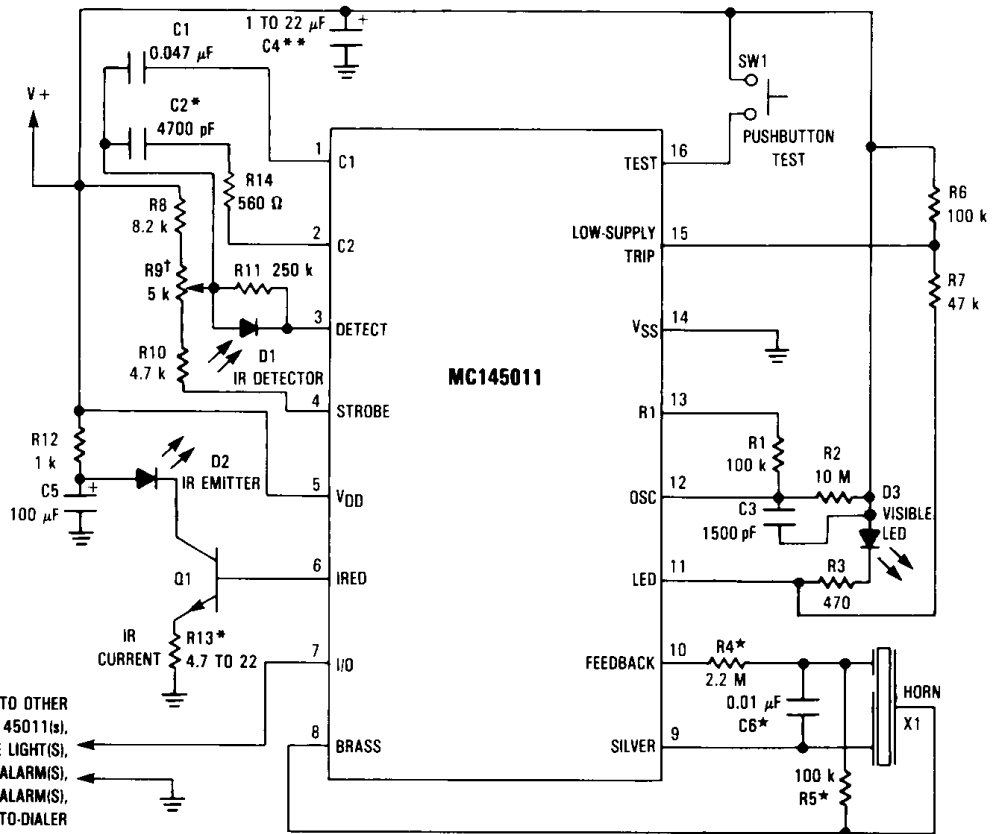
NOTES: Numbers refer to the AC Electrical Characteristics Table. Illustration is not to scale.

Figure 3. Standby Timing Diagram



NOTES: Numbers refer to the AC Electrical Characteristics Table. Illustration is not to scale.

Figure 4. Smoke Timing Diagram



- * Values for R4, R5, and C6 may differ depending on type of piezoelectric horn used.
- * C2 and R13 are used for coarse sensitivity adjustment. Typical values are shown.
- † R9 is for fine sensitivity adjustment (optional). If fixed resistors are used, R8 = 12 k, R10 is 5.6 k to 10 k, and R9 is eliminated. When R9 is used, noise pickup is increased due to antenna effects. Shielding may be required.
- ** C4 should be 22 μF if supply line resistance is high (up to 50 Ω). C4 could be reduced to 1 μF when supply line resistance < 30 Ω.

Figure 5. Application

Table 1. Suppliers of Ancillary Components

| Reference | Part Number | Description | Supplier | Contact information |
|-----------|-------------|--|--|--|
| D1 | MRD821 | Photodiode Detector | Motorola Semiconductor Products Sector | Phone: 1-800-521-6274 or contact your local Motorola Semiconductor Sales Office |
| D2 | MLED81 | Infrared Emitting Diode (IRED) | Motorola Semiconductor Products Sector | |
| D3 | — | Light Emitting Diode (LED) | General Instruments, Optoelectronics Div.* | Phone: (415) 493-0400 TWX/TLX: 470208 FAX: (415) 493-7055 |
| | | | Hewlett-Packard, Components Group* | Contact your local H-P Components Sales Office |
| | | | Wilbrecht Electronics, LEDCO Div.* | Phone: (612) 222-2791 TWX: (910) 563-3679 FAX: (612) 222-7639 |
| Q1 | MPS2222 | TO-92 Plastic } NPN Transistor, SOT-23 Surface Mount } $\beta \geq 100$ | Motorola Semiconductor Products Sector | (see above) |
| | MMBT2222 | | | |
| X1 | — | Piezoelectric Audio Transducer | Motorola Components Div. | Phone: (505) 822-8801 TLX: 4999100 FAX: (505) 822-8801, x265 |

*Motorola cannot recommend one supplier over another and in no way suggests that this is a complete listing of LED suppliers.

PIN DESCRIPTIONS

C1 (PIN 1)

A capacitor connected to this pin as shown in Figure 5 determines the gain of the on-chip photo amplifier during pushbutton test and chamber sensitivity test (high gain). The capacitor value is chosen such that the alarm is tripped from background reflections in the chamber during pushbutton test.

$A_V \approx 1 + (C1/10)$ where C1 is in pF. CAUTION: The value of the closed-loop gain should not exceed 10,000.

C2 (PIN 2)

A capacitor connected to this pin as shown in Figure 5 determines the gain of the on-chip photo amplifier except during pushbutton or chamber sensitivity tests.

$A_V \approx 1 + (C2/10)$ where C2 is in pF. This gain increases about 10% during the IRED pulse, after two consecutive local smoke detections.

Resistor R14 must be installed in series with C2. $R14 \approx [1/(12\sqrt{C2})] - 680$ where R14 is in ohms and C2 is in farads.

DETECT (PIN 3)

This input to the high-gain pulse amplifier is tied to the cathode of an external photodiode. The photodiode should have low capacitance and low dark leakage current. The diode must be shunted by a load resistor and is operated at zero bias.

The Detect input must be ac/dc decoupled from all other signals, V_{DD} , and V_{SS} . Lead length and/or foil traces to this pin must be minimized, also. See Figure 6.

STROBE (PIN 4)

This output provides a strobed, regulated voltage referenced to V_{DD} . The temperature coefficient of this voltage is $\pm 0.2\%$ / °C maximum from -10° to 60°C . The supply-voltage coefficient (line regulation) is $\pm 0.2\%$ / V maximum from 6 to 12 V. Strobe is tied to external resistor string R8, R9, and R10.

 V_{DD} (PIN 5)

This pin is connected to the positive supply potential and may range from +6 to +12 V with respect to V_{SS} .

IRED (PIN 6)

This output provides pulsed base current for external NPN transistor Q1 used as the infrared emitter driver. Q1 must have $\beta \geq 100$. At 10 mA, the temperature coefficient of the output voltage is typically $+0.5\%$ / °C from -10° to 60°C . The supply-voltage coefficient (line regulation) is $\pm 0.2\%$ / V maximum from 6 to 12 V. The IRED pulse width (active-high) is determined by external components R1 and C3. With a 100 k Ω / 1500 pF combination, the nominal width is 105 μs .

To minimize noise impact, IRED is not active when the visible LED and horn outputs are active. IRED is active near the end of Strobe pulses for Smoke Tests, Chamber Sensitivity Test, and Pushbutton Test.

I/O (PIN 7)

This pin can be used to connect up to 40 units together in a wired-OR configuration for common signaling. V_{SS} is used as the return. An on-chip current sink minimizes noise pick up during non-smoke conditions and eliminates the need for

an external pull-down resistor to complete the wired-OR. Remote units at lower supply voltages do not draw excessive current from a sending unit at a higher supply voltage.

I/O can also be used to activate escape lights, auxiliary alarms, remote alarms, and/or auto-dialers.

As an input, this pin feeds a positive-edge-triggered flip-flop whose output is sampled nominally every 625 ms during standby (using the recommended component values). A local-smoke condition or the pushbutton-test mode forces this current-limited output to source current. All input signals are ignored when I/O is sourcing current.

I/O is disabled by the on-chip power-on reset to eliminate nuisance signaling during battery changes or system power up.

If unused, I/O must be left unconnected.

BRASS (PIN 8)

This half of the push-pull driver output is connected to the metal support electrode of a piezoelectric audio transducer and to the horn-starting resistor. A continuous modulated tone from the transducer is a smoke alarm indicating either local or remote smoke. A short beep or chirp is a trouble alarm indicating a low supply or degraded chamber sensitivity.

SILVER (PIN 9)

This half of the push-pull driver output is connected to the ceramic electrode of a piezoelectric transducer and to the horn-starting capacitor.

FEEDBACK (PIN 10)

This input is connected to both the feedback electrode of a self-resonating piezoelectric transducer and the horn-starting resistor and capacitor through current-limiting resistor R4. If unused, this pin must be tied to V_{SS} or V_{DD} .

LED (PIN 11)

This active-low open-drain output directly drives an external visible LED.

The load for the low-supply test is applied by this output. This low-supply test is non-coincident with the smoke tests, chamber sensitivity test, pushbutton test, or any alarm signals.

The LED also provides a visual indication of the detector status as follows, assuming the component values shown in Figure 5:

- Standby (includes low-supply and chamber sensitivity tests)—constantly illuminated
- Local Smoke—constantly extinguished
- Remote Smoke—constantly illuminated
- Pushbutton Test—constantly extinguished (system OK)
constantly illuminated (system problem)

OSC (PIN 12)

This pin is used in conjunction with external resistor R2 (10 M Ω) to V_{DD} and external capacitor C3 (1500 pF) to V_{DD} to form an oscillator with a nominal period of 10.5 ms.

R1 (PIN 13)

This pin is used in conjunction with resistor R1 (100 k Ω) to pin 12 and C3 (1500 pF, see pin 12 description) to determine the IRED pulse width. With this RC combination, the nominal pulse width is 105 μs .

MC145011

V_{SS} (PIN 14)

This pin is the negative supply potential and the return for the I/O pin. Pin 14 is usually tied to ground.

LOW-SUPPLY TRIP (PIN 15)

This pin is connected to an external voltage which determines the low-supply alarm threshold. The trip voltage is obtained through a resistor divider connected between the V_{DD} and LED pins. The low-supply alarm threshold voltage (in volts) $\approx (5R7/R6) + 5$ where R6 and R7 are in the same units.

TEST (PIN 16)

This input has an on-chip pull-down device and is used to manually invoke a test mode.

The *Pushbutton Test* mode is initiated by a high level at pin 16 (usually depression of a S.P.S.T. normally-open pushbutton switch to V_{DD}). After one oscillator cycle, IRED pulses approximately every 336 ms, regardless of the presence of smoke. Additionally, the amplifier gain is increased by automatic selection of C1. Therefore, the background reflections in the smoke chamber may be interpreted as smoke, generating a

simulated-smoke condition. After the second IRED pulse, a successful test activates the horn-driver and I/O circuits. The active I/O allows remote signaling for system testing. When the Pushbutton Test switch is released, the Test input returns to V_{SS} due to the on-chip pull-down device. After one oscillator cycle, the amplifier gain returns to normal, thereby removing the simulated-smoke condition. After two additional IRED pulses, less than a second, the IC exits the alarm mode and returns to standby timing.

CALIBRATION

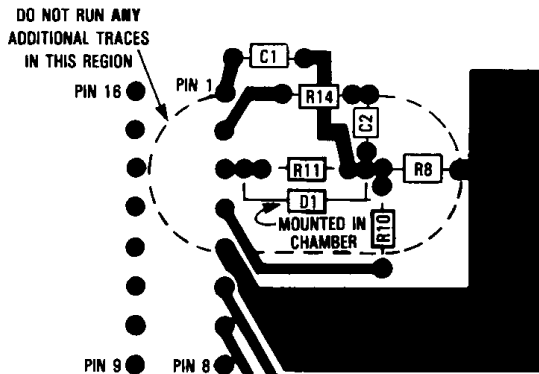
To facilitate checking the sensitivity and calibrating smoke detectors, the MC145011 can be placed in a calibration mode. In this mode, certain device pins are controlled/reconfigured as shown in Table 2. To place the part in the calibration mode, pin 16 (Test) must be pulled below the V_{SS} pin with 100 μ A continuously drawn out of the pin for at least one cycle on the OSC pin. To exit this mode, the Test pin is floated for at least one OSC cycle.

In the calibration mode, the IRED pulse rate is increased to one for every OSC cycle. Also, Strobe is always active low.

Table 2. Configuration of Pins in the Calibration Mode

| Description | Pin | Comment |
|-----------------|-----|---|
| I/O | 7 | Disabled as an output. Forcing this pin high places the photo amp output on pin 1 or 2, as determined by Low-Supply Trip. The amp's output appears as pulses. |
| Low-Supply Trip | 15 | If the I/O pin is high, pin 15 controls which gain capacitor is used. Low: normal gain, amp output on pin 1. High: supervisory gain, amp output on pin 2. |
| Feedback | 10 | Driving this input high enables hysteresis (10% gain increase) in the photo amp; pin 15 must be low. |
| Osc | 12 | Driving this input high brings the internal clock high. Driving the input low brings the internal clock low. If desired, the RC network for the oscillator may be left intact; this allows the oscillator to run similar to the normal mode of operation. |
| Silver | 9 | This pin becomes the smoke comparator output. A high level indicates that smoke has been detected. |
| Brass | 8 | This pin becomes the smoke integrator output. That is, 2 consecutive smoke detections are required for "on" (high level) and 2 consecutive no-detections for "off" (low level). |

7



NOTES: Illustration is bottom view of layout using a DIP. Top view for SOIC layout is mirror image.
 Optional potentiometer R9 is not included.
 Drawing is not to scale.
 Leads on D1, R11, R8, and R10 and their associated traces must be kept as short as possible. This practice minimizes noise pick up.
 Pin 3 must be decoupled from all other traces.

Figure 6. Recommended PCB Layout