

SANYO	No.3974	2SC4735
	NPN Epitaxial Planar Silicon Transistor	
27MHz CB Transceiver Driver Applications		

Features

- Large power type such as $P_C = 1.5W$ when used without heatsink.
- It is possible to make appliances more compact because its height on board is 9.5mm.
- Effective in automatic inserting and counting stocked amount because of being provided for radial taping.

Absolute Maximum Ratings at $T_a = 25^\circ C$

			unit
Collector-to-Base Voltage	V_{CB0}		75 V
Collector-to-Emitter Voltage	V_{CER}	$R_{BE} = 150\Omega$	75 V
	V_{CEO}		45 V
Emitter-to-Base Voltage	V_{EBO}		5 V
Collector Current	I_C		1.0 A
Collector Current (Pulse)	I_{CP}		1.5 A
Base Current	I_B		200 mA
Collector Dissipation	P_C		1.5 W
Junction Temperature	T_j		150 $^\circ C$
Storage Temperature	T_{stg}		-55 to +150 $^\circ C$

Electrical Characteristics at $T_a = 25^\circ C$

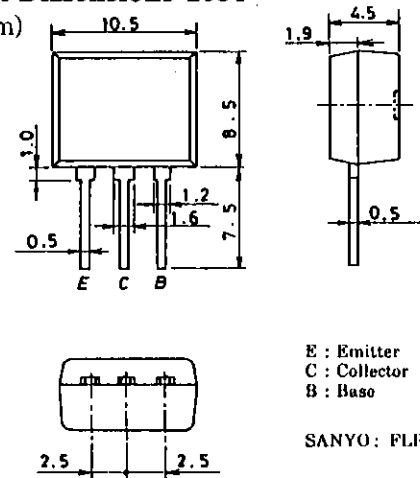
			min	typ	max	unit
Collector Cutoff Current	I_{CBO}	$V_{CB} = 40V, I_E = 0$			1.0	μA
Emitter Cutoff Current	I_{EBO}	$V_{EB} = 4V, I_C = 0$			1.0	μA
DC Current Gain	h_{FE}	$V_{CE} = 5V, I_C = 500mA$	60*		320*	
Gain-Bandwidth Product	f_T	$V_{CE} = 10V, I_C = 50mA$	180	250		MHz
Output Capacitance	C_{ob}	$V_{CB} = 10V, f = 1MHz$		10	20	pF
Output Power	P_O	$V_{CC} = 12V, f = 27MHz, P_i = 35mW$	1.0	1.8		W
Collector Efficiency	η_c	See specified Test Circuit.	60			%
C-E Saturation Voltage	$V_{CE(sat)}$	$I_C = 500mA, I_B = 50mA$		0.2	0.6	V
B-E Saturation Voltage	$V_{BE(sat)}$	$I_C = 500mA, I_B = 50mA$		0.9	1.2	V
C-B Breakdown Voltage	$V_{(BR)CBO}$	$I_C = 10\mu A, I_E = 0$	75			V
C-E Breakdown Voltage	$V_{(BR)CER}$	$I_C = 1mA, R_{BE} = 150\Omega$	75			V
	$V_{(BR)CEO}$	$I_C = 1mA, R_{BE} = \infty$	45			V
E-B Breakdown Voltage	$V_{(BR)EBO}$	$I_C = 10\mu A, I_C = 0$	5			V

*: The 2SC4735 is classified by 500mA h_{FE} as follows:

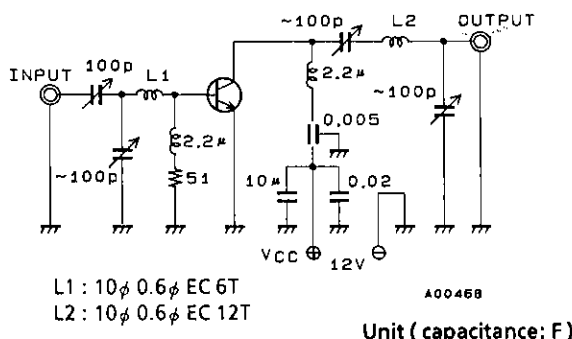
60 D 120	100 E 200	160 F 320
----------	-----------	-----------

Package Dimensions 2084

(unit: mm)

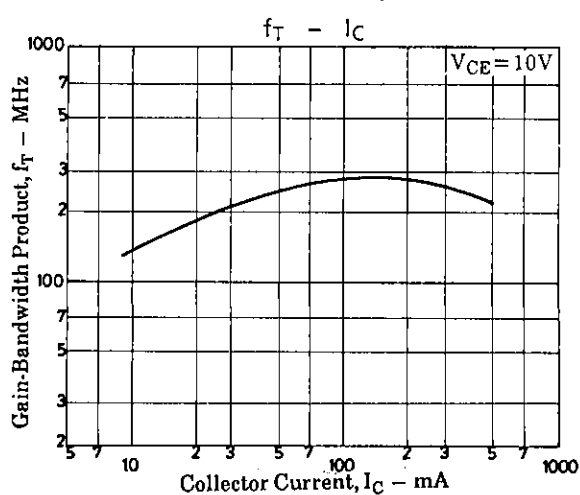
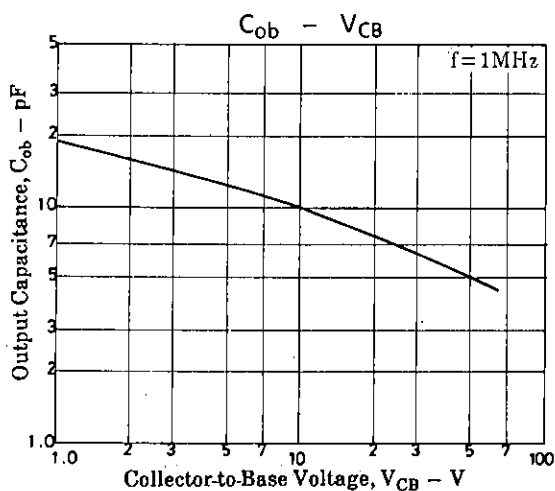
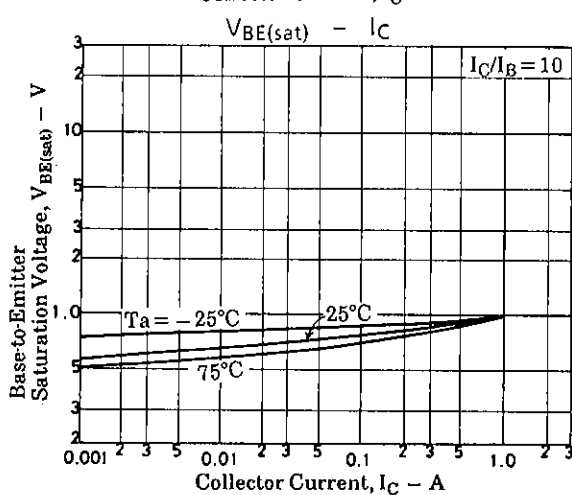
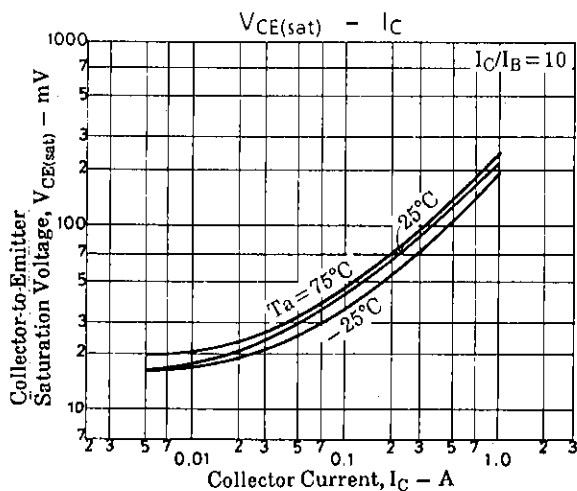
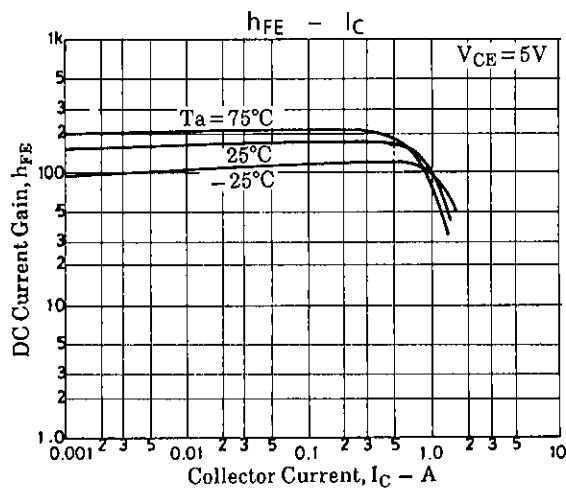
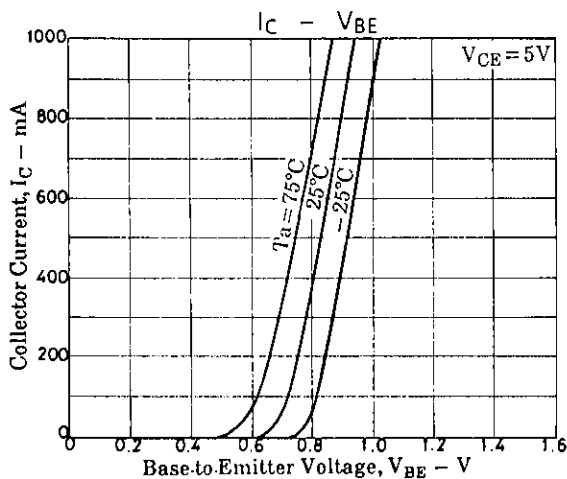
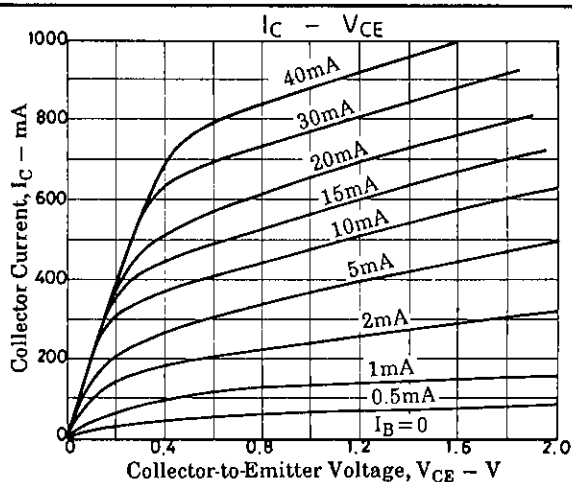
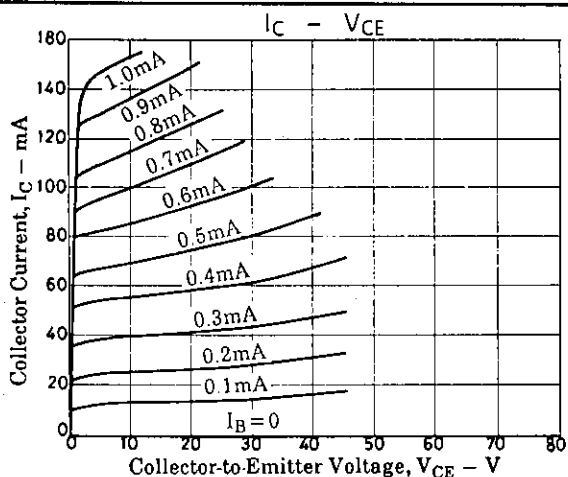


Collector Efficiency Test Circuit

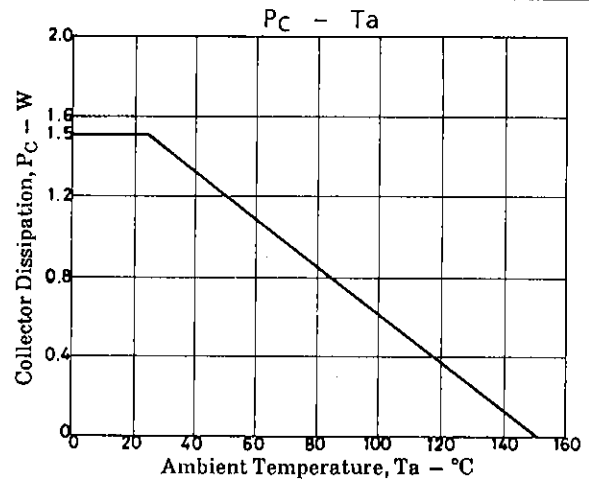
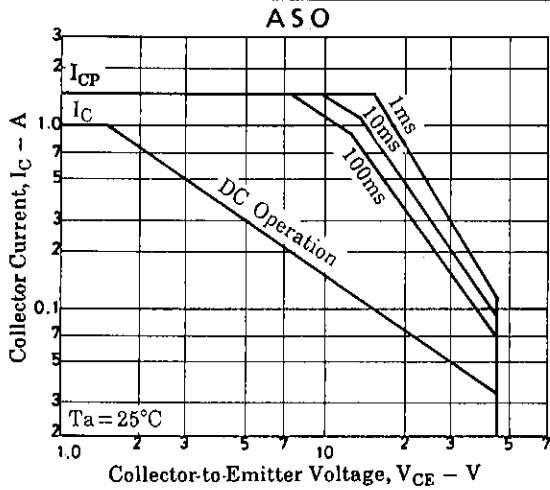


L1: 10φ 0.6φ EC 6T
L2: 10φ 0.6φ EC 12T

2SC4735



2SC4735



- No products described or contained herein are intended for use in surgical implants, life-support systems, aerospace equipment, nuclear power control systems, vehicles, disaster/crime-prevention equipment and the like, the failure of which may directly or indirectly cause injury, death or property loss.
- Anyone purchasing any products described or contained herein for an above-mentioned use shall:
 - ① Accept full responsibility and indemnify and defend SANYO ELECTRIC CO., LTD., its affiliates, subsidiaries and distributors and all their officers and employees, jointly and severally, against any and all claims and litigation and all damages, cost and expenses associated with such use:
 - ② Not impose any responsibility for any fault or negligence which may be cited in any such claim or litigation on SANYO ELECTRIC CO., LTD., its affiliates, subsidiaries and distributors or any of their officers and employees jointly or severally.
- Information (including circuit diagrams and circuit parameters) herein is for example only; it is not guaranteed for volume production. SANYO believes information herein is accurate and reliable, but no guarantees are made or implied regarding its use or any infringements of intellectual property rights or other rights of third parties.