

TOSHIBA TRANSISTOR SILICON NPN EPITAXIAL PLANAR TYPE

# 2SC5088

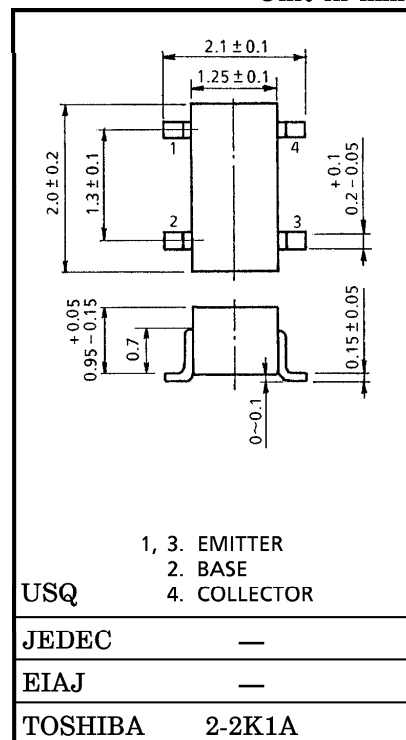
VHF~UHF BAND LOW NOISE AMPLIFIER APPLICATIONS

Unit in mm

- Low Noise Figure, High Gain.
- $NF=1.1dB$ ,  $|S_{21e}|^2=13dB$  ( $f=1GHz$ )

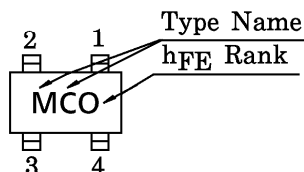
MAXIMUM RATINGS ( $T_a = 25^\circ C$ )

CHARACTERISTIC	SYMBOL	RATING	UNIT
Collector-Base Voltage	$V_{CBO}$	20	V
Collector-Emitter Voltage	$V_{CEO}$	12	V
Emitter-Base Voltage	$V_{EBO}$	3	V
Base Current	$I_B$	40	mA
Collector Current	$I_C$	80	mA
Collector Power Dissipation	$P_C$	100	mW
Junction Temperature	$T_j$	125	$^\circ C$
Storage Temperature Range	$T_{stg}$	-55~125	$^\circ C$



Weight : 0.006g

MARKING



MICROWAVE CHARACTERISTICS ( $T_a = 25^\circ C$ )

CHARACTERISTIC	SYMBOL	TEST CONDITION	MIN.	TYP.	MAX.	UNIT
Transition Frequency	$f_T$	$V_{CE}=10V, I_C=20mA$	5	7	—	GHz
Insertion Gain	$ S_{21e} ^2 (1)$	$V_{CE}=10V, I_C=20mA, f=500MHz$	—	18	—	dB
	$ S_{21e} ^2 (2)$	$V_{CE}=10V, I_C=20mA, f=1GHz$	9.5	13	—	
Noise Figure	NF (1)	$V_{CE}=10V, I_C=5mA, f=500MHz$	—	1	—	dB
	NF (2)	$V_{CE}=10V, I_C=5mA, f=1GHz$	—	1.1	2	

ELECTRICAL CHARACTERISTICS ( $T_a = 25^\circ C$ )

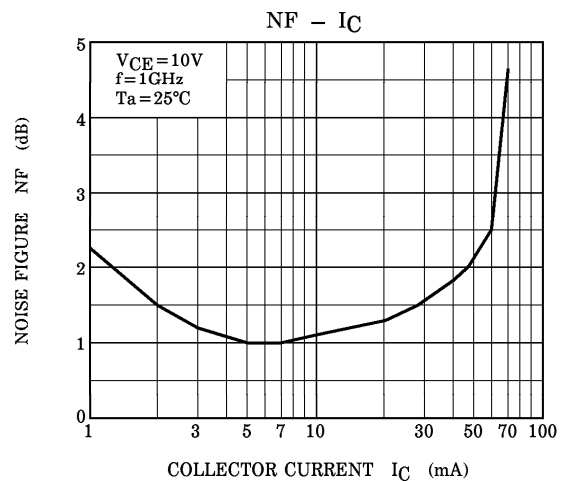
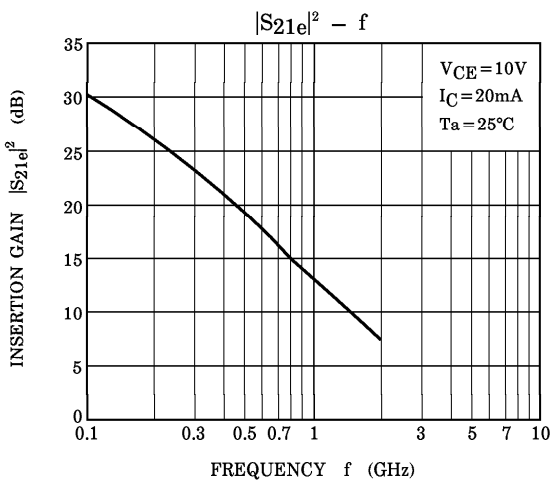
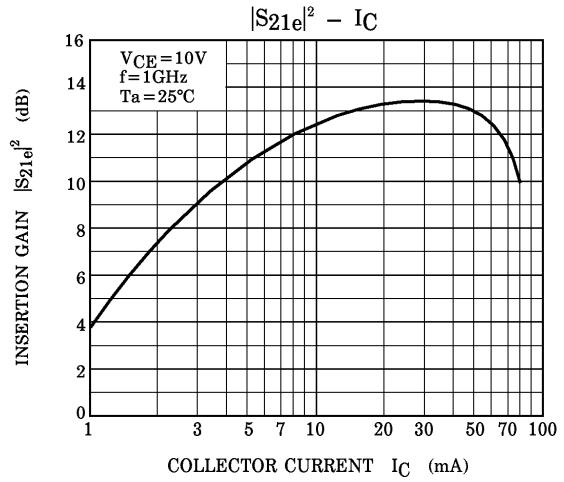
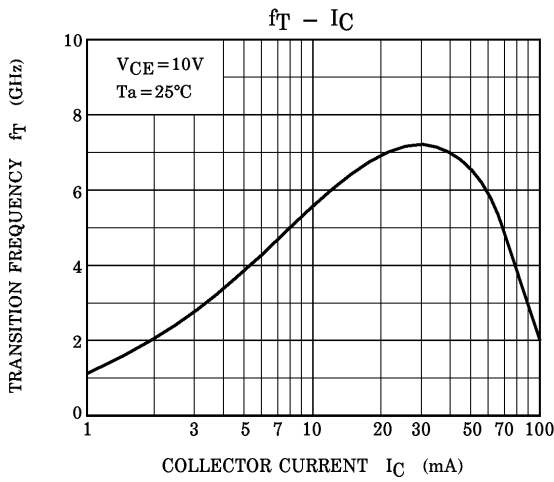
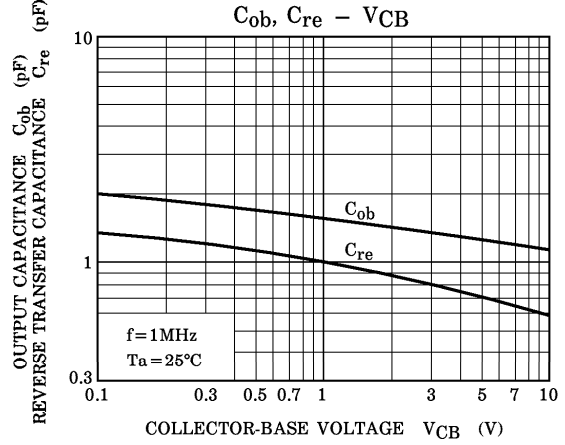
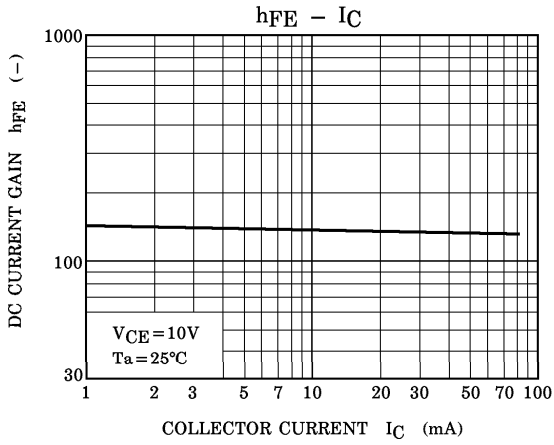
CHARACTERISTIC	SYMBOL	TEST CONDITION	MIN.	TYP.	MAX.	UNIT
Collector Cut-off Current	$I_{CBO}$	$V_{CB}=10V, I_E=0$	—	—	1	$\mu A$
Emitter Cut-off Current	$I_{EBO}$	$V_{EB}=1V, I_C=0$	—	—	1	$\mu A$
DC Current Gain	$h_{FE}$ (Note 1)	$V_{CE}=10V, I_C=20mA$	80	—	240	—
Output Capacitance	$C_{ob}$	$V_{CB}=10V, I_E=0, f=1MHz$	—	1.1	1.6	pF
Reverse Transfer Capacitance	$C_{re}$		(Note 2)	—	0.65	1.05

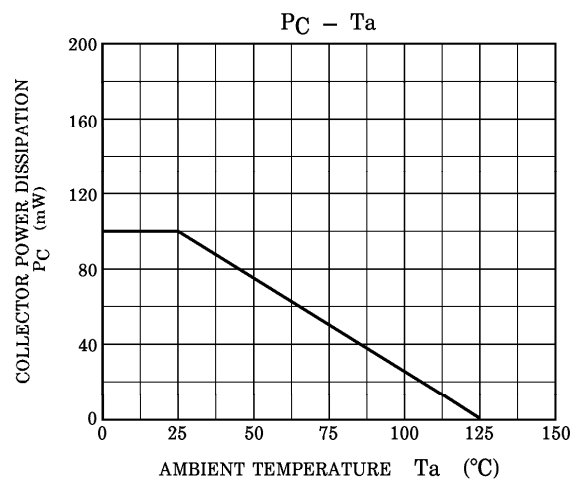
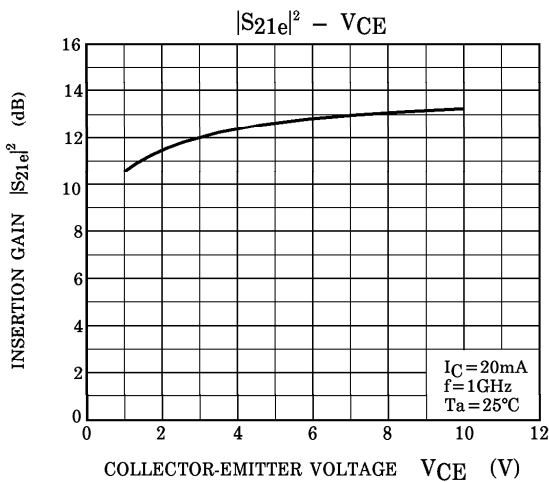
(Note 1)  $h_{FE}$  Classification O : 80~160, Y : 120~240

(Note 2)  $C_{re}$  is measured by 3 terminal method with capacitance bridge.

961001EAA2

- TOSHIBA is continually working to improve the quality and the reliability of its products. Nevertheless, semiconductor devices in general can malfunction or fail due to their inherent electrical sensitivity and vulnerability to physical stress. It is the responsibility of the buyer, when utilizing TOSHIBA products, to observe standards of safety, and to avoid situations in which a malfunction or failure of a TOSHIBA product could cause loss of human life, bodily injury or damage to property. In developing your designs, please ensure that TOSHIBA products are used within specified operating ranges as set forth in the most recent products specifications. Also, please keep in mind the precautions and conditions set forth in the TOSHIBA Semiconductor Reliability Handbook.
- The information contained herein is presented only as a guide for the applications of our products. No responsibility is assumed by TOSHIBA CORPORATION for any infringements of intellectual property or other rights of the third parties which may result from its use. No license is granted by implication or otherwise under any intellectual property or other rights of TOSHIBA CORPORATION or others.
- The information contained herein is subject to change without notice.





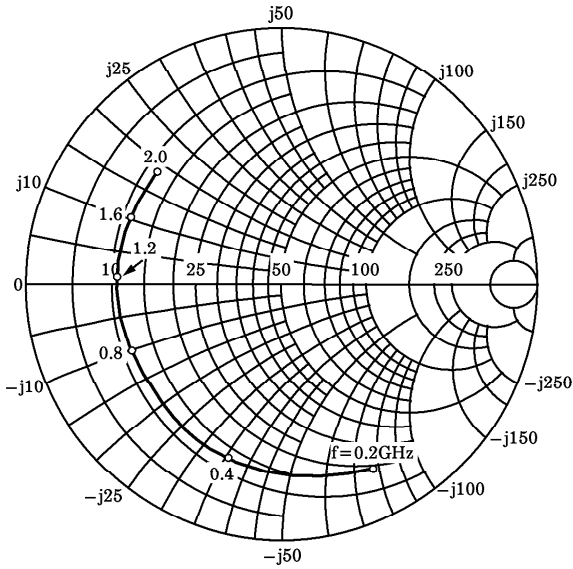
S-Parameter  $Z_0 = 50\Omega$ ,  $T_a = 25^\circ\text{C}$   
 $V_{CE} = 10\text{V}$ ,  $I_C = 5\text{mA}$

frequency (MHz)	S11		S21		S12		S22	
	Mag.	Ang.	Mag.	Ang.	Mag.	Ang.	Mag.	Ang.
200	0.826	-64.3	9.839	139.2	0.056	59.2	0.844	-31.7
400	0.735	-106.8	7.058	115.2	0.083	43.8	0.663	-50.1
600	0.692	-134.4	5.233	99.5	0.094	36.8	0.558	-62.3
800	0.666	-154.3	4.106	88.1	0.100	33.3	0.496	-72.6
1000	0.656	-170.0	3.315	78.9	0.102	32.7	0.458	-81.8
1200	0.653	178.0	2.768	71.3	0.103	33.4	0.429	-90.6
1400	0.649	167.7	2.353	65.4	0.104	36.0	0.407	-99.4
1600	0.655	158.2	2.061	59.6	0.107	39.1	0.393	-107.8
1800	0.653	149.0	1.818	55.3	0.111	42.6	0.378	-115.3
2000	0.654	139.9	1.650	50.7	0.116	46.7	0.367	-121.9

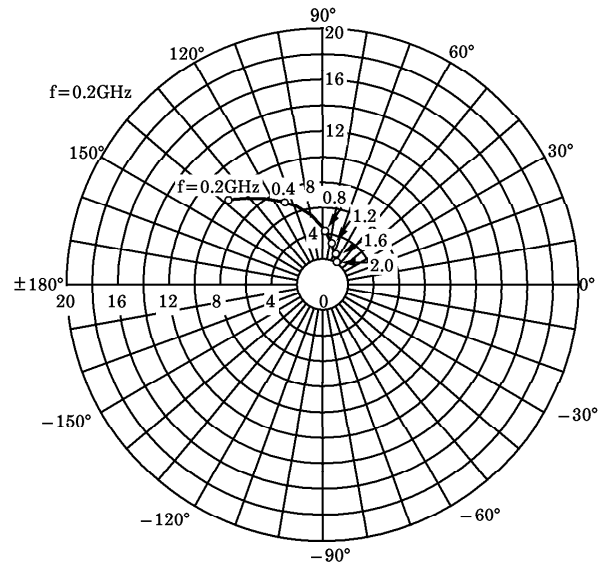
$V_{CE} = 10\text{V}$ ,  $I_C = 20\text{mA}$

frequency (MHz)	S11		S21		S12		S22	
	Mag.	Ang.	Mag.	Ang.	Mag.	Ang.	Mag.	Ang.
200	0.747	-87.0	16.492	129.8	0.048	52.1	0.717	-47.1
400	0.675	-130.5	10.431	106.5	0.063	41.8	0.486	-69.1
600	0.648	-154.8	7.298	93.5	0.070	40.8	0.379	-82.0
800	0.636	-170.9	5.547	84.4	0.076	42.0	0.324	-93.0
1000	0.630	176.7	4.423	77.5	0.083	44.7	0.291	-102.7
1200	0.634	166.4	3.660	71.7	0.089	47.7	0.266	-112.1
1400	0.634	157.1	3.125	67.0	0.097	50.8	0.249	-120.8
1600	0.639	148.8	2.741	62.4	0.105	53.2	0.233	-128.9
1800	0.645	139.9	2.451	58.8	0.115	55.6	0.220	-135.8
2000	0.642	131.4	2.233	54.9	0.126	58.1	0.205	-141.2

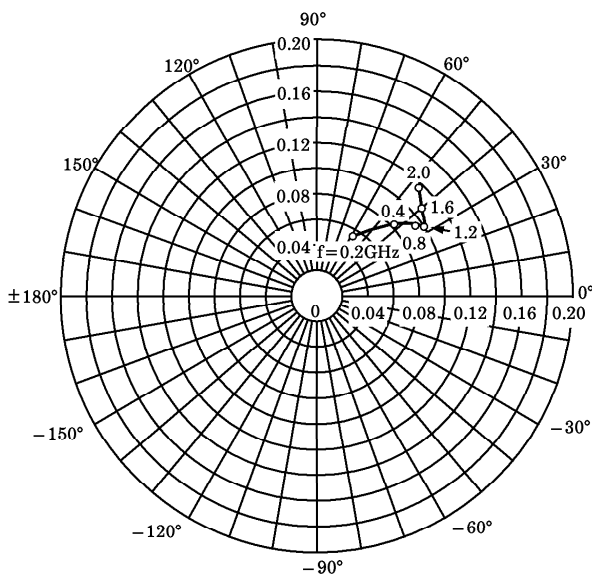
**S<sub>11e</sub>**  
 V<sub>CE</sub>=10V  
 I<sub>C</sub>=5mA  
 T<sub>a</sub>=25°C  
 (Unit : Ω)



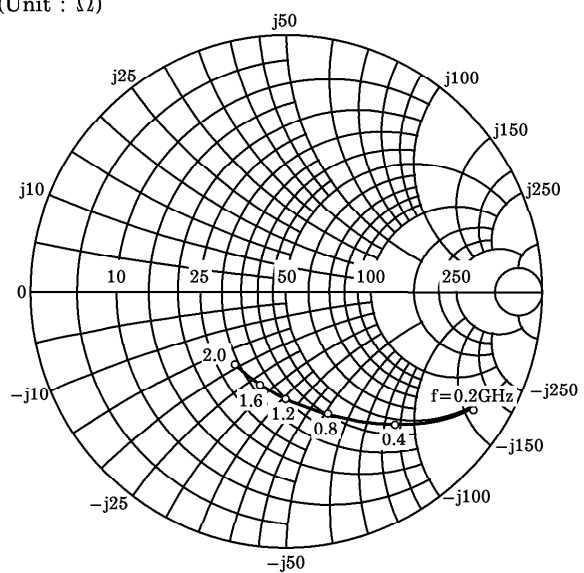
**S<sub>21e</sub>**  
 V<sub>CE</sub>=10V  
 I<sub>C</sub>=5mA  
 T<sub>a</sub>=25°C



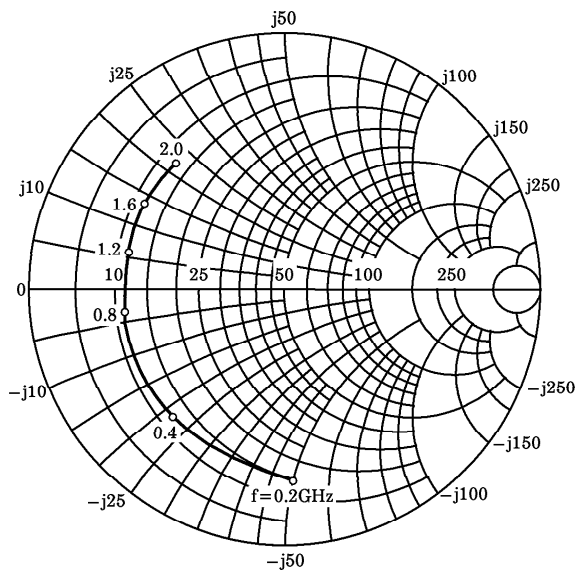
**S<sub>12e</sub>**  
 V<sub>CE</sub>=10V  
 I<sub>C</sub>=5mA  
 T<sub>a</sub>=25°C



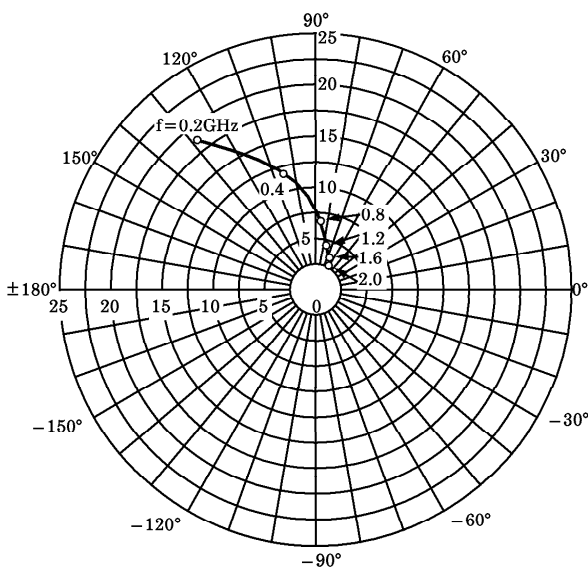
**S<sub>22e</sub>**  
 V<sub>CE</sub>=10V  
 I<sub>C</sub>=5mA  
 T<sub>a</sub>=25°C  
 (Unit : Ω)



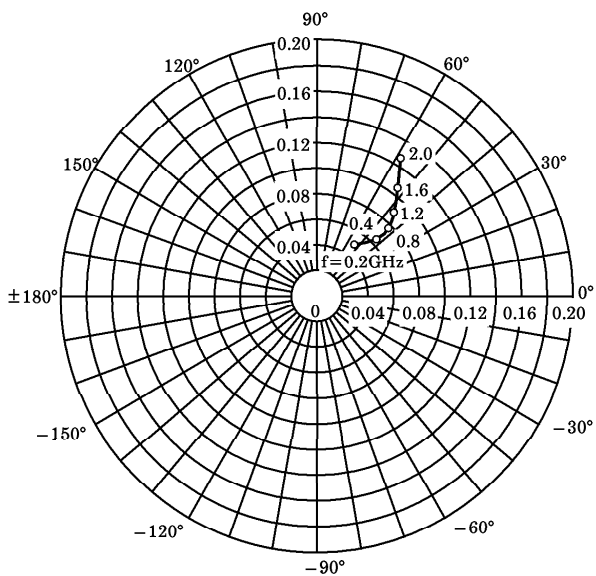
**S<sub>11e</sub>**  
 V<sub>CE</sub> = 10V  
 I<sub>C</sub> = 20mA  
 T<sub>a</sub> = 25°C  
 (Unit : Ω)



**S<sub>21e</sub>**  
 V<sub>CE</sub> = 10V  
 I<sub>C</sub> = 20mA  
 T<sub>a</sub> = 25°C  
 (Unit : Ω)



**S<sub>12e</sub>**  
 V<sub>CE</sub> = 10V  
 I<sub>C</sub> = 20mA  
 T<sub>a</sub> = 25°C



**S<sub>22e</sub>**  
 V<sub>CE</sub> = 10V  
 I<sub>C</sub> = 20mA  
 T<sub>a</sub> = 25°C  
 (Unit : Ω)

